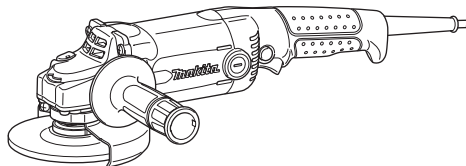




<b>EN</b>	Angle Grinder	INSTRUCTION MANUAL	4
<b>ZHCN</b>	角向磨光机	使用说明书	12
<b>ID</b>	Gerinda Sudut	PETUNJUK PENGGUNAAN	20
<b>MS</b>	Pengisar Sudut	MANUAL ARAHAN	29
<b>VI</b>	Máy Mài Góc Cầm Tay Hoạt Động Bằng Động Cơ Điện	TÀI LIỆU HƯỚNG DẪN	38
<b>TH</b>	เครื่องขัดมุม	คู่มือการใช้งาน	46

**GA5010**  
**GA5011**  
**GA6010**  
**GA6011**



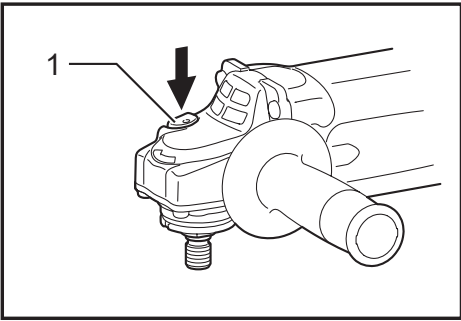


Fig.1

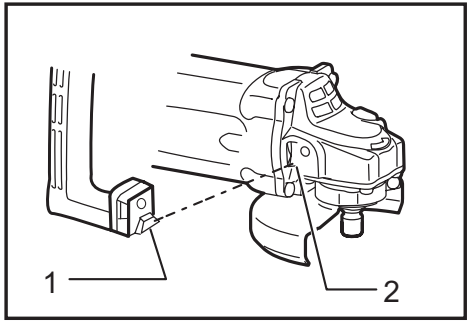


Fig.5

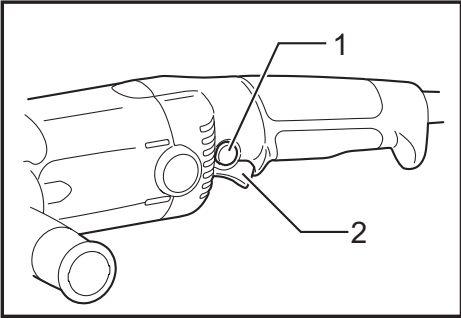


Fig.2

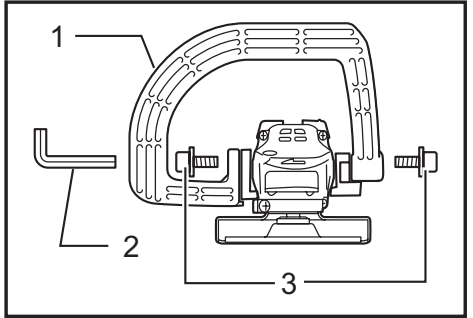


Fig.6

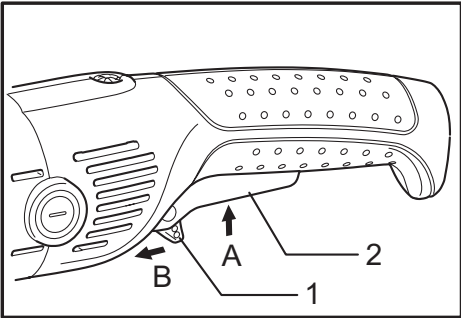


Fig.3

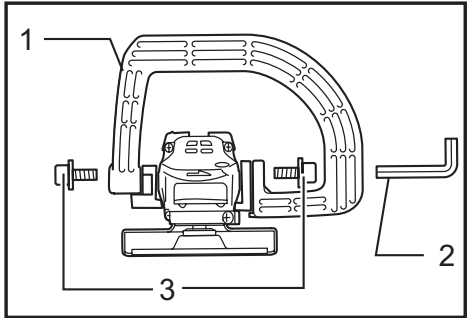


Fig.7

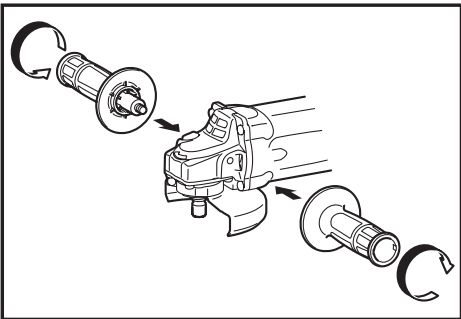


Fig.4

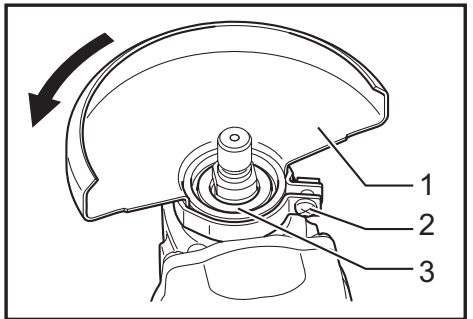


Fig.8

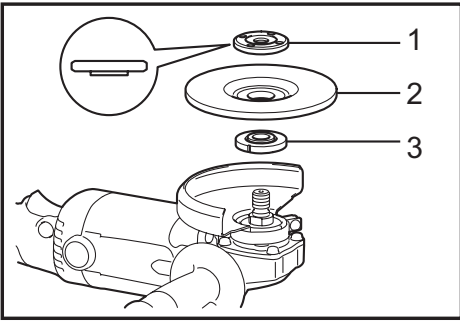


Fig.9

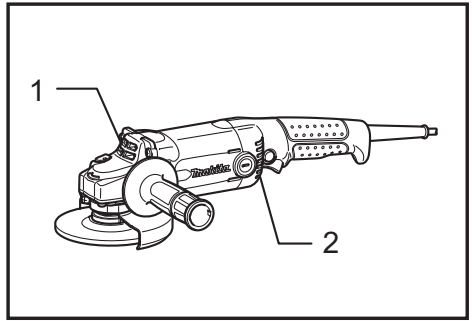


Fig.13

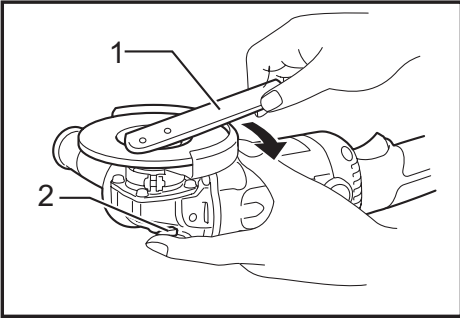


Fig.10

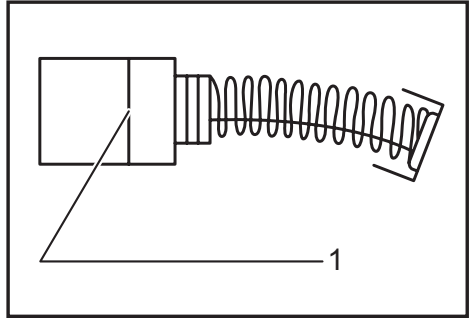


Fig.14

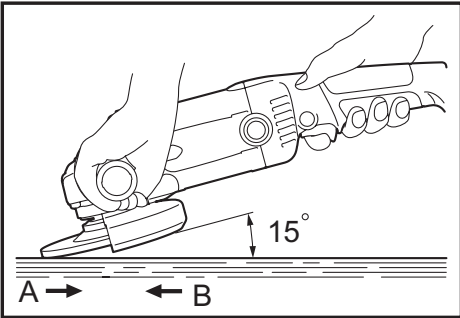


Fig.11

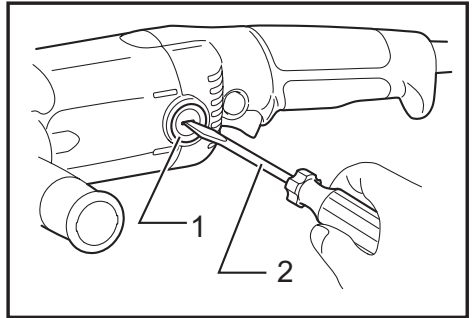


Fig.15

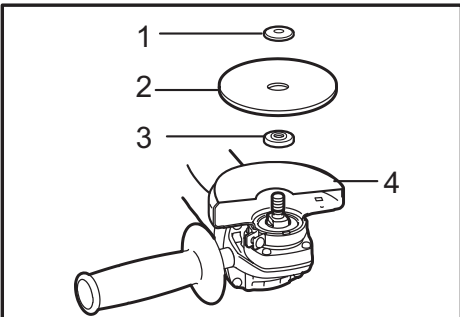



Fig.12





# SPECIFICATIONS

Model	GA5010	GA5011	GA6010	GA6011
Depressed center wheel diameter	125 mm		150 mm	
Max. wheel thickness	6.4 mm	6.4 mm	6.4 mm	6.4 mm
Spindle thread	M14		M14	
Rated speed (n) / No load speed (n <sub>0</sub> )	12,000 min <sup>-1</sup>		10,000 min <sup>-1</sup>	
Overall length	356 mm	384 mm	356 mm	384 mm
Net weight	2.6 kg		2.7 kg	
Safety class				

- Due to our continuing program of research and development, the specifications herein are subject to change without notice.
- Specifications may differ from country to country.
- Weight according to EPTA-Procedure 01/2003

## Symbols

The following show the symbols used for the equipment. Be sure that you understand their meaning before use.

	Read instruction manual.
	DOUBLE INSULATION
	Wear safety glasses.
	Only for EU countries Do not dispose of electric equipment together with household waste material! In observance of the European Directive, on Waste Electric and Electronic Equipment and its implementation in accordance with national law, electric equipment that have reached the end of their life must be collected separately and returned to an environmentally compatible recycling facility.

### Intended use

The tool is intended for grinding, sanding and cutting of metal and stone materials without the use of water.

### Power supply

The tool should be connected only to a power supply of the same voltage as indicated on the nameplate, and can only be operated on single-phase AC supply. They are double-insulated and can, therefore, also be used from sockets without earth wire.

## General Power Tool Safety Warnings

**⚠ WARNING Read all safety warnings and all instructions.** Failure to follow the warnings and instructions may result in electric shock, fire and/or serious injury.

## Save all warnings and instructions for future reference.

The term "power tool" in the warnings refers to your mains-operated (corded) power tool or battery-operated (cordless) power tool.

### Work area safety

1. **Keep work area clean and well lit.** Cluttered or dark areas invite accidents.
2. **Do not operate power tools in explosive atmospheres, such as in the presence of flammable liquids, gases or dust.** Power tools create sparks which may ignite the dust or fumes.
3. **Keep children and bystanders away while operating a power tool.** Distractions can cause you to lose control.

### Electrical safety

4. **Power tool plugs must match the outlet. Never modify the plug in any way. Do not use any adapter plugs with earthed (grounded) power tools.** Unmodified plugs and matching outlets will reduce risk of electric shock.
5. **Avoid body contact with earthed or grounded surfaces such as pipes, radiators, ranges and refrigerators.** There is an increased risk of electric shock if your body is earthed or grounded.
6. **Do not expose power tools to rain or wet conditions.** Water entering a power tool will increase the risk of electric shock.
7. **Do not abuse the cord. Never use the cord for carrying, pulling or unplugging the power tool. Keep cord away from heat, oil, sharp edges or moving parts.** Damaged or entangled cords increase the risk of electric shock.
8. **When operating a power tool outdoors, use an extension cord suitable for outdoor use.** Use of a cord suitable for outdoor use reduces the risk of electric shock.

9. **If operating a power tool in a damp location is unavoidable, use a residual current device (RCD) protected supply.** Use of an RCD reduces the risk of electric shock.
10. **Use of power supply via a RCD with a rated residual current of 30 mA or less is always recommended.**

#### Personal safety

11. **Stay alert, watch what you are doing and use common sense when operating a power tool. Do not use a power tool while you are tired or under the influence of drugs, alcohol or medication.** A moment of inattention while operating power tools may result in serious personal injury.
12. **Use personal protective equipment. Always wear eye protection.** Protective equipment such as dust mask, non-skid safety shoes, hard hat, or hearing protection used for appropriate conditions will reduce personal injuries.
13. **Prevent unintentional starting. Ensure the switch is in the off-position before connecting to power source and/or battery pack, picking up or carrying the tool.** Carrying power tools with your finger on the switch or energising power tools that have the switch on invites accidents.
14. **Remove any adjusting key or wrench before turning the power tool on.** A wrench or a key left attached to a rotating part of the power tool may result in personal injury.
15. **Do not overreach. Keep proper footing and balance at all times.** This enables better control of the power tool in unexpected situations.
16. **Dress properly. Do not wear loose clothing or jewellery. Keep your hair, clothing, and gloves away from moving parts.** Loose clothes, jewellery or long hair can be caught in moving parts.
17. **If devices are provided for the connection of dust extraction and collection facilities, ensure these are connected and properly used.** Use of dust collection can reduce dust-related hazards.

#### Power tool use and care

18. **Do not force the power tool. Use the correct power tool for your application.** The correct power tool will do the job better and safer at the rate for which it was designed.
19. **Do not use the power tool if the switch does not turn it on and off.** Any power tool that cannot be controlled with the switch is dangerous and must be repaired.
20. **Disconnect the plug from the power source and/or the battery pack from the power tool before making any adjustments, changing accessories, or storing power tools.** Such preventive safety measures reduce the risk of starting the power tool accidentally.
21. **Store idle power tools out of the reach of children and do not allow persons unfamiliar with the power tool or these instructions to operate the power tool.** Power tools are dangerous in the hands of untrained users.

22. **Maintain power tools. Check for misalignment or binding of moving parts, breakage of parts and any other condition that may affect the power tool's operation. If damaged, have the power tool repaired before use.** Many accidents are caused by poorly maintained power tools.
23. **Keep cutting tools sharp and clean.** Properly maintained cutting tools with sharp cutting edges are less likely to bind and are easier to control.
24. **Use the power tool, accessories and tool bits etc. in accordance with these instructions, taking into account the working conditions and the work to be performed.** Use of the power tool for operations different from those intended could result in a hazardous situation.

#### Service

25. **Have your power tool serviced by a qualified repair person using only identical replacement parts.** This will ensure that the safety of the power tool is maintained.
26. **Follow instruction for lubricating and changing accessories.**
27. **Keep handles dry, clean and free from oil and grease.**

## GRINDER SAFETY WARNINGS

### Safety Warnings Common for Grinding, Sanding, Wire Brushing, or Abrasive Cutting-Off Operations:

1. **This power tool is intended to function as a grinder, sander, wire brush or cut-off tool. Read all safety warnings, instructions, illustrations and specifications provided with this power tool.** Failure to follow all instructions listed below may result in electric shock, fire and/or serious injury.
2. **Operations such as polishing are not recommended to be performed with this power tool.** Operations for which the power tool was not designed may create a hazard and cause personal injury.
3. **Do not use accessories which are not specifically designed and recommended by the tool manufacturer.** Just because the accessory can be attached to your power tool, it does not assure safe operation.
4. **The rated speed of the accessory must be at least equal to the maximum speed marked on the power tool.** Accessories running faster than their rated speed can break and fly apart.
5. **The outside diameter and the thickness of your accessory must be within the capacity rating of your power tool.** Incorrectly sized accessories cannot be adequately guarded or controlled.
6. **Threaded mounting of accessories must match the grinder spindle thread. For accessories mounted by flanges, the arbour hole of the accessory must fit the locating diameter of the flange.** Accessories that do not match the mounting hardware of the power tool will run out of balance, vibrate excessively and may cause loss of control.

7. **Do not use a damaged accessory. Before each use inspect the accessory such as abrasive wheels for chips and cracks, backing pad for cracks, tear or excess wear, wire brush for loose or cracked wires. If power tool or accessory is dropped, inspect for damage or install an undamaged accessory. After inspecting and installing an accessory, position yourself and bystanders away from the plane of the rotating accessory and run the power tool at maximum no-load speed for one minute.** Damaged accessories will normally break apart during this test time.
8. **Wear personal protective equipment. Depending on application, use face shield, safety goggles or safety glasses. As appropriate, wear dust mask, hearing protectors, gloves and workshop apron capable of stopping small abrasive or workpiece fragments.** The eye protection must be capable of stopping flying debris generated by various operations. The dust mask or respirator must be capable of filtering particles generated by your operation. Prolonged exposure to high intensity noise may cause hearing loss.
9. **Keep bystanders a safe distance away from work area. Anyone entering the work area must wear personal protective equipment.** Fragments of workpiece or of a broken accessory may fly away and cause injury beyond immediate area of operation.
10. **Hold the power tool by insulated gripping surfaces only, when performing an operation where the cutting accessory may contact hidden wiring or its own cord.** Cutting accessory contacting a "live" wire may make exposed metal parts of the power tool "live" and could give the operator an electric shock.
11. **Position the cord clear of the spinning accessory.** If you lose control, the cord may be cut or snagged and your hand or arm may be pulled into the spinning accessory.
12. **Never lay the power tool down until the accessory has come to a complete stop.** The spinning accessory may grab the surface and pull the power tool out of your control.
13. **Do not run the power tool while carrying it at your side.** Accidental contact with the spinning accessory could snag your clothing, pulling the accessory into your body.
14. **Regularly clean the power tool's air vents.** The motor's fan will draw the dust inside the housing and excessive accumulation of powdered metal may cause electrical hazards.
15. **Do not operate the power tool near flammable materials.** Sparks could ignite these materials.
16. **Do not use accessories that require liquid coolants.** Using water or other liquid coolants may result in electrocution or shock.

### Kickback and Related Warnings

Kickback is a sudden reaction to a pinched or snagged rotating wheel, backing pad, brush or any other accessory. Pinching or snagging causes rapid stalling of the rotating accessory which in turn causes the uncontrolled power tool to be forced in the direction opposite of the accessory's rotation at the point of the binding. For example, if an abrasive wheel is snagged or pinched by the workpiece, the edge of the wheel that is entering into the pinch point can dig into the surface of the material causing the wheel to climb out or kick out. The wheel may either jump toward or away from the operator, depending on direction of the wheel's movement at the point of pinching. Abrasive wheels may also break under these conditions.

Kickback is the result of power tool misuse and/or incorrect operating procedures or conditions and can be avoided by taking proper precautions as given below.

- a) **Maintain a firm grip on the power tool and position your body and arm to allow you to resist kickback forces. Always use auxiliary handle, if provided, for maximum control over kickback or torque reaction during start-up.** The operator can control torque reactions or kickback forces, if proper precautions are taken.
- b) **Never place your hand near the rotating accessory.** Accessory may kickback over your hand.
- c) **Do not position your body in the area where power tool will move if kickback occurs.** Kickback will propel the tool in direction opposite to the wheel's movement at the point of snagging.
- d) **Use special care when working corners, sharp edges etc. Avoid bouncing and snagging the accessory.** Corners, sharp edges or bouncing have a tendency to snag the rotating accessory and cause loss of control or kickback.
- e) **Do not attach a saw chain woodcarving blade or toothed saw blade.** Such blades create frequent kickback and loss of control.

### Safety Warnings Specific for Grinding and Abrasive Cutting-Off Operations:

- a) **Use only wheel types that are recommended for your power tool and the specific guard designed for the selected wheel.** Wheels for which the power tool was not designed cannot be adequately guarded and are unsafe.
- b) **The grinding surface of centre depressed wheels must be mounted below the plane of the guard lip.** An improperly mounted wheel that projects through the plane of the guard lip cannot be adequately protected.
- c) **The guard must be securely attached to the power tool and positioned for maximum safety, so the least amount of wheel is exposed towards the operator.** The guard helps to protect the operator from broken wheel fragments, accidental contact with wheel and sparks that could ignite clothing.
- d) **Wheels must be used only for recommended applications. For example: do not grind with the side of cut-off wheel.** Abrasive cut-off wheels are intended for peripheral grinding, side forces applied to these wheels may cause them to shatter.

e) **Always use undamaged wheel flanges that are of correct size and shape for your selected wheel.** Proper wheel flanges support the wheel thus reducing the possibility of wheel breakage. Flanges for cut-off wheels may be different from grinding wheel flanges.

f) **Do not use worn down wheels from larger power tools.** Wheel intended for larger power tool is not suitable for the higher speed of a smaller tool and may burst.

#### **Additional Safety Warnings Specific for Abrasive Cutting-Off Operations:**

a) **Do not “jam” the cut-off wheel or apply excessive pressure. Do not attempt to make an excessive depth of cut.** Overstressing the wheel increases the loading and susceptibility to twisting or binding of the wheel in the cut and the possibility of kickback or wheel breakage.

b) **Do not position your body in line with and behind the rotating wheel.** When the wheel, at the point of operation, is moving away from your body, the possible kickback may propel the spinning wheel and the power tool directly at you.

c) **When wheel is binding or when interrupting a cut for any reason, switch off the power tool and hold the power tool motionless until the wheel comes to a complete stop. Never attempt to remove the cut-off wheel from the cut while the wheel is in motion otherwise kickback may occur.** Investigate and take corrective action to eliminate the cause of wheel binding.

d) **Do not restart the cutting operation in the workpiece. Let the wheel reach full speed and carefully reenter the cut.** The wheel may bind, walk up or kickback if the power tool is restarted in the workpiece.

e) **Support panels or any oversized workpiece to minimize the risk of wheel pinching and kickback.** Large workpieces tend to sag under their own weight. Supports must be placed under the workpiece near the line of cut and near the edge of the workpiece on both sides of the wheel.

f) **Use extra caution when making a “pocket cut” into existing walls or other blind areas.** The protruding wheel may cut gas or water pipes, electrical wiring or objects that can cause kickback.

#### **Safety Warnings Specific for Sanding Operations:**

a) **Do not use excessively oversized sanding disc paper. Follow manufacturers recommendations, when selecting sanding paper.** Larger sanding paper extending beyond the sanding pad presents a laceration hazard and may cause snagging, tearing of the disc or kickback.

#### **Safety Warnings Specific for Wire Brushing Operations:**

a) **Be aware that wire bristles are thrown by the brush even during ordinary operation. Do not overstress the wires by applying excessive load to the brush.** The wire bristles can easily penetrate light clothing and/or skin.

b) **If the use of a guard is recommended for wire brushing, do not allow any interference of the wire wheel or brush with the guard.** Wire wheel or brush may expand in diameter due to work load and centrifugal forces.

#### **Additional Safety Warnings:**

17. **When using depressed centre grinding wheels, be sure to use only fiberglass-reinforced wheels.**
18. **NEVER USE Stone Cup type wheels with this grinder.** This grinder is not designed for these types of wheels and the use of such a product may result in serious personal injury.
19. **Be careful not to damage the spindle, the flange (especially the installing surface) or the lock nut.** Damage to these parts could result in wheel breakage.
20. **Make sure the wheel is not contacting the workpiece before the switch is turned on.**
21. **Before using the tool on an actual workpiece, let it run for a while. Watch for vibration or wobbling that could indicate poor installation or a poorly balanced wheel.**
22. **Use the specified surface of the wheel to perform the grinding.**
23. **Do not leave the tool running. Operate the tool only when hand-held.**
24. **Do not touch the workpiece immediately after operation; it may be extremely hot and could burn your skin.**
25. **Observe the instructions of the manufacturer for correct mounting and use of wheels. Handle and store wheels with care.**
26. **Do not use separate reducing bushings or adaptors to adapt large hole abrasive wheels.**
27. **Use only flanges specified for this tool.**
28. **For tools intended to be fitted with threaded hole wheel, ensure that the thread in the wheel is long enough to accept the spindle length.**
29. **Check that the workpiece is properly supported.**
30. **Pay attention that the wheel continues to rotate after the tool is switched off.**
31. **If working place is extremely hot and humid, or badly polluted by conductive dust, use a short-circuit breaker (30 mA) to assure operator safety.**
32. **Do not use the tool on any materials containing asbestos.**
33. **When use cut-off wheel, always work with the dust collecting wheel guard required by domestic regulation.**
34. **Cutting discs must not be subjected to any lateral pressure.**
35. **Do not use cloth work gloves during operation.** Fibers from cloth gloves may enter the tool, which causes tool breakage.

## **SAVE THESE INSTRUCTIONS.**

**⚠WARNING: DO NOT let comfort or familiarity with product (gained from repeated use) replace strict adherence to safety rules for the subject product. MISUSE or failure to follow the safety rules stated in this instruction manual may cause serious personal injury.**

## FUNCTIONAL DESCRIPTION

### ⚠ CAUTION:

- Always be sure that the tool is switched off and unplugged before adjusting or checking function on the tool.

### Shaft lock

► Fig.1: 1. Shaft lock

### ⚠ CAUTION:

- Never actuate the shaft lock when the spindle is moving. The tool may be damaged.

Press the shaft lock to prevent spindle rotation when installing or removing accessories.

### Switch action

### ⚠ CAUTION:

- Before plugging in the tool, always check to see that the switch trigger actuates properly and returns to the "OFF" position when released.

### For tool with type A switch trigger

► Fig.2: 1. Lock button / Lock-off button 2. Switch trigger

### For tool without lock button and lock-off button

To start the tool, simply pull the switch trigger. Release the switch trigger to stop.

### For tool with lock button

To start the tool, simply pull the switch trigger. Release the switch trigger to stop.

For continuous operation, pull the switch trigger and then push in the lock button.

To stop the tool from the locked position, pull the switch trigger fully, then release it.

### For tool with lock-off button

To prevent the switch trigger from being accidentally pulled, a lock-off button is provided.

To start the tool, depress the lock-off button and pull the switch trigger. Release the switch trigger to stop.

### For tool with type B switch trigger

► Fig.3: 1. Lock lever 2. Switch trigger

### For tool with the lock-on switch

To start the tool, simply pull the switch trigger (A). Release the switch trigger to stop. For continuous operation, pull the switch trigger (A) and then push in the lock lever (B). To stop the tool from the locked position, pull the switch trigger (A) fully, then release it.

### For tool with the lock-off switch

To prevent the switch trigger from accidentally pulled, a lock lever is provided. To start the tool, push in the lock lever (B) and then pull the switch trigger (A). Release the switch trigger to stop.

### For tool with the lock on and lock-off switch

To prevent the switch trigger from accidentally pulled, a lock lever is provided. To start the tool, push in the lock lever (B) and then pull the switch trigger (A). Release the switch trigger to stop. For continuous operation, push in the lock lever (B), pull the switch trigger and then push the lock lever further in (B). To stop the tool from the locked position, pull the switch trigger (A) fully, then release it.

## ASSEMBLY

### ⚠ CAUTION:

- Always be sure that the tool is switched off and unplugged before carrying out any work on the tool.

### Installing side grip (handle)

### ⚠ CAUTION:

- Always be sure that the side grip is installed securely before operation.

► Fig.4

Screw the side grip securely on the position of the tool as shown in the figure.

### Installing loop handle (Optional accessory)

### ⚠ CAUTION:

- Always be sure that the loop handle is installed securely before operation.

► Fig.5: 1. Protrusion of loop handle 2. Matching hole in gear housing

Always install the loop handle on the tool before operation. Hold the tool's switch handle and the loop handle firmly with both hands during operation.

Install the loop handle so that its protrusion will fit into the matching hole in the gear housing.

Install the bolts and tighten them with the hex wrench. The loop handle can be installed in two different directions as shown in the figures whichever is convenient for your work.

► Fig.6: 1. Loop handle 2. Hex wrench 3. Bolt

► Fig.7: 1. Loop handle 2. Hex wrench 3. Bolt



## Installing or removing wheel guard (For depressed center wheel, multi disc / abrasive cut-off wheel, diamond wheel)

### For tool with locking screw type wheel guard

#### **⚠ CAUTION:**

- When using a depressed center grinding wheel/ Multi-disc, wire wheel brush or cut-off wheel, the wheel guard must be fitted on the tool so that the closed side of the guard always points toward the operator.

► **Fig.8:** 1. Wheel guard 2. Screw 3. Bearing box

Mount the wheel guard with the protrusion on the wheel guard band aligned with the notch on the bearing box. Then rotate the wheel guard around 180 degrees counterclockwise. Be sure to tighten the screw securely. To remove wheel guard, follow the installation procedure in reverse.

## Installing or removing depressed center grinding wheel/Multi-disc (optional accessory)

#### **⚠ WARNING:**

- Always use supplied guard when depressed center grinding wheel/Multi-disc is on tool. Wheel can shatter during use and guard helps to reduce chances of personal injury.

► **Fig.9:** 1. Lock nut 2. Depressed center grinding wheel/Multi-disc 3. Inner flange

Mount the inner flange onto the spindle. Fit the wheel/disc on the inner flange and screw the lock nut onto the spindle.

To tighten the lock nut, press the shaft lock firmly so that the spindle cannot revolve, then use the lock nut wrench and securely tighten clockwise.

► **Fig.10:** 1. Lock nut wrench 2. Shaft lock

To remove the wheel, follow the installation procedure in reverse.

## OPERATION

#### **⚠ WARNING:**

- It should never be necessary to force the tool. The weight of the tool applies adequate pressure. Forcing and excessive pressure could cause dangerous wheel breakage.
- ALWAYS replace wheel if tool is dropped while grinding.
- NEVER bang or hit grinding disc or wheel onto work.
- Avoid bouncing and snagging the wheel, especially when working corners, sharp edges etc. This can cause loss of control and kickback.
- NEVER use tool with wood cutting blades and other sawblades. Such blades when used on a grinder frequently kick and cause loss of control leading to personal injury.

#### **⚠ CAUTION:**

- After operation, always switch off the tool and wait until the wheel has come to a complete stop before putting the tool down.

## Grinding and sanding operation

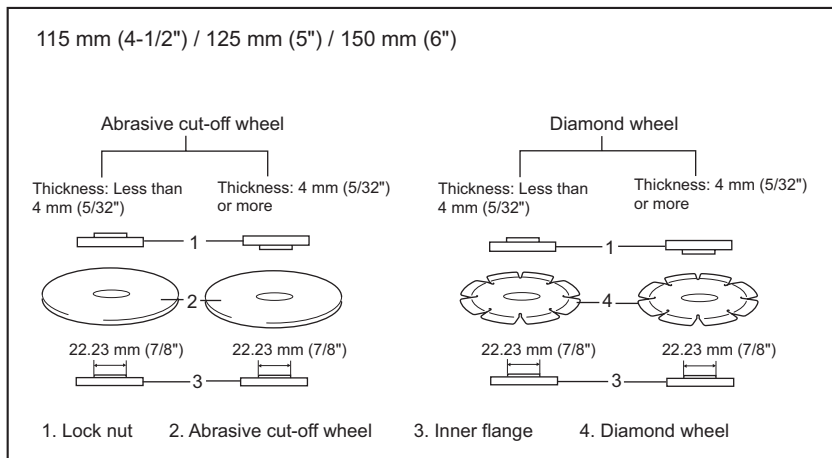
► **Fig.11**

ALWAYS hold the tool firmly with one hand on rear handle and the other on the side handle. Turn the tool on and then apply the wheel or disc to the workpiece. In general, keep the edge of the wheel or disc at an angle of about 15 degrees to the workpiece surface. During the break-in period with a new wheel, do not work the grinder in the B direction or it will cut into the workpiece. Once the edge of the wheel has been rounded off by use, the wheel may be worked in both A and B direction.

## Operation with abrasive cut-off / diamond wheel (optional accessory)

► **Fig.12:** 1. Lock nut 2. Abrasive cut-off wheel/diamond wheel 3. Inner flange 4. Wheel guard for abrasive cut-off wheel/diamond wheel

The direction for mounting the lock nut and the inner flange varies by wheel thickness. Refer to the table below.



### ⚠ **WARNING:**

- When using an abrasive cut-off / diamond wheel, be sure to use only the special wheel guard designed for use with cut-off wheels.
- NEVER use cut-off wheel for side grinding.
- Do not "jam" the wheel or apply excessive pressure. Do not attempt to make an excessive depth of cut. Overstressing the wheel increases the loading and susceptibility to twisting or binding of the wheel in the cut and the possibility of kickback, wheel breakage and overheating of the motor may occur.
- Do not start the cutting operation in the workpiece. Let the wheel reach full speed and carefully enter into the cut moving the tool forward over the workpiece surface. The wheel may bind, walk up or kickback if the power tool is started in the workpiece.
- During cutting operations, never change the angle of the wheel. Placing side pressure on the cut-off wheel (as in grinding) will cause the wheel to crack and break, causing serious personal injury.
- A diamond wheel shall be operated perpendicular to the material being cut.

## MAINTENANCE

### ⚠ **CAUTION:**

- Always be sure that the tool is switched off and unplugged before attempting to perform inspection or maintenance.
- Never use gasoline, benzine, thinner, alcohol or the like. Discoloration, deformation or cracks may result.

The tool and its air vents have to be kept clean. Regularly clean the tool's air vents or whenever the vents start to become obstructed.

► **Fig.13:** 1. Exhaust vent 2. Inhalation vent

## Replacing carbon brushes

► **Fig.14:** 1. Limit mark

Remove and check the cutting carbon brushes regularly. Replace when they wear down to the limit mark. Keep the carbon brushes clean and free to slip in the holders. Both carbon brushes should be replaced at the same time. Use only identical carbon brushes. Use a screwdriver to remove the brush holder caps. Take out the worn carbon brushes, insert the new ones and secure the brush holder caps.

► **Fig.15:** 1. Brush holder cap 2. Screwdriver

To maintain product SAFETY and RELIABILITY, repairs, any other maintenance or adjustment should be performed by Makita Authorized Service Centers, always using Makita replacement parts.

# OPTIONAL ACCESSORIES

## **⚠ CAUTION:**

- These accessories or attachments are recommended for use with your Makita tool specified in this manual. The use of any other accessories or attachments might present a risk of injury to persons. Only use accessory or attachment for its stated purpose.
- Your tool is supplied with a guard for use with a depressed center grinding wheel, multi-disc and wire wheel brush. A cut-off wheel can also be used with an optional guard. If you decide to use your Makita grinder with approved accessories which you purchase from your Makita distributor or service center, be sure to obtain and use all necessary fasteners and guards as recommended in this manual. Your failure to do so could result in personal injury to you and others.

If you need any assistance for more details regarding these accessories, ask your local Makita Service Center.

- Wheel guard (wheel cover) for depressed center wheel / multi disc
- Wheel guard (wheel cover) for abrasive cut-off wheel / diamond wheel
- Depressed center wheels
- Abrasive cut-off wheels
- Multi discs
- Diamond wheels
- Wire cup brushes
- Wire bevel brush 85
- Abrasive discs
- Inner flange
- Lock nut for depressed center wheel / abrasive cut-off wheel / multi disc / diamond wheel
- Lock nut for abrasive disc
- Lock nut wrench
- Side grip
- Rubber pad
- Dust cover attachment

## **NOTE:**

- Some items in the list may be included in the tool package as standard accessories. They may differ from country to country.

## 规格

型号	GA5010	GA5011	GA6010	GA6011
钹形砂轮直径	125 mm		150 mm	
最大砂轮厚度	6.4 mm	6.4 mm	6.4 mm	6.4 mm
主轴螺纹	M14		M14	
额定速度 (n) / 空载速度 (n <sub>0</sub> )	12,000 r/min		10,000 r/min	
长度	356 mm	384 mm	356 mm	384 mm
净重	2.6 kg		2.7 kg	
安全等级	回/II			

- 生产者保留变更规格不另行通知之权利。
- 规格可能因销往国家之不同而异。
- 重量符合EPTA-Procedure 01/2003

## 符号

以下显示本工具使用的符号。在使用工具之前请务必理解其含义。



阅读使用说明书。



II类工具



佩带安全眼镜。



仅限于欧盟国家  
请勿将电气设备与家庭普通废弃物一同丢弃！  
请务必遵守欧洲关于废弃电子电气设备的指令，根据各国法律法规执行。达到使用寿命的电气设备必须分类回收至符合环境保护规定的再循环机构。

## 用途

本工具用于在无水的情况下进行金属和石块材料的磨削、砂磨和切割。

## 电源

本工具只可连接电压与铭牌所示电压相同的电源，且仅可使用单相交流电源。本工具双重绝缘，因此也可用于不带接地线的插座。

## 电动工具通用安全警告

**警告！** 阅读所有警告和所有说明。不遵照以下警告和说明会导致电击、着火和 / 或严重伤害。

## 保存所有警告和说明书以备查阅。

在所有下列的警告中术语“电动工具”指市电驱动（有线）电动工具或电池驱动（无线）电动工具。

### 工作场地的安全

1. 保持工作场地清洁和明亮。混乱和黑暗的场地会引发事故。
2. 不要在易爆环境，如有易燃液体、气体或粉尘的环境下操作电动工具。电动工具产生的火花会点燃粉尘或气体。
3. 让儿童和旁观者离开后操作电动工具。注意力不集中会使操作者失去对工具的控制。

### 电气安全

4. 电动工具插头必须与插座相配。绝不能以任何方式改装插头。需接地的电动工具不能使用任何转换插头。未经改装的插头和相配的插座将减少电击危险。
5. 避免人体接触接地表面，如管道、散热片和冰箱。如果你身体接地会增加电击危险。
6. 不得将电动工具暴露在雨中或潮湿环境中。水进入电动工具将增加电击危险。

7. 不得滥用电线。绝不能用电线搬运、拉动电动工具或拔出其插头。使电线远离热源、油、锐边或运动部件。受损或缠绕的软线会增加电击危险。
8. 当在户外使用电动工具时，使用适合户外使用的外接软线。适合户外使用的软线将减少电击危险。
9. 如果在潮湿环境下操作电动工具是不可避免的，应使用剩余电流动作保护器（RCD）。使用RCD可减少电击危险。
10. 始终建议通过额定剩余电流为30mA或以下的RCD来使用电源。

#### 人身安全

11. 保持警觉，当操作电动工具时关注所从事的操作并保持清醒。当你感到疲倦，或在有药物、酒精或治疗反应时，不要操作电动工具。在操作电动工具时瞬间的疏忽会导致严重人身伤害。
12. 使用个人防护装置。始终佩戴护目镜。安全装置，诸如适当条件下使用防尘面具、防滑安全鞋、安全帽、听力防护等装置能减少人身伤害。
13. 防止意外启动。确保开关在连接电源和/或电池盒、拿起或搬运工具时处于关闭位置。手指放在已接通电源的开关上或开关处于接通时插入插头可能会导致危险。
14. 在电动工具接通之前，拿掉所有调节钥匙或扳手。遗留在电动工具旋转零件上的扳手或钥匙会导致人身伤害。
15. 手不要伸展得太长。时刻注意立足点和身体平衡。这样在意外情况下能很好地控制电动工具。
16. 着装适当。不要穿宽松衣服或佩戴饰品。让衣服、手套和头发远离运动部件。宽松衣服、配饰或长发可能会卷入运动部件中。
17. 如果提供了与排屑、集尘设备连接用的装置，要确保他们连接完好且使用得当。使用这些装置可减少尘屑引起的危险。

#### 电动工具使用和注意事项

18. 不要滥用电动工具，根据用途使用适当的电动工具。选用适当设计的电动工具会使你工作更有效、更安全。
19. 如果开关不能接通或关断工具电源，则不能使用该电动工具。不能用开关来控制的电动工具是危险的且必须进行修理。
20. 在进行任何调节、更换附件或贮存电动工具之前，必须从电源上拔掉插头和/或使电池盒与工具脱离。这种防护性措施将减少工具意外启动的危险。

21. 将闲置不用的电动工具贮存在儿童所及范围之外，并且不要让不熟悉电动工具或对这些说明不了解的人操作电动工具。电动工具在未经培训的用户手中是危险的。
22. 保养电动工具。检查运动件是否调整到位或卡住，检查零件破损情况和影响电动工具运行的其他状况。如有损坏，电动工具应在使用前修理好。许多事故由维护不良的电动工具引发。
23. 保持切削刀具锋利和清洁。保养良好的有锋利切削刃的刀具不易卡住而且容易控制。
24. 按照使用说明书，考虑作业条件和进行的作业来使用电动工具、附件和工具的刀头等。将电动工具用于那些与其用途不符的操作可能会导致危险。

#### 维修

25. 将你的电动工具送交专业维修人员，使用同样的备件进行修理。这样将确保所维修的电动工具的安全性。
26. 上润滑油及更换附件时请遵循本说明书指示。
27. 手柄务必保持干燥、清洁、无油（脂）。

### 磨光机安全警告

适用于磨削、砂磨、用钢丝刷清理或砂轮切割操作的安全警告：

1. 本电动工具用作磨光机、砂光机、钢丝刷或切断机。请通读本电动工具附带的所有安全警告、说明、插图和规格。若不遵循下列说明，则可能导致触电、起火和/或严重的人身伤害。
2. 最好不要将本工具用于抛光等操作。进行非本工具设计用途的操作可能会有危险并导致人身伤害。
3. 请勿使用非专用的或未得到工具制造商推荐的附件。这样的附件虽然可安装到电动工具上，但无法确保操作安全。
4. 附件的额定速度必须至少等同于电动工具上标示的最大速度。当运转速度大于额定速度时，附件可能会破裂并飞出。
5. 附件的外径和厚度必须在工具的额定能力之内。尺寸不正确的附件将无法安全操控。
6. 螺纹安装的配件必须符合磨光机的主轴螺纹。对于使用法兰安装的配件，附件的轴孔必须符合法兰的定位直径。与本电动工具的安装硬件不匹配的附件将失去平衡，振动过度并可能导致失控。

7. 请勿使用损坏的附件。在每次使用之前，请检查附件，如砂轮有无碎片和裂缝，垫片有无裂缝、破损或过度磨损，钢丝刷有无松动或断裂的钢丝。如果工具或附件掉落，请检查有无损坏或重新安装一个未损坏的附件。检查和安装了附件之后，请使旁观者以及您自己远离旋转的附件，并以最大空载速度运行工具一分钟。损坏的附件通常会在此测试期间破裂。
8. 请穿戴个人防护用品。根据应用情况，请使用面罩、安全护目镜或安全眼镜。根据情况佩带可防止较小的砂磨碎片或工件碎片的防尘面罩、耳罩、手套和车间用的围裙。护目镜必须具备可以防止多种操作所产生的飞溅的碎片伤害到您的能力。防尘面罩或呼吸器必须具备可过滤操作中产生的微粒的能力。长时间的高强度噪音可能会损伤您的听力。
9. 使旁观者远离工作区域，保持一定的安全距离。所有进入工作区域的人员必须穿戴个人防护用品。工件的碎片或破损的附件可能会飞溅到操作区域以外并导致人身伤害。
10. 当进行作业时切割附件可能会接触到隐藏的电线或自身的电线，请仅握住工具的绝缘抓握表面。切割附件接触到“带电”的电线时，电动工具上暴露的金属部分可能也会“带电”，并使操作者触电。
11. 勿使工具导线靠近旋转附件。否则线头可能会被切割到或卡住，从而可能使您的手或手臂被拖入旋转附件中。
12. 在附件完全停止之前切勿将工具放下。旋转附件可能会碰撞地面或工作台面而导致工具失控。
13. 您身边携带电动工具时请勿运行工具。防止因不小心接触到旋转附件而导致衣物被卷入，甚至伤及身体。
14. 请定期清洁工具的通风口。电机的风扇会将灰尘带入外壳，过多的金属粉末累积会导致电气危害。
15. 请勿在可燃物附近运行电动工具。火花可能会点燃这些物品。
16. 请勿使用需要冷却液的附件。使用水或其他冷却液可能会导致触电或死亡。

## 反弹和相关警告

反弹是正在旋转的砂轮、垫片、钢丝刷或其他配件卡滞或卡滞时突然产生的反作用力。卡滞会导致旋转配件的快速停止，从而导致在卡滞点处对失控的工具产生与配件旋转方向相反的作用力。

例如，如果工件使得砂轮卡滞，则进入卡滞点的砂轮边缘将进入工件材料的表面，导致砂轮跳出或弹出。根据砂轮在卡滞点的运动方向，砂轮可能会跳向或远离操作者。在这种情况下，砂轮也可能会破裂。

电动工具误操作和 / 或不正确的操作步骤或操作条件将导致反弹，遵守以下所述的注意事项即可避免。

- a) 请牢固握持电动工具的把手，调整身体和手臂位置以防止反弹力。如果提供了辅助手柄，请务必使用，以在启动时最大程度地控制反弹或转矩反作用力。如果正确遵守注意事项，操作者可控制转矩反作用力或反弹力。
- b) 切勿将手靠近旋转的附件。附件可能会反弹到您手上。
- c) 请勿置身于发生反弹时电动工具可能移动的区域。反弹会在卡滞点处以与砂轮运动方向相反的力作用于砂轮。
- d) 当处理边角、锐利的边缘等处时请特别小心。避免使附件跳跃和卡滞。边角、锐利的边缘或附件发生跳跃可能会使旋转的附件被钩住并导致工具失控或反弹。
- e) 请勿安装锯链木雕锯片或齿状锯片。这些锯片会发生频繁的反弹并导致工具失控。

## 专用于磨削和砂轮切割操作的安全警告：

- a) 请仅使用被推荐用于您的电动工具的砂轮以及专用于所选砂轮的砂轮罩。非专用于本电动工具的砂轮无法得到足够的防护并无法保证安全。
- b) 锥形砂轮的砂磨表面必须安装在砂轮罩边缘的平面之下。突出于砂轮罩边缘平面的安装不当的砂轮将不能得到充分的保护。
- c) 砂轮罩必须牢固安装到电动工具上并放置在最为安全的位置，使得砂轮外露的部分尽可能少。砂轮罩可防止操作者被砂轮碎片划伤或意外接触到砂轮和可能会点燃衣物的火星。
- d) 仅可将砂轮用于推荐的应用情况。例如：请勿用切割砂轮的侧面进行磨削。切割砂轮用于进行外围磨削，对这些砂轮应用侧力可能会导致其破碎。

e) 请务必使用未损坏的砂轮法兰，尺寸和外形应符合您所选的砂轮。正确的砂轮法兰可减少砂轮破裂的危险。切割砂轮的法兰可能与磨削砂轮法兰有所不同。

f) 请勿使用从更大的电动工具上拆下来的已磨损的砂轮。用于大型电动工具的砂轮不适合小型工具的高速操作，可能会爆裂。

#### 专用于砂轮切割操作的附加安全警告：

- a) 请勿“挤压”切割砂轮或对其过度施压。请勿试图切割过深。对砂轮过度施压会使负荷增加，使砂轮在切割时易于扭曲或卡滞，也使发生反弹或砂轮破裂的可能性增大。
- b) 请勿与旋转的砂轮成一直线站立或站在其后面。如果操作时砂轮的移动方向为远离您，如果此时发生反弹，则可能会迫使旋转的砂轮直接指向您。
- c) 当砂轮卡滞或因任何原因中断切割操作时，请关闭电动工具并将工具保持不动，直至砂轮完全停止。当砂轮还在运动中时，切勿试图将切割砂轮从工件中取出，否则可能会造成反弹。研究并采取正确的措施以避免砂轮卡滞。
- d) 请勿在工件中重新启动切割操作。请等到砂轮到达全速后再小心地重新启动切割。如果电动工具在工件中重新启动，则砂轮可能会卡滞、移动或反弹。
- e) 请支撑面板或其他大型工件以最大限度降低砂轮卡滞和反弹的可能。大型工件会因自身的重量而下陷。必须在工件下面靠近切割线和砂轮两侧工件边缘放置支撑件。
- f) 当在墙壁或其他盲区进行“袖珍切割”时请尤其小心。凸出的砂轮可能会切割到气管或水管、电线或其他物体，从而导致反弹。

#### 专用于砂磨操作的安全警告：

- a) 请勿使用尺寸过大的砂纸。选择砂纸时请遵照制造商的推荐。大于砂盘的砂纸会有破裂的危险并可能导致砂轮片的卡滞、破裂或反弹。

#### 专用于钢丝刷操作的安全警告：

- a) 即使在正常操作时也请小心钢丝刷的钢毛飞出。请勿使钢丝刷过载导致钢丝过压。钢毛很容易穿透轻薄的衣服和/或皮肤。
- b) 如果建议为钢丝刷配备护罩，请勿使其影响到钢丝轮或在带有护罩的情况下使用钢丝刷。根据工作负荷和离心力作用，钢丝轮或钢丝刷在直径上可能会有所伸展。

#### 附加安全警告：

17. 当使用锥形砂轮时，请务必且仅可使用玻璃钢砂轮。
18. 使用本磨光机时切勿使用机碗形砂轮。此类砂轮不适用于本磨光机，强行使用可能会导致严重的人身伤害。
19. 请小心勿损坏主轴、法兰（尤其是安装表面）或锁紧螺母。这些部件损坏可能会导致砂轮破裂。
20. 打开开关前，请确认砂轮未与工件接触。
21. 在实际的工件上使用工具之前，请先让工具空转片刻。请注意，振动或摇摆可能表示安装不当或砂轮不平衡。
22. 请使用砂轮的指定表面来执行磨削。
23. 运行中的工具不可离手放置。只可在手握工具的情况下操作工具。
24. 操作之后，请勿立刻触摸工件，因为其可能会非常烫，导致烫伤皮肤。
25. 请遵照制造商的说明进行正确安装和使用砂轮。请小心处理和存放砂轮。
26. 请勿使用分离式卸套或适配器来适配大孔砂轮。
27. 请仅使用本工具指定的法兰。
28. 对于要安装螺纹孔砂轮的工具，请确保砂轮中的螺纹足够长，可配合主轴的长度。
29. 检查并确认工件被正确支撑。
30. 请注意，关闭工具之后，砂轮还会继续旋转。
31. 如果工作场所非常热并且潮湿，或者被导电灰尘严重污染，请使用短路断路器（30 mA）以保障操作者的人身安全。
32. 请勿在任何含有石棉的材料上使用本工具。
33. 当使用切割砂轮时，请务必同时使用国内法规规定的集尘砂轮罩。
34. 切割盘不得受到任何侧向的压力。
35. 操作时请勿使用布质工作手套。布质手套的纤维可能会进入工具，导致工具破裂。

#### 请保留此说明书。

**警告：** 请勿为图方便或因对产品足够熟悉（由于重复使用而获得的经验）而不严格遵循相关产品安全规则。使用不当或不遵循使用说明书中的安全规则会导致严重的人身伤害。

## 功能描述

### ⚠️ 小心：

- 在调节或检查工具功能之前，请务必关闭工具电源开关并拔下电源插头。

## 轴锁

### ► 图片1： 1. 轴锁

### ⚠️ 小心：

- 切勿在主轴进行转动时启用轴锁。否则可能会损坏工具。

安装或拆卸附件时，按下轴锁，防止主轴旋转。

## 开关操作

### ⚠️ 小心：

- 插上工具电源插头之前，请务必确认开关扳机能够正常工作，松开时能回到“OFF”（关闭）位置。

## 对于带有A型开关扳机的工具

### ► 图片2： 1. 锁定按钮 / 锁止按钮 2. 开关扳机

## 对于不带锁定按钮和锁止按钮的工具

启动工具时，只要扣动开关扳机即可。松开开关扳机工具即停止。

## 对于带锁定按钮的工具

启动工具时，只要扣动开关扳机即可。松开开关扳机工具即停止。

连续操作时，扣动开关扳机并按下锁定按钮。要从锁定位置停止工具时，可将开关扳机扣到底，然后松开。

## 对于带锁止按钮的工具

为避免使用者不小心扣动开关扳机，本工具采用锁止按钮。

要启动工具时，按下锁止按钮，然后扣动开关扳机即可。松开开关扳机工具即停止。

## 对于带有B型开关扳机的工具

### ► 图片3： 1. 锁定杆 2. 开关扳机

## 对于带自锁开关的工具

启动工具时，只要扣动开关扳机(A)即可。松开开关扳机工具即停止。连续操作时，扣动开关扳机(A)并按下锁定杆(B)。要从锁定位置停止工具时，可将开关扳机(A)扣到底，然后松开。

## 对于带锁止开关的工具

为避免意外扣动开关扳机，本工具采用锁定杆。要启动工具时，按下锁定杆(B)，然后扣动开关扳机(A)即可。松开开关扳机工具即停止。

## 对于带自锁和锁止开关的工具

为避免意外扣动开关扳机，本工具采用锁定杆。要启动工具时，按下锁定杆(B)，然后扣动开关扳机(A)即可。松开开关扳机工具即停止。连续操作时，请按下锁定杆(B)，扣动开关扳机，然后再次按下锁定杆(B)。要从锁定位置停止工具时，可将开关扳机(A)扣到底，然后松开。

## 装配

### ⚠️ 小心：

- 对工具进行任何装配操作前请务必确认机器已关闭且已拔下电源插头。

## 安装侧把手（手柄）

### ⚠️ 小心：

- 在进行操作之前，请务必将侧把手牢固地安装在工具上。

### ► 图片4

在如图所示的工具位置上拧紧侧把手。



## 安装环形把手（选购附件）

### ⚠️小心：

- 在进行操作之前，请务必将环形把手牢固地安装在工具上。

► **图片5:** 1. 环形把手的凸起部分 2. 齿轮箱上的装配孔

操作前，请务必将环形把手安装在工具上。操作期间，请双手紧握工具的开关把手和环形把手。

安装环形把手，使其凸出部分与齿轮箱上的装配孔吻合。

安装螺栓，并用六角扳手将其拧紧。根据实际工作的方便，可以将环形把手安装在如图所示两个不同方向中的任一方向。

► **图片6:** 1. 环形把手 2. 六角扳手 3. 螺栓

► **图片7:** 1. 环形把手 2. 六角扳手 3. 螺栓

## 安装或拆卸砂轮罩（用于钹形砂轮、多用砂轮片 / 切割砂轮、金刚石砂轮）

### 对于带锁定螺丝型砂轮罩的工具

### ⚠️小心：

- 当使用钹形砂轮 / 多用砂轮片、钢丝轮刷、或切割砂轮时，必须将砂轮罩安装到工具上，确保砂轮罩的封闭侧始终朝向操作者所在位置。

► **图片8:** 1. 砂轮罩 2. 螺丝 3. 轴承箱

安装砂轮罩时，将砂轮罩环上的凸缘片对准轴承箱上的槽口。然后将砂轮罩逆时针旋转180度左右。确保已将螺丝拧紧。

拆下砂轮罩时，按与安装步骤相反的顺序进行。

## 安装或拆下钹形砂轮 / 多用砂轮片（选购附件）

### ⚠️警告：

- 当工具上装有钹形砂轮 / 多用砂轮片时，请务必使用提供的砂轮罩。在使用中砂轮可能会碎裂，砂轮罩可降低人身伤害的危险。

► **图片9:** 1. 锁紧螺母 2. 钹形砂轮 / 多用砂轮片 3. 内法兰盘

将内法兰盘安装到主轴上。将砂轮 / 砂轮片放在内法兰盘上，并用锁紧螺母将其与主轴固定。

拧紧锁紧螺母时，需用力按住轴锁以防主轴转动，然后用锁紧螺母扳手按顺时针拧紧。

► **图片10:** 1. 锁紧螺母扳手 2. 轴锁

拆下砂轮时，按与安装步骤相反顺序进行。

## 操作

### ⚠️警告：

- 操作工具时切勿过度用力。工具的重量可施加足够的压力。施加过度的压力会导致砂轮破碎的危险。
- 如果在磨削时工具跌落，一定要更换砂轮。
- 切勿用磨盘或砂轮敲击工件。
- 在进行角部或锐边等部分的加工作业时应避免发生砂轮弹跳和受阻现象，以防砂轮失控而反弹。
- 本工具严禁使用锯木锯片和其他锯片。在磨光机上使用时，这些锯片经常会反冲，并使工具失去控制导致人身伤害。

### ⚠️小心：

- 操作完毕后，请务必关闭工具，等到砂轮完全停止转动后再把工具放下。

## 磨削和砂磨操作

► **图片11**

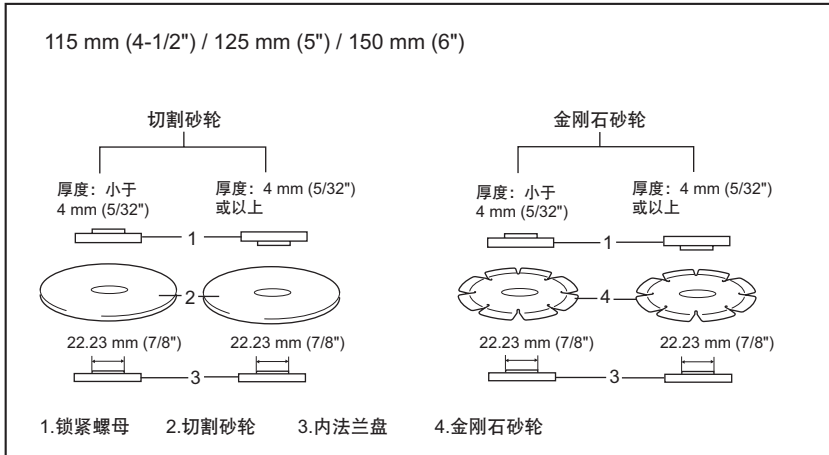
请务必用一只手握住工具后把手，另一只手握持侧把手，将工具握紧。打开工具开关，然后使用砂轮或砂轮片加工工件。通常砂轮或砂轮片的边缘应与工件表面保持约15°角。

在新砂轮的磨合期，不要沿B方向操作砂轮，否则砂轮会切入工件内。当砂轮边缘经过使用被磨圆后，即可按A方向或B方向任意操作砂轮。

## 切割砂轮 / 金刚石砂轮（选购附件）的操作

► **图片12:** 1. 锁紧螺母 2. 切割砂轮 / 金刚石砂轮 3. 内法兰盘 4. 切割砂轮 / 金刚石砂轮用砂轮罩

安装锁紧螺母和内法兰盘的方向因砂轮厚度而异。请参阅如下图表。



### ⚠ 警告:

- 使用切割砂轮 / 金刚石砂轮时，请务必仅使用专用于切割砂轮的砂轮罩。
- 切勿使用切割砂轮进行侧面磨削。
- 请勿“挤压”砂轮或对其过度施压。请勿试图切割过深。对砂轮过度施压会使负载增加，使砂轮在切割时易于扭曲或卡滞，也使发生反弹或砂轮破损的可能性增大，可能会导致砂轮破损和电机过热。
- 请勿在工件中启动切割操作。请让砂轮达到全速时再小心地将其插入切割工件的表面。如果电动工具在工件中启动，则砂轮可能会卡滞、移动或反弹。
- 在切割操作时，切勿改变砂轮的角度。对切割砂轮施以侧压（磨削操作中）将导致砂轮裂开和破损，从而导致严重的人身伤害。
- 操作时，金刚石砂轮应与被切割材料相垂直。

## 保养

### ⚠ 小心:

- 检查或保养工具之前，请务必关闭工具电源开关并拔出插头。
- 切勿使用汽油、苯、稀释剂、酒精或类似物品清洁工具。否则可能会导致工具变色、变形或出现裂纹。

工具及其通风孔应保持清洁。定期清洁通风口或在通风口开始被堵塞时进行清洁。

► **图片13:** 1. 排气孔 2. 进气孔

## 更换碳刷

► **图片14:** 1. 界限磨耗线

定期拆下碳刷进行检查。在碳刷磨损到界限磨耗线时进行更换。请保持碳刷清洁并使其在碳刷夹内能自由滑动。两个碳刷应同时替换。请仅使用相同的碳刷。

使用螺丝起子拆下碳刷夹盖。取出已磨损的碳刷，插入新的碳刷，然后紧固碳刷夹盖。

► **图片15:** 1. 碳刷夹盖 2. 螺丝起子

为了保证产品的安全与可靠性，维修、任何其他维修保养或调节需由Makita（牧田）授权的维修服务中心完成。务必使用Makita（牧田）的替换部件。

## 选购附件

### ⚠小心：

- 这些附件或装置专用于本说明书所列的 **Makita**（牧田）电动工具。其他附件或装置的使用可能会有人身伤害风险。仅可将附件或装置用于规定目的。
- 您的工具附有与钹形砂轮、多用砂轮片和钢丝轮刷配合使用的保护罩。切割砂轮也可与选购保护罩配合使用。如果您决定将您的 **Makita**（牧田）磨光机与您从 **Makita**（牧田）经销商或维修服务中心购买的认可附件配合使用，请确保使用本手册中推荐的所有必要紧固装置和保护罩。否则，可能会对您和他人造成人身伤害。

如您需要了解更多关于这些选购附件的信息，请咨询当地的 **Makita**（牧田）维修服务中心。

- 适用于钹形砂轮 / 多用砂轮片的砂轮罩（砂轮盖）
- 适用于切割砂轮 / 金刚石砂轮的砂轮罩（砂轮盖）
- 钹形砂轮
- 切割砂轮
- 多用砂轮片
- 金刚石砂轮
- 杯形钢丝刷
- 斜角钢丝刷85
- 砂轮片
- 内法兰盘
- 适用于钹形砂轮 / 切割砂轮 / 多用砂轮片 / 金刚石砂轮的锁紧螺母
- 适用于砂轮片的锁紧螺母
- 锁紧螺母扳手
- 侧把手
- 橡胶垫
- 防尘罩装置

### 注：

- 本列表中的一些部件可能作为标准配件包含于工具包装内。它们可能因销往国家之不同而异。

## SPEKIFIKASI

Model	GA5010	GA5011	GA6010	GA6011
Diameter roda tengah pengasah	125 mm		150 mm	
Ketebalan roda maks.	6,4 mm	6,4 mm	6,4 mm	6,4 mm
Ulir spindel	M14		M14	
Kecepatan terukur (n) / Kecepatan tanpa beban (n <sub>0</sub> )	12.000 min <sup>-1</sup>		10.000 min <sup>-1</sup>	
Panjang keseluruhan	356 mm	384 mm	356 mm	384 mm
Berat bersih	2,6 kg		2,7 kg	
Kelas keamanan	□/II			

- Karena program penelitian dan pengembangan kami terus berlangsung, spesifikasi yang disebutkan di sini dapat berubah tanpa pemberitahuan.
- Spesifikasi dapat berbeda di setiap negara.
- Berat menurut Prosedur EPTA 01/2003

### Simbol

Berikut akan ditunjukkan simbol yang digunakan untuk peralatan. Pastikan Anda memahami arti masing-masing simbol sebelum menggunakan alat.



Baca petunjuk penggunaan.



ISOLASI GANDA



Gunakan kaca mata pelindungan.



Hanya untuk negara UE  
Jangan membuang peralatan listrik bersama material limbah rumah tangga! Dengan memerhatikan Petunjuk Eropa tentang Limbah Peralatan Listrik dan Elektronik serta pelaksanaannya sesuai dengan ketentuan hukum nasional, peralatan listrik yang telah habis masa pakainya harus dikumpulkan secara terpisah dan dikembalikan ke fasilitas daur ulang yang kompatibel dengan lingkungan.

### Penggunaan

Mesin ini dirancang untuk menggerinda, mengampelas dan memotong logam dan material batuan tanpa menggunakan air.

### Pasokan daya

Mesin harus terhubung dengan pasokan daya listrik yang bervoltase sama dengan yang tertera pada pelat nama, dan hanya dapat dijalankan dengan listrik AC fase tunggal. Mesin diisolasi ganda sehingga dapat juga dihubungkan dengan soket tanpa kabel arde.

## Peringatan Keselamatan Umum Mesin Listrik

**⚠️ PERINGATAN** Bacalah semua peringatan keselamatan dan semua petunjuk. Kelalaian mematuhi peringatan dan petunjuk dapat menyebabkan sengatan listrik, kebakaran dan/atau cedera serius.

### Simpanlah semua peringatan dan petunjuk untuk acuan di masa depan.

Istilah "mesin listrik" dalam semua peringatan mengacu pada mesin listrik yang dijalankan dengan sumber listrik jala-jala (berkabel) atau baterai (tanpa kabel).

#### Keselamatan tempat kerja

1. **Jaga tempat kerja selalu bersih dan berpenerangan cukup.** Tempat kerja yang berantakan dan gelap mengundang kecelakaan.
2. **Jangan gunakan mesin listrik dalam lingkungan yang mudah meledak, misalnya terdapat cairan, gas, atau debu yang mudah terbakar.** Mesin listrik menimbulkan bunga api yang dapat membakar debu atau uap tersebut.
3. **Jauhkan anak-anak dan orang lain saat menggunakan mesin listrik.** Jika perhatian terpecah, Anda mungkin saja kehilangan kendali.

#### Keamanan Kelistrikan

4. **Steker mesin listrik harus cocok dengan stopkontak. Jangan sekali-kali mengubah steker dengan cara apa pun. Jangan menggunakan steker adaptor dengan mesin listrik yang terbumi (dibumikan).** Steker yang tidak diubah dan stopkontak yang cocok akan mengurangi risiko sengatan listrik.
5. **Hindari sentuhan tubuh dengan permukaan yang terbumi atau dibumikan seperti pipa, radiator, kompor, dan kulkas.** Risiko sengatan listrik bertambah jika ada bagian tubuh Anda yang menyentuh bumi atau tanah.

6. **Jangan membiarkan mesin listrik kehujanan atau basah.** Air yang masuk ke dalam mesin listrik akan meningkatkan risiko sengatan listrik.
  7. **Jangan menyalahgunakan kabel.** Jangan sekali-kali menggunakan kabel untuk membawa, menarik, atau mencabut mesin listrik dari stopkontak. Jauhkan kabel dari panas, minyak, tepian tajam, atau bagian yang bergerak. Kabel yang rusak atau kusut memperbesar risiko sengatan listrik.
  8. **Jika menggunakan mesin listrik di luar ruangan, gunakan kabel ekstensi yang sesuai dengan penggunaan di luar ruangan.** Menggunakan kabel yang sesuai dengan penggunaan luar ruangan akan mengurangi risiko sengatan listrik.
  9. **Jika mengoperasikan mesin listrik di lokasi lembap tidak terhindarkan, gunakan pasokan daya yang dilindungi peranti imbasan arus (residual current device - RCD).** Penggunaan RCD mengurangi risiko sengatan listrik.
  10. **Disarankan untuk menggunakan pasokan daya melalui RCD dengan kapasitas arus sisa 30mA atau kurang.**
- Keselamatan Diri**
11. **Jaga kewaspadaan, perhatikan pekerjaan Anda dan gunakan akal sehat saat menggunakan mesin listrik.** Jangan menggunakan mesin listrik saat Anda lelah atau di bawah pengaruh obat-obatan, alkohol, atau dalam masa pengobatan. Sesaat saja Anda lalai saat menggunakan mesin listrik dapat menyebabkan cedera badan serius.
  12. **Gunakan alat pelindung diri. Selalu gunakan pelindung mata.** Penggunaan peralatan pelindung seperti masker debu, sepatu pengaman anti-selip, helm pengaman, atau pelindung telinga untuk kondisi yang sesuai akan mengurangi risiko cedera badan.
  13. **Cegah penyalan yang tidak disengaja. Pastikan bahwa sakelar berada dalam posisi mati (off) sebelum menghubungkan mesin ke sumber daya dan/atau paket baterai, mengangkat, atau membawanya.** Membawa mesin listrik dengan jari berada di sakelar atau mengalirkan listrik pada mesin listrik dengan sakelar hidup (on) akan mengundang kecelakaan.
  14. **Lepaskan kunci-kunci penyetel sebelum menghidupkan mesin listrik.** Kunci-kunci yang masih terpasang pada bagian mesin listrik yang berputar dapat menyebabkan cedera.
  15. **Jangan meraih terlalu jauh. Selalu jagalah pijakan dan keseimbangan.** Hal ini memungkinkan pengendalian mesin listrik yang lebih baik dalam situasi yang tidak diharapkan.
  16. **Kenakan pakaian dengan baik. Jangan memakai pakaian yang kedodoran atau perhiasan. Jaga jarak antara rambut, pakaian, dan sarung tangan Anda dengan bagian mesin yang bergerak.** Pakaian kedodoran, perhiasan, atau rambut panjang dapat tersangkut pada bagian yang bergerak.
  17. **Jika pada peranti tersedia fasilitas untuk menghisap dan mengumpulkan debu, pastikan fasilitas tersebut terhubung listrik dan digunakan dengan baik.** Penggunaan pembersih debu dapat mengurangi bahaya yang terkait dengan debu.
- Penggunaan dan pemeliharaan mesin listrik**
18. **Jangan memaksa mesin listrik. Gunakan mesin listrik yang tepat untuk keperluan Anda.** Mesin listrik yang tepat akan menuntaskan pekerjaan dengan lebih baik dan aman jika pada kecepatan sesuai rancangannya.
  19. **Jangan menggunakan mesin listrik jika sakelar tidak dapat menyalakan dan mematikannya.** Mesin listrik yang tidak dapat dikendalikan dengan sakelarnya akan berbahaya dan harus diperbaiki.
  20. **Cabut steker dari sumber listrik dan/atau paket baterai dari mesin listrik sebelum melakukan penyetelan, penggantian aksesoris, atau menyimpan mesin listrik.** Langkah keselamatan preventif tersebut mengurangi risiko hidupnya mesin secara tak sengaja.
  21. **Simpan mesin listrik jauh dari jangkauan anak-anak dan jangan biarkan orang yang tidak paham mengenai mesin listrik tersebut atau petunjuk ini untuk menggunakan mesin listrik.** Mesin listrik sangat berbahaya di tangan pengguna yang tidak terlatih.
  22. **Rawatlah mesin listrik. Periksa apakah ada bagian bergerak yang tidak sejajar atau macet, bagian yang pecah, dan kondisi lain yang dapat memengaruhi penggunaan mesin listrik. Jika rusak, perbaiki mesin listrik terlebih dahulu sebelum digunakan.** Banyak kecelakaan disebabkan oleh kurangnya pemeliharaan mesin listrik.
  23. **Jaga agar mesin pemotong tetap tajam dan bersih.** Mesin pemotong yang terawat baik dengan mata pemotong yang tajam tidak mudah macet dan lebih mudah dikendalikan.
  24. **Gunakan mesin listrik, aksesoris, dan mata mesin, dll. berdasarkan petunjuk ini, dengan memperhitungkan kondisi kerja dan jenis pekerjaan yang dilakukan.** Pemakaian mesin listrik untuk penggunaan selain yang diperuntukkan dapat menimbulkan situasi berbahaya.
- Servis**
25. **Bawa mesin listrik untuk diperbaiki hanya kepada oleh teknisi yang berkualifikasi menggunakan hanya suku cadang pengganti yang serupa.** Hal ini akan menjamin terjaganya keamanan mesin listrik.
  26. **Patuhi petunjuk pelumasan dan penggantian aksesoris.**
  27. **Jagalah agar gagang kering, bersih, serta bebas dari minyak dan gemuk.**

## PERINGATAN KESELAMATAN PENGGERINDA

Peringatan Keselamatan yang Umum untuk Penggerindaan, Pengampelasan, Penyikatan dengan Sikat Kawat, atau Pengoperasian Pemotongan Abrasif:

- Mesin listrik ini dirancang untuk berfungsi sebagai gerinda, pengampelas, sikat kawat atau mesin pemotong. Bacalah semua peringatan keselamatan, petunjuk, ilustrasi dan spesifikasi yang disertakan bersama mesin listrik ini.** Kelalaian untuk mematuhi semua petunjuk yang tercantum di bawah ini dapat menyebabkan sengatan listrik, kebakaran dan/atau cedera serius.
- Tidak dianjurkan menggunakan mesin listrik ini untuk melakukan pekerjaan seperti memoles.** Pekerjaan yang tidak sesuai dengan spesifikasi mesin listrik ini dapat menimbulkan bahaya dan menyebabkan cedera pada pengguna.
- Jangan gunakan aksesoris yang tidak dirancang secara khusus dan dianjurkan oleh produsen mesin.** Hanya karena aksesoris tersebut dapat dipasang pada mesin listrik Anda, bukan berarti dapat menjamin keselamatan dalam pengoperasian.
- Kecepatan terukur pada aksesoris setidaknya harus sama dengan kecepatan maksimum yang tertera pada mesin listrik.** Aksesoris yang bekerja lebih cepat dari kecepatan terukurnya dapat pecah dan terlontar.
- Diameter luar dan tebal aksesoris Anda harus berada dalam nilai kapasitas mesin listrik Anda.** Aksesoris dengan ukuran yang tidak tepat tidak dapat dilindungi atau dikendalikan secara memadai.
- Pemasangan aksesoris berulir harus sesuai dengan ulir spindel gerinda. Untuk aksesoris yang dipasang menggunakan flensa, lubang arbor pada aksesoris harus cocok dengan diameter tempat pemasangan pada flensa.** Aksesoris yang tidak sesuai dengan perangkat keras pemasangan mesin listrik akan bekerja secara tidak seimbang, bergetar berlebihan dan dapat menyebabkan hilangnya kendali.
- Jangan menggunakan aksesoris yang sudah rusak.** Setiap kali sebelum digunakan, periksa apakah ada patahan dan retakan pada roda abrasif, apakah ada retakan, sobekan atau keausan pada bantalan belakang, serta apakah ada kawat yang longgar atau patah pada sikat kawat. Jika mesin listrik atau aksesoris jatuh, periksa apakah terjadi kerusakan, atau pasang aksesoris yang tidak rusak. Setelah memeriksa dan memasang aksesoris, jauhkan posisi Anda dan orang di sekitar dari bidang aksesoris yang berputar dan jalankan mesin listrik pada kecepatan maksimum tanpa beban selama satu menit. Aksesoris yang rusak umumnya akan pecah selama waktu pengujian ini.
- Kenakan alat pelindung diri. Tergantung pekerjaannya, gunakan pelindung muka, kaca mata pelindung atauacamata pelindung. Sesuai dengan pekerjaannya, kenakan masker debu, pelindung telinga, sarung tangan, dan apron bengkel yang mampu menahan debu gerinda atau serpihan benda kerja.** Pelindung mata harus mampu menahan debu yang berhamburan, yang ditimbulkan dari berbagai jenis pekerjaan. Masker debu atau alat pernapasan harus mampu menyaring partikel yang dihasilkan dari pekerjaan Anda. Paparan berkepanjangan terhadap kebisingan berintensitas tinggi dapat menyebabkan hilangnya pendengaran.
- Jaga agar orang di sekitar berada dalam jarak aman yang jauh dari area kerja. Siapa pun yang masuk ke area kerja harus mengenakan perlengkapan pelindung diri.** Potongan benda kerja atau dari aksesoris yang rusak mungkin saja terlempar dan menyebabkan cedera di area yang langsung berdekatan dengan pekerjaan.
- Saat melakukan pekerjaan yang memiliki kemungkinan mesin pemotong bersentuhan dengan kawat tersembunyi atau kabelnya sendiri, pegang mesin listrik hanya pada permukaan genggam yang terisolasi.** Aksesoris pemotong yang menyentuh kawat "hidup" dapat menyebabkan bagian logam pada mesin teraliri arus listrik dan menyengat pengguna.
- Posisikan kabel agar tidak terkena aksesoris yang berputar.** Jika Anda kehilangan kendali, kabel mungkin saja terpotong atau tersangkut dan tangan atau lengan Anda mungkin saja tertarik oleh aksesoris yang berputar.
- Jangan sekali-kali meletakkan mesin listrik sebelum aksesorinya benar-benar berhenti.** Aksesoris yang berputar dapat menyambar permukaan dan menarik mesin listrik di luar kendali Anda.
- Jangan menyalakan mesin listrik sambil membawanya di sisi badan Anda.** Sentuhan yang tidak disengaja oleh aksesoris yang berputar dapat merobek pakaian Anda, yang akan menarik aksesoris ke arah badan Anda.
- Bersihkan ventilasi udara mesin listrik secara rutin.** Kipas motor akan menarik debu ke dalam rumahannya, dan debu logam yang terkumpul secara berlebihan dapat menyebabkan bahaya listrik.
- Jangan mengoperasikan mesin listrik di dekat benda-benda yang mudah terbakar.** Percikan apinya dapat menyulut benda-benda tersebut.
- Jangan menggunakan aksesoris yang membutuhkan cairan pendingin.** Menggunakan air atau cairan pendingin lain dapat mengakibatkan kematian akibat sengatan listrik.

### **Hentakan balik dan Peringatan Terkait**

Hentakan balik merupakan reaksi tiba-tiba akibat terjepit atau tersangkutnya roda yang berputar, bantalan belakang, sikat atau aksesoris lainnya. Kondisi terjepit atau tersangkut akan menyebabkan aksesoris yang berputar akan berhenti dengan cepat yang kemudian berubah mengakibatkan terdorongnya mesin listrik yang tak terkendali ke arah yang berlawanan dengan putaran aksesoris di titik tempat aksesoris tersebut terjepit.

Sebagai contoh, jika roda abrasif tersangkut atau terjepit oleh benda kerja, pinggir roda yang masuk ke titik tempat roda tersebut terjepit bisa menggali permukaan bahan, yang menyebabkan roda tersebut menanjak atau mengentak. Roda mungkin saja melompat ke arah atau menjauhi operator, tergantung arah gerakan roda di titik tempat roda tersebut terjepit. Roda ampelas juga bisa saja pecah karena kondisi tersebut.

Hentakan balik merupakan akibat dari salah cara menggunakan mesin listrik dan/atau prosedur atau kondisi pengoperasian yang salah dan dapat dihindari dengan melakukan tindakan kewaspadaan yang tepat sebagaimana diuraikan di bawah ini.

a) **Pertahankan genggaman yang kuat pada mesin listrik serta posisi badan dan lengan Anda agar memungkinkan Anda untuk menahan gaya hentakan balik. Selalu gunakan pegangan tambahan, bila tersedia, untuk mengendalikan hentakan balik atau reaksi torsi secara maksimum selama mesin mulai dihidupkan.** Jika tindakan kewaspadaan yang tepat dilakukan, operator dapat mengendalikan reaksi torsi atau gaya hentakan balik.

b) **Jangan sekali-kali memosisikan tangan Anda di dekat aksesoris yang berputar.** Aksesoris mungkin saja mengentak balik ke arah tangan Anda.

c) **Jangan memosisikan badan Anda di area tempat mesin listrik akan bergerak bila terjadi hentakan balik.** Hentakan balik akan memutar mesin dalam arah yang berlawanan dengan gerakan roda di titik tempat roda tersebut tersangkut.

d) **Sangatlah berhati-hati saat bekerja di area sudut, tepi yang tajam dll. Hindari jangan sampai aksesoris memantul atau tersangkut.** Area sudut, tepi yang tajam, atau pantulan cenderung menyebabkan aksesoris yang berputar tersangkut dan menyebabkan kehilangan kendali atau timbulnya hentakan balik.

e) **Jangan memasang mata rantai gergaji atau mata gergaji bergerigi.** Mata pisau seperti ini menghasilkan hentakan balik berkali-kali dan menyebabkan hilangnya kendali.

### **Peringatan Keselamatan Khusus untuk Pekerjaan Penggerindaan dan Pengoperasian Pemotongan Abrasif:**

a) **Gunakan hanya tipe roda yang dianjurkan untuk mesin listrik Anda dan pelindung khusus yang dirancang untuk roda yang Anda pilih.** Roda yang tidak sesuai dengan spesifikasi mesin listrik ini tidak dapat terlindungi secara memadai, dan karenanya tidak aman.

b) **Permukaan untuk penggerindaan pada roda tengah gerinda harus dipasang di bawah bidang pada tepi pelindung.** Roda yang tidak dipasang dengan benar sehingga menonjol pada bidang tepi pelindung tidak dapat benar-benar terlindungi.

c) **Pelindung harus terpasang dengan kencang pada mesin listrik dan diposisikan untuk pengamanan maksimal, sehingga bagian roda yang menghadap ke operator menjadi minimal.** Pelindung tersebut ikut melindungi operator dari potongan patahan roda, gesekan dengan roda dan percikan api yang dapat membakar pakaian.

d) **Roda harus digunakan hanya untuk penggunaan yang disarankan. Misalnya: jangan menggerinda dengan bagian samping roda pemotong.** Roda pemotong abrasif ditujukan untuk pekerjaan penggerindaan sisi luar; jika roda dikenai tenaga dari samping, roda ini mungkin saja pecah.

e) **Selalu gunakan flensa roda yang tidak rusak dengan ukuran dan bentuk yang tepat sesuai dengan roda yang Anda pilih.** Flensa roda yang tepat akan menopang roda sehingga mengurangi kemungkinan pecahnya roda. Flensa untuk roda pemotongan mungkin saja berbeda dengan flensa roda gerinda.

f) **Jangan gunakan roda dengan kinerja yang sudah rendah dari mesin listrik yang lebih besar.** Roda yang dirancang untuk mesin listrik yang lebih besar tidak cocok untuk digunakan pada alat yang lebih kecil dengan kecepatan yang lebih tinggi dan mungkin saja akan rusak.

### **Tambahan Peringatan Keselamatan Khusus untuk Pengoperasian Pemotongan Abrasif:**

a) **Jangan membuat roda pemotong "macet" atau menekannya secara berlebihan. Jangan mencoba memotong terlalu dalam.** Memberikan tekanan berlebihan pada roda akan meningkatkan beban, menyebabkan roda mudah bengkok atau terjepit pada potongan, serta meningkatkan kemungkinan terjadi hentakan balik atau roda pecah.

b) **Jangan menempatkan diri Anda sejajar dan di belakang roda yang berputar.** Pada titik pengerjaan, saat roda bergerak menjauhi dari Anda, hentakan balik dapat menggerakkan roda yang berputar dan mesin listrik ke arah Anda secara langsung.

c) **Ketika roda terjepit atau pemotongan terhenti karena alasan apa pun, matikan mesin listrik dan tahan hingga roda benar-benar berhenti. Jangan pernah mencoba melepas roda pemotong dari pekerjaan pemotongan saat roda bergerak, jika tidak, akan terjadi hentakan balik.** Periksa dan ambil tindakan perbaikan yang tepat untuk mengatasi penyebab macetnya roda.

d) **Jangan ulangi pemotongan pada benda kerja. Biarkan roda mencapai kecepatan penuh dan masukkan kembali dengan hati-hati pada potongan.** Roda mungkin saja macet, bergerak ke atas atau terjadi hentakan balik jika mesin listrik dinyalakan ulang saat masih berada pada benda kerja.

- e) **Tahan panel atau benda kerja berukuran besar untuk meminimalkan risiko roda terjepit dan terjadi hentakan balik.** Benda kerja besar cenderung melengkung karena beratnya. Penunjang harus diletakkan di bawah benda kerja dekat garis pemotongan dan dekat ujung benda kerja pada kedua sisi roda.
- f) **Berhati-hatilah saat melakukan “pemotongan saku” pada dinding atau area buta lain.** Roda yang mencuat dapat memotong pipa gas atau air, kabel listrik, atau objek lain yang dapat menyebabkan hentakan balik.

**Peringatan Keselamatan Khusus untuk Pekerjaan Pengampelasan:**

- a) **Jangan menggunakan kertas cakram ampelas yang ukurannya terlalu besar.** Ikuti rekomendasi pabrik saat memilih kertas ampelas. Kertas ampelas yang lebih besar melebihi bantalan ampelas akan menimbulkan bahaya cedera dan bisa menyebabkan tersangkut, pecahnya cakram atau terjadinya hentakan balik.

**Peringatan Keselamatan Khusus untuk Pengoperasian dengan Sikat Kawat:**

- a) **Berhati-hatilah, jangan sampai serpihan kawat terlepas dari sikat bahkan pada penggunaan standar.** Jangan terlalu keras menekan kawat dengan memberikan tekanan yang terlalu besar pada sikat. Serpihan kawat dapat dengan mudah menembus pakaian yang tipis dan/atau kulit.
- b) **Jika penggunaan pelindung direkomendasikan untuk sikat kawat, jangan sampai roda kawat atau sikat mengganggu kerja pelindung.** Roda kawat atau sikat dapat bertambah diameternya bergantung pada beban kerja dan gaya sentrifugal.

**Peringatan Keselamatan Tambahan:**

17. **Saat menggunakan roda gerinda tengah, pastikan bahwa Anda hanya menggunakan roda dengan fiberglass.**
18. **JANGAN PERNAH GUNAKAN roda berjenis Stone Cup dengan gerinda ini.** Gerinda ini tidak dirancang untuk tipe roda semacam ini dan jika digunakan, hal ini dapat mengakibatkan cedera serius pada penggunaannya.
19. **Hati-hati jangan sampai merusak spindel, flensa (terutama permukaan pemasangan) atau mur kunci.** Kerusakan pada bagian ini dapat mengakibatkan rusaknya roda.
20. **Pastikan bahwa roda tidak menyentuh benda kerja sebelum sakelar dinyalakan.**
21. **Sebelum menggunakan mesin pada benda kerja yang sebenarnya, jalankan mesin sebentar.** Waspada! getaran atau goyangan yang dapat menunjukkan lemahnya pemasangan atau roda yang kurang seimbang.
22. **Gunakan permukaan roda yang sudah ditentukan untuk melakukan pengerindaan.**
23. **Jangan tinggalkan mesin dalam keadaan hidup.** Jalankan mesin hanya ketika digenggam dengan tangan.
24. **Jangan menyentuh benda kerja segera setelah pengoperasian; suhunya mungkin masih sangat panas dan dapat membakar kulit Anda.**

25. **Patuhi petunjuk produsen mengenai cara memasang dan menggunakan roda yang benar.** Rawat dan simpan roda dengan cermat.
26. **Jangan menggunakan bos atau adaptor pengurang yang terpisah untuk menyesuaikan roda dengan lubang abrasif berukuran besar.**
27. **Gunakan hanya flensa yang ditentukan untuk mesin ini.**
28. **Untuk mesin yang memang dirancang untuk roda lubang berulir, pastikan bahwa ulir dalam roda cukup panjang untuk menampung panjang spindel.**
29. **Periksa apakah benda kerja telah ditopang dengan baik.**
30. **Perhatikan bahwa roda terus berputar setelah mesin dimatikan.**
31. **Jika tempat kerja sangat panas dan lembap, sangat kotor oleh debu konduktif, gunakan pemutus daya (30 mA) untuk menjamin keselamatan operator.**
32. **Jangan menggunakan mesin pada bahan yang mengandung asbestos.**
33. **Roda pemotongan hendaknya selalu digunakan dengan pelindung roda pengumpul debu yang disyaratkan oleh undang-undang setempat.**
34. **Cakram pemotongan harus disesuaikan dengan tekanan lateral.**
35. **Jangan gunakan sarung tangan kerja kain selama pengoperasian.** Serat dari sarung tangan kain dapat masuk ke mesin dan mengakibatkan kerusakan.

**SIMPAN PETUNJUK INI.**

**⚠️PERINGATAN: JANGAN** biarkan kenyamanan atau terbiasanya Anda dengan produk (karena penggunaan berulang) mengurangi kepatuhan yang ketat terhadap aturan keselamatan untuk produk yang terkait. **PENYALAHGUNAAN** atau kelalaian dalam mematuhi aturan keselamatan yang tertera pada petunjuk ini dapat menyebabkan cedera badan serius.



## DESKRIPSI FUNGSI

### **⚠️ PERHATIAN:**

- Selalu pastikan bahwa mesin dalam keadaan mati dan steker tercabut sebelum menyetel atau memeriksa kerja mesin.

## Kunci poros

- **Gbr.1:** 1. Kunci poros

### **⚠️ PERHATIAN:**

- Jangan gerakkan kunci poros ketika spindel sedang bergerak. Mesin mungkin saja rusak.

Tekan kunci poros untuk mencegah berputarnya spindel saat memasang atau melepas aksesoris.

## Kerja sakelar

### **⚠️ PERHATIAN:**

- Sebelum memasukkan steker, selalu periksa apakah pelatuk sakelar berfungsi dengan baik dan kembali ke posisi "OFF" saat dilepas.

## Untuk mesin dengan pelatuk sakelar tipe A

- **Gbr.2:** 1. Tombol kunci / Tombol buka kunci  
2. Pelatuk sakelar

## Untuk mesin tanpa tombol kunci dan tombol buka kunci

Untuk menjalankan mesin, cukup tarik pelatuk sakelar. Lepaskan pelatuk sakelar untuk berhenti.

## Untuk mesin dengan tombol kunci

Untuk menjalankan mesin, cukup tarik pelatuk sakelar. Lepaskan pelatuk sakelar untuk berhenti. Untuk penggunaan terus-menerus, tarik pelatuk sakelar dan kemudian tekan tombol kunci. Untuk membuka penguncian mesin, tarik pelatuk sakelar sampai penuh, lalu lepaskan.

## Untuk mesin dengan tombol buka kunci

Untuk mencegah pelatuk sakelar tertarik dengan tidak sengaja, tersedia sebuah tombol buka kunci. Untuk menjalankan mesin, tekan tombol buka kunci dan tarik pelatuk sakelar. Lepaskan pelatuk sakelar untuk berhenti.

## Untuk mesin dengan pelatuk sakelar tipe B

- **Gbr.3:** 1. Tuas kunci 2. Pelatuk sakelar

## Untuk mesin dengan sakelar kunci

Untuk menjalankan mesin, cukup tarik pelatuk sakelarnya (A). Lepaskan pelatuk sakelar untuk berhenti. Untuk penggunaan terus menerus, tarik pelatuk sakelar (A) lalu tekan tuas kunci (B). Untuk membebaskan posisi terkunci, tarik pelatuk sakelar (A) sampai penuh, lalu lepaskan.

## Untuk mesin dengan sakelar buka kunci

Untuk mencegah pelatuk sakelar tertarik dengan tidak sengaja, tersedia sebuah tuas kunci. Untuk menjalankan mesin, tekan tuas kunci (B) dan kemudian tarik pelatuk sakelar (A). Lepaskan pelatuk sakelar untuk berhenti.

## Untuk mesin dengan sakelar kunci dan buka kunci

Untuk mencegah pelatuk sakelar tertarik dengan tidak sengaja, tersedia sebuah tuas kunci. Untuk menjalankan mesin, tekan tuas kunci (B) dan kemudian tarik pelatuk sakelar (A). Lepaskan pelatuk sakelar untuk berhenti. Untuk penggunaan terus menerus, tekan tuas sakelar (B), tarik pelatuk sakelarnya, kemudian dorong tuas kunci lebih jauh dalam (B). Untuk membebaskan posisi terkunci, tarik pelatuk sakelar (A) sampai penuh, lalu lepaskan.

## PERAKITAN

### **⚠️ PERHATIAN:**

- Pastikan bahwa mesin dalam keadaan mati dan steker tercabut sebelum melakukan pekerjaan apa pun pada mesin.

## Memasang gagang sisi (pegangan)

### **⚠️ PERHATIAN:**

- Selalu pastikan bahwa gagang sisi terpasang dengan kuat sebelum penggunaan.

- **Gbr.4**

Sekrup gagang sisi dengan kencang pada posisi mesin sebagaimana yang ditunjukkan pada gambar.

## Memasang pegangan loop (Aksesori opsional)

### ⚠️ **PERHATIAN:**

- Selalu pastikan bahwa pegangan loop terpasang dengan kuat sebelum penggunaan.

► **Gbr.5:** 1. Tonjolan pegangan loop 2. Lubang yang cocok pada rumah gir

Selalu pasang pegangan loop pada mesin sebelum pengoperasian. Pegang pegangan sakelar mesin dan pegangan loop dengan kuat menggunakan kedua tangan selama pengoperasian.

Pasang pegangan loop sehingga tonjolannya masuk ke dalam lubang yang cocok di rumah gir.

Pasang baut dan kencangkan dengan kunci L.

Pegangan loop dapat dipasang di dua arah yang berbeda seperti yang ditunjukkan pada gambar, mana pun yang sesuai untuk pekerjaan Anda.

► **Gbr.6:** 1. Pegangan loop 2. Kunci L 3. Baut

► **Gbr.7:** 1. Pegangan loop 2. Kunci L 3. Baut

## Memasang atau melepas pelindung roda (Untuk roda tengah pengasah, multicakram / roda pemotong abrasif, roda intan)

### Untuk mesin dengan pelindung roda dengan tipe sekrup pengunci

### ⚠️ **PERHATIAN:**

- Ketika menggunakan roda tengah gerinda/multicakram, sikat roda kawat atau roda pemotong, pelindung roda harus cocok dengan mesin sehingga bagian sisi yang tertutup dari pelindung selalu mengarah pada operator.

► **Gbr.8:** 1. Pelindung roda 2. Sekrup 3. Kotak penahan

Pasang pelindung roda dengan posisi tonjolan ada di atas ikatan pelindung roda yang sejajar dengan cekungan pada kotak penahan. Kemudian putar pelindung roda sekitar 180 derajat berlawanan arah jarum jam. Pastikan bahwa sekrup sudah dikencangkan hingga aman.

Untuk melepas pelindung roda, lakukan prosedur pemasangan dalam urutan terbalik.

## Memasang atau melepas roda tengah gerinda/Multicakram (aksesori opsional)

### ⚠️ **PERINGATAN:**

- Selalu kenakan pelindung yang disediakan saat roda tengah gerinda/Multicakram terpasang pada mesin. Roda dapat pecah selama penggunaan, dan pelindung membantu mengurangi risiko cedera pada pengguna.

► **Gbr.9:** 1. Mur kunci 2. Roda tengah gerinda/Multicakram 3. Flensa dalam

Pasang flensa dalam pada spindel. Pasang roda/cakram pada flensa dalam dan kencangkan sekrup mur kunci ke dalam spindel.

Untuk mengencangkan mur kunci, tekan kunci poros dengan kuat agar spindel tidak berputar, kemudian gunakan kunci pas mur kunci dan kencangkan kuat-kuat searah jarum jam.

► **Gbr.10:** 1. Kunci pas mur kunci 2. Kunci poros

Untuk melepas roda, lakukan prosedur pemasangan dalam urutan terbalik.

## PENGGUNAAN

### ⚠️ **PERINGATAN:**

- Tidak perlu sampai memaksa mesin. Bobot mesin sudah memberi tekanan yang cukup. Pemaksaan dan tekanan yang berlebihan dapat mengakibatkan kerusakan yang berbahaya pada roda.
- SELALU ganti rodanya jika kinerja mesin menurun pada saat menggerinda.
- JANGAN SEKALI-KALI membenturkan atau memukul cakram atau roda di tengah-tengah pengerjaan.
- Jangan memantulkan dan mendekatkan roda pada permukaan tajam, terutama ketika bekerja pada sudut, pinggir yang tajam, dll. Hal ini dapat menyebabkan hilangnya kontrol dan bantingan.
- JANGAN SEKALI-KALI menggunakan mesin dengan mata pisau pemotong kayu dan mata gergaji lainnya. Mata pisau semacam itu sering kali menghentak bila digunakan pada gerinda serta menyebabkan hilangnya kendali yang mengarah pada terjadinya cedera badan.

### ⚠️ **PERHATIAN:**

- Setelah pengoperasian, selalu matikan mesin dan tunggu sampai mesin benar-benar berhenti sebelum meletakkan mesin kembali.

# Operasi penggerindaan dan pengampelasan

## ► Gbr.11

SELALU pegang mesin kuat-kuat dengan satu tangan pada pegangan belakang dan tangan lainnya pada sisi pegangan. Hidupkan mesin dan kemudian aplikasikan roda atau cakram pada benda kerja.

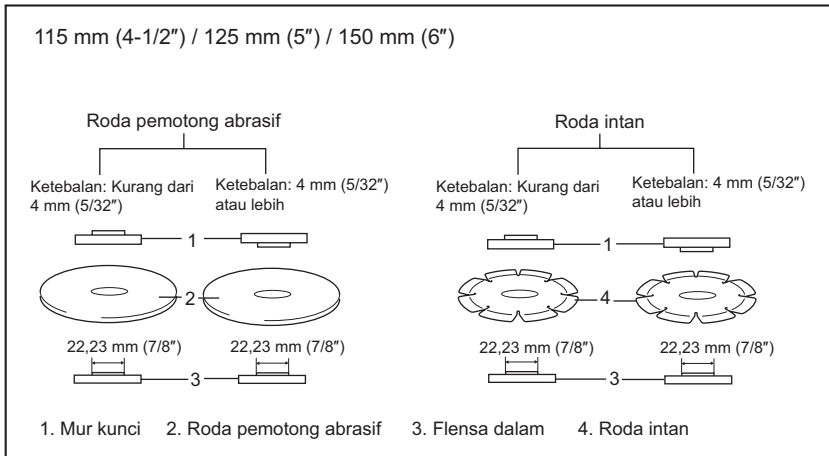
Secara umum, pertahankan pinggiran roda atau cakram pada sudut sekitar 15 derajat terhadap permukaan benda kerja.

Pada masa-masa awal menggunakan roda baru, jangan mengoperasikan gerinda ke arah B atau gerinda akan mengiris masuk ke dalam benda kerja. Setelah pinggiran roda telah membulat karena terus digunakan, roda dapat dioperasikan ke arah A maupun B.

## Penggunaan dengan roda pemotong abrasif / roda intan (aksesori opsional)

► **Gbr.12:** 1. Mur kunci 2. Roda pemotong abrasif/roda intan 3. Flensa dalam 4. Pelindung roda untuk roda pemotong abrasif/roda intan

Arah untuk pemasangan mur kunci dan flensa dalam bervariasi tergantung pada ketebalan roda. Harap merujuk pada tabel di bawah ini.



## **⚠️ PERINGATAN:**

- Ketika menggunakan pemotong abrasif / roda intan, jangan gunakan selain pelindung roda khusus yang dirancang untuk digunakan bersama roda pemotong.
- JANGAN SEKALI-KALI menggunakan roda pemotongan untuk gerinda samping.
- Jangan membuat roda "macet" atau menekannya secara berlebihan. Jangan mencoba memotong terlalu dalam. Memberikan tekanan berlebihan pada roda akan meningkatkan beban dan dapat menyebabkan roda berputar atau terjepit pada potongan dan terdapat kemungkinan terjadi hentakan balik, kerusakan roda dan panas yang berlebihan.
- Jangan memulai pemotongan pada benda kerja. Biarkan roda mencapai kecepatan penuh dan perlahan masuk ke dalam pemotongan yang menggerakkan mesin ke depan di atas permukaan benda kerja. Roda mungkin saja macet, bergerak ke atas atau terjadi hentakan balik jika mesin listrik dinyalakan ulang pada benda kerja.
- Selama operasi pemotongan, jangan ubah sudut roda. Memberikan tekanan samping pada roda pemotongan (seperti dalam proses gerinda) akan menyebabkan roda retak dan patah, sehingga pengguna mengalami cedera serius.
- Roda intan harus dioperasikan secara tegak lurus terhadap bahan yang akan dipotong.

## **PERAWATAN**

### **⚠️ PERHATIAN:**

- Selalu pastikan bahwa mesin dimatikan dan steker dicabut sebelum melakukan pemeriksaan atau perawatan.
- Jangan sekali-kali menggunakan bensin, tiner, alkohol, atau bahan sejenisnya. Penggunaan bahan tersebut dapat menyebabkan perubahan warna, perubahan bentuk, atau timbulnya retakan.

Mesin dan ventilasi udara harus dijaga agar tetap bersih. Bersihkan ventilasi udara mesin secara teratur atau saat ventilasi mulai terganggu.

- **Gbr.13:** 1. Ventilasi pengeluaran 2. Ventilasi penyerapan

### **Mengganti sikat karbon**

- **Gbr.14:** 1. Tanda batas

Lepas dan periksa sikat karbon secara teratur. Lepas ketika aus sampai tanda batas. Jaga agar sikat karbon tetap bersih dan tidak bergeser dari penahan. Kedua sikat karbon harus diganti pada waktu yang sama. Hanya gunakan sikat karbon yang sama. Gunakan obeng untuk melepas tutup tempat sikat. Tarik keluar sikat karbon yang aus, masukkan yang baru dan pasang tutup tempat sikat.

- **Gbr.15:** 1. Tutup tempat sikat 2. Obeng

Untuk menjaga KEAMANAN dan KEANDALAN produk, perbaikan, perawatan lain, atau penyetelan harus dilakukan oleh Pusat Layanan Resmi Makita dan selalu gunakan suku cadang pengganti buatan Makita.

## **AKSESORI PILIHAN**

### **⚠️ PERHATIAN:**

- Dianjurkan untuk menggunakan aksesoris atau perangkat tambahan ini dengan mesin Makita Anda yang ditentukan dalam petunjuk ini. Penggunaan aksesoris atau perangkat tambahan lain bisa menyebabkan risiko cedera pada manusia. Hanya gunakan aksesoris atau perangkat tambahan yang sesuai dengan tujuan yang telah ditetapkan.
- Mesin Anda dilindungi dengan pelindung untuk digunakan dengan roda gerinda tengah pengasah, multicakram, dan sikat roda kawat. Roda pemotong juga dapat digunakan dengan pelindung opsional. Jika Anda memutuskan untuk menggunakan gerinda Makita Anda dengan aksesoris yang disetujui yang Anda beli dari distributor atau pusat layanan Makita, pastikan untuk mendapatkan dan menggunakan semua pengencang dan pelindung yang diperlukan seperti yang direkomendasikan dalam petunjuk penggunaan ini. Kegagalan Anda untuk melakukannya dapat mencederai Anda dan orang lain.

Jika Anda memerlukan bantuan lebih rinci berkenaan dengan aksesoris ini, tanyakan pada Pusat Layanan Makita terdekat.

- Pelindung roda (penutup roda) untuk roda tengah pengasah / multicakram
- Pelindung roda (penutup roda) untuk roda pemotong abrasif / roda intan
- Roda tengah pengasah
- Roda pemotong abrasif
- Multicakram
- Roda intan
- Sikat kawat mangkuk
- Sikat siku-siku kawat 85
- Cakram abrasif
- Flensa dalam
- Mur kunci untuk roda tengah pengasah / roda pemotong abrasif / multicakram / roda intan
- Mur kunci untuk cakram abrasif
- Kunci pas mur kunci
- Gagang sisi
- Bantalan karet
- Perangkat tambahan penutup debu

### **CATATAN:**

- Beberapa item dalam daftar tersebut mungkin sudah termasuk dalam paket mesin sebagai aksesoris standar. Hal tersebut dapat berbeda dari satu negara ke negara lainnya.

## SPEKIFIKASI

Model	GA5010	GA5011	GA6010	GA6011
Diameter roda tengah lekuk	125 mm		150 mm	
Ketebalan roda maks.	6.4 mm	6.4 mm	6.4 mm	6.4 mm
Ulir spindel	M14		M14	
Kelajuan terkadar (n) / Kelajuan tanpa beban (n <sub>0</sub> )	12,000 min <sup>-1</sup>		10,000 min <sup>-1</sup>	
Panjang keseluruhan	356 mm	384 mm	356 mm	384 mm
Berat bersih	2.6 kg		2.7 kg	
Kelas keselamatan	II/II			

- Disebabkan program penyelidikan dan pembangunan kami yang berterusan, spesifikasi yang terkandung di dalam ini adalah tertakluk kepada perubahan tanpa notis.
- Spesifikasi mungkin berbeza mengikut negara.
- Berat mengikut Prosedur EPTA 01/2003

### Simbol

Berikut menunjukkan simbol-simbol yang digunakan untuk alat ini. Pastikan anda memahami maksudnya sebelum menggunakan.



Baca manual arahan.



PENEBATAN BERGANDA



Pakai cermin mata keselamatan.



Hanya untuk negara-negara Kesatuan Eropah  
 Jangan buang peralatan elektrik bersama bahan buangan isi rumah!  
 Dalam mematuhi Arahan Eropah mengenai Sisa Peralatan Elektrik dan Elektronik serta pelaksanaannya mengikut undang-undang negara, peralatan elektrik yang telah mencapai akhir hayatnya mesti dikumpul secara berasingan dan dikembalikan ke kemudahan kitar semula yang bersesuaian dengan alam sekitar.

### Tujuan penggunaan

Alat ini bertujuan untuk pengisaran, pemsiran dan pemotongan bahan logam dan batu tanpa menggunakan air.

### Bekalan kuasa

Alat ini perlu disambungkan hanya kepada bekalan kuasa dengan voltan yang sama seperti yang ditunjukkan pada papan nama, dan hanya boleh dikendalikan pada bekalan AC fasa tunggal. Ia mempunyai penebatan berganda dan oleh itu, ia juga boleh digunakan dari soket tanpa wayar bumi.

### Amaran Keselamatan Umum Alat Kuasa

**⚠️ AMARAN** Baca semua amaran keselamatan dan semua arahan. Kegagalan mematuhi amaran dan arahan boleh menyebabkan kejutan elektrik, kebakaran dan/atau kecederaan serius.

### Simpan semua amaran dan arahan untuk rujukan masa depan.

Istilah "alat kuasa" dalam amaran merujuk kepada alat kuasa yang menggunakan tenaga elektrik (dengan kord) atau alat kuasa yang menggunakan bateri (tanpa kord).

#### Keselamatan kawasan kerja

1. **Pastikan kawasan kerja bersih dan terang.** Kawasan berselerak atau gelap mengundang kemalangan.
2. **Jangan kendalikan alat kuasa dalam keadaan yang mudah meletup, seperti dalam kehadiran cecair, gas atau habuk yang mudah terbakar.** Alat kuasa menghasilkan percikan api yang boleh menyalakan debu atau wasap.
3. **Jauhkan kanak-kanak dan orang ramai semasa mengendalikan alat kuasa.** Gangguan boleh menyebabkan anda hilang kawalan.

#### Keselamatan elektrik

4. **Palam alat kuasa mesti sepadan dengan soket. Jangan ubah suai palam dalam apa cara sekalipun. Jangan gunakan sebarang palam penyesuai dengan alat kuasa terbumi.** Palam yang tidak diubah suai dan soket yang sepadan akan mengurangkan risiko kejutan elektrik.
5. **Elakkan sentuhan badan dengan permukaan terbumi, seperti paip, radiator, dapur dan peti sejuk.** Terdapat peningkatan risiko kejutan elektrik jika elektrik terbumi terkena badan anda.

6. **Jangan biarkan alat kuasa terkena hujan atau basah.** Air yang memasuki alat kuasa akan meningkatkan risiko kejutan elektrik.
7. **Jangan salah gunakan kord. Jangan gunakan kord untuk membawa, menarik atau mencabut palam alat kuasa. Jauhkan kord dari haba, minyak, bucu tajam atau bahagian yang bergerak.** Kord yang rosak atau tersimpul meningkatkan risiko kejutan elektrik.
8. **Semasa mengendalikan alat kuasa di luar, gunakan kord sambungan yang bersesuaian untuk kegunaan luar.** Penggunaan kord yang sesuai untuk kegunaan luar mengurangkan risiko kejutan elektrik.
9. **Sekiranya pengendalian alat kuasa di lokasi lembap tidak dapat dielakkan, gunakan bekalan peranti arus sisa (RCD) yang dilindungi.** Penggunaan RCD mengurangkan risiko kejutan elektrik.
10. **Penggunaan bekalan kuasa melalui RCD dengan arus sisa yang bernilai 30 mA atau kurang sentiasa disyorkan.**

#### **Keselamatan diri**

11. **Sentiasa berwaspada, perhatikan apa yang anda lakukan dan guna akal budi semasa mengendalikan alat kuasa. Jangan gunakan alat kuasa semasa anda letih atau di bawah pengaruh dadah, alkohol atau ubat.** Kelekaan seketika semasa mengendalikan alat kuasa boleh menyebabkan kecederaan diri yang serius.
12. **Gunakan peralatan pelindung diri. Sentiasa pakai pelindung mata.** Peralatan pelindung seperti topeng debu, kasut keselamatan tak mudah tergelincir, topi keselamatan atau pelindung pendengaran yang digunakan untuk keadaan yang sesuai akan mengurangkan kecederaan diri.
13. **Elakkan permulaan yang tidak disengajakan. Pastikan suis ditutup sebelum menyambung kepada sumber kuasa dan/atau pek bateri, semasa mengangkat atau membawa alat.** Membawa alat kuasa dengan jari anda pada suis atau alat kuasa dengan suis pada kedudukan hidup mengundang kemalangan.
14. **Alihkan sebarang kunci atau sepana pelaras sebelum menghidupkan alat kuasa.** Sepana atau kunci yang ditinggalkan pada bahagian berputar alat kuasa boleh menyebabkan kecederaan diri.
15. **Jangan lampau jangkau. Jaga pijakan dan keseimbangan yang betul pada setiap masa.** Ini membolehkan kawalan alat kuasa yang lebih baik dalam situasi yang tidak dijangka.
16. **Berpakaian dengan betul. Jangan pakai pakaian yang longgar atau barang kemas. Jauhkan rambut, pakaian, dan sarung tangan anda dari bahagian yang bergerak.** Pakaian longgar, barang kemas atau rambut yang panjang boleh terperangkap dalam bahagian yang bergerak.
17. **Jika peranti disediakan untuk sambungan kemudahan pengekstrakan dan pengumpulan habuk, pastikan ia disambung dan digunakan dengan betul.** Penggunaan pengumpulan habuk boleh mengurangkan bahaya berkaitan habuk.

#### **Penggunaan dan penjagaan alat kuasa**

18. **Jangan gunakan alat kuasa dengan kasar. Gunakan alat kuasa yang betul untuk penggunaan anda.** Alat kuasa yang betul akan melakukan tugas dengan lebih baik dan lebih selamat pada kadar mana ia direka cipta.
19. **Jangan gunakan alat kuasa jika suis tidak berfungsi untuk menghidupkan dan mematikannya.** Alat kuasa yang tidak dapat dikawal dengan suis adalah berbahaya dan mesti dibaiki.
20. **Cabut palam dari sumber kuasa dan/atau pek bateri dari alat kuasa sebelum membuat sebarang pelarasan, menukar aksesori, atau menyimpan alat kuasa.** Langkah-langkah keselamatan pencegahan sedemikian mengurangkan risiko memulakan alat kuasa secara tidak sengaja.
21. **Simpan alat kuasa yang tidak digunakan jauh dari jangkauan kanak-kanak dan jangan biarkan orang yang tidak biasa dengan alat kuasa atau arahan ini untuk mengendalikan alat kuasa.** Alat kuasa adalah berbahaya di tangan pengguna yang tidak terlatih.
22. **Menyelenggara alat kuasa. Periksa salah jajaran atau ikatan pada bahagian yang bergerak, bahagian yang pecah dan apa-apa keadaan lain yang boleh menjejaskan operasi alat kuasa. Jika rosak, baiki alat kuasa sebelum digunakan.** Kebanyakan kemalangan adalah disebabkan oleh alat kuasa yang tidak dijaga dengan baik.
23. **Pastikan alat pemotong tajam dan bersih.** Alat pemotong yang dijaga dengan betul dengan hujung pemotong yang tajam mempunyai kemungkinan yang rendah untuk terikat dan lebih mudah dikendalikan.
24. **Gunakan alat kuasa, aksesori dan alat bit dan sebagainya mengikut arahan ini dengan mengambil kira keadaan kerja dan kerja yang perlu dilakukan.** Penggunaan alat kuasa untuk operasi yang berbeza dari yang dimaksudkan boleh menyebabkan keadaan berbahaya.

#### **Servis**

25. **Pastikan alat kuasa anda diservis oleh orang yang berkelayakan dengan hanya menggunakan alat ganti yang sama.** Ini akan memastikan keselamatan alat kuasa dapat dikesalkan.
26. **Ikut arahan untuk melincir dan menukar aksesori.**
27. **Pastikan pemegang sentiasa kering, bersih dan bebas dari minyak dan gris.**

## AMARAN KESELAMATAN PENGISAR

Amaran Keselamatan Umum untuk Operasi Pengisar, Pemasiran, Pemberusan Wayar atau Pemotongan Lelas:

- 1. Alat kuasa ini bertujuan untuk berfungsi sebagai alat pengisar, pemasir, berus wayar atau pemotongan. Baca semua amaran keselamatan, arahan, ilustrasi dan spesifikasi yang disediakan dengan alat kuasa ini.** Kegagalan mengikuti semua arahan yang disenaraikan di bawah boleh menyebabkan kejutan elektrik, kebakaran dan/atau kecederaan serius.
- 2. Operasi seperti penggilapan tidak disyorkan untuk dilakukan dengan alat kuasa ini.** Operasi yang tidak direka bentuk untuk alat kuasa ini boleh menyebabkan bahaya dan kecederaan diri.
- 3. Jangan gunakan aksesori yang tidak direka secara khusus dan disyorkan oleh pengilang alat.** Hanya kerana aksesori boleh dipasang pada alat kuasa anda, itu tidak menjamin operasi yang selamat.
- 4. Kelajuan kadaran aksesori mesti sekurang-kurangnya sama seperti kelajuan maksimum yang ditandakan pada alat kuasa.** Aksesori yang beroperasi lebih laju daripada kelajuan kadarannya boleh pecah dan berkecai.
- 5. Diameter luar dan ketebalan aksesori anda mesti dalam perbandingan kapasiti alat kuasa anda.** Aksesori dengan saiz yang tidak betul tidak boleh dijaga atau dikawal dengan secukupnya.
- 6. Pelekapan berulir aksesori mesti sepadan dengan ulir spindel pengisar. Untuk aksesori yang dilekapkan dengan bebibir, lubang arbor aksesori mesti sesuai dengan diameter penempat bebibir.** Aksesori yang tidak sepadan dengan perkakasan pelekapan alat kuasa akan tidak seimbang, bergetar secara berlebihan dan boleh menyebabkan hilang kawalan.
- 7. Jangan gunakan aksesori yang rosak. Sebelum setiap penggunaan, periksa aksesori seperti roda lelas untuk mengesan serpihan dan retakan, pad penyokong untuk mengesan retakan, haus dan lusuh berlebihan, berus wayar untuk mengesan wayar yang longgar atau pecah. Jika alat kuasa atau aksesori terjatuh, periksa untuk mengesan kerosakan atau pasang aksesori yang tidak rosak. Selepas pemeriksaan dan pemasangan aksesori, jauhkan diri anda dan orang ramai daripada satah aksesori yang berputar dan jalankan alat kuasa pada kelajuan tanpa beban maksimum selama seminit.** Aksesori yang rosak biasanya akan pecah berderai sepanjang tempoh ujian ini.
- 8. Pakai peralatan pelindung diri. Bergantung kepada penggunaan, gunakan pelindung muka, gogal keselamatan atau cermin mata keselamatan. Sebagaimana yang sesuai, pakai topeng habuk, pelindung pendengaran, sarung tangan dan apron bengkel yang mampu menghalang serpihan pelepas atau bahan kerja yang kecil.** Pengadang mata mesti mampu menghalang serpihan yang terbang yang dihasilkan oleh pelbagai operasi. Topeng habuk atau alat pernafasan mesti mampu menapis zarah yang dihasilkan oleh operasi anda. Pendedahan yang berlanjutan kepada hingar dengan keamatan yang tinggi boleh menyebabkan hilang pendengaran.
- 9. Pastikan orang ramai berada pada jarak yang selamat dari kawasan kerja. Sesiapa sahaja yang memasuki kawasan kerja mesti memakai peralatan pelindung diri.** Serpihan bahan kerja atau aksesori yang pecah mungkin berterbangan dan menyebabkan kecederaan di luar kawasan operasi terdekat.
- 10. Pegang alat kuasa pada permukaan pencengkam tertebat apabila melakukan operasi di mana aksesori pemotong boleh tersentuh wayar tersembunyi atau kordnya sendiri.** Aksesori pemotong yang bersentuh dengan wayar "hidup" boleh menyebabkan bahagian logam terdedah alat kuasa "hidup" dan boleh memberi kejutan elektrik kepada pengendali.
- 11. Jauhkan kord daripada aksesori yang berputar.** Jika anda hilang kawalan, kord boleh terpotong atau tersangkut dan tangan atau lengan anda boleh tertarik ke dalam aksesori yang berputar.
- 12. Jangan sekali-kali meletakkan alat kuasa ke bawah sehingga aksesori telah berhenti sepenuhnya.** Aksesori yang berputar boleh menyambar permukaan dan menarik alat kuasa daripada kawalan anda.
- 13. Jangan jalankan alat kuasa ketika membawanya di sisi anda.** Sentuhan secara tidak sengaja dengan aksesori yang berputar boleh menyebabkan pakaian anda tersangkut dan menarik aksesori ke badan anda.
- 14. Bersihkan dengan kerap bolong udara alat kuasa.** Kipas motor akan mengeluarkan habuk di dalam perumah dan pengumpulan logam serbuk yang berlebihan boleh menyebabkan bahaya elektrik.
- 15. Jangan kendalikan alat kuasa berhampiran bahan mudah terbakar.** Percikan boleh menyalakan bahan ini.
- 16. Jangan gunakan aksesori yang memerlukan bahan pendingin cecair.** Penggunaan air atau bahan pendingin cecair yang lain boleh menyebabkan renjatan elektrik.

### **Tolak Keluar dan Amaran Berkaitan**

Tolak keluar ialah tindak balas tiba-tiba kepada roda berputar, pad penyokong, berus atau aksesori lain yang terselit atau tersangkut. Terselit atau tersangkut menyebabkan aksesori berputar berhenti tiba-tiba dan menyebabkan alat kuasa yang tidak terkawal dipaksa bergerak ke arah yang bertentangan daripada putaran aksesori ketika tersangkut.

Contohnya, jika rodaelas tersangkut atau terselit pada bahan kerja, pinggir roda yang memasuki titik sepiatan boleh termasuk ke dalam permukaan bahan dan menyebabkan roda bergerak keluar atau menolak keluar. Roda mungkin sama ada melantun ke arah atau jauh daripada pengendali, bergantung kepada arah pergerakan roda ketika aksesori terselit. Roda elas juga mungkin pecah di bawah keadaan ini.

Tolak keluar adalah akibat daripada penyalahgunaan alat kuasa dan/atau prosedur atau keadaan operasi yang tidak betul dan boleh dielakkan dengan mengambil langkah berjaga-jaga yang betul seperti yang diberikan di bawah.

a) **Kekalkan genggaman yang kukuh pada alat kuasa dan pastikan kedudukan badan dan lengan anda membolehkan anda menahan daya tolak keluar. Sentiasa gunakan pemegang tambahan, jika disediakan, untuk kawalan maksimum terhadap tolak keluar atau tindak balas tork semasa permulaan.** Pengendali boleh mengawal tindak balas tork atau daya tolak keluar, jika langkah berjaga-jaga yang betul diambil.

b) **Jangan sekali-kali meletakkan tangan anda hampir dengan aksesori yang berputar.** Aksesori mungkin ditolak keluar ke atas tangan anda.

c) **Pastikan badan anda tidak berada di kawasan yang alat kuasa akan bergerak jika tolak keluar berlaku.** Tolak keluar akan mendorong alat ke arah bertentangan kepada pergerakan roda ketika aksesori tersangkut.

d) **Gunakan dengan lebih berhati-hati apabila bekerja di sudut, pinggir yang tajam dan dll. Elakkan aksesori daripada melantun dan tersangkut.** Sudut, pinggir yang tajam atau melantun mempunyai kecenderungan untuk menyebabkan aksesori berputar tersangkut dan menyebabkan hilang kawalan atau tolak keluar.

e) **Jangan pasang bilah ukiran kayu gergaji rantai atau bilah gergaji bergigi.** Bilah seperti ini akan kerap menghasilkan tolak keluar dan hilang kawalan.

### **Amaran Keselamatan Khusus untuk Operasi**

#### **Pengisaran dan Pemotongan Lelas:**

a) **Gunakan hanya jenis roda yang disyorkan untuk alat kuasa anda dan pengadang yang direka khusus untuk roda yang dipilih.** Roda yang tidak direka untuk alat kuasa tidak dapat dikawal secukupnya dan tidak selamat.

b) **Permukaan pengisaran roda tengah lekuk mesti dilekapkan di bawah satah bibir pengadang.** Roda yang tidak dilekapkan dengan betul yang mengunjur melalui satah bibir pengadang tidak dapat dilindungi secukupnya.

c) **Pengadang mesti dipasang dengan kukuh pada alat kuasa dan diletakkan untuk keselamatan maksimum, supaya sedikit sahaja roda terdedah ke arah pengendali.** Pengadang membantu melindungi pengendali daripada serpihan roda yang pecah, tersentuh secara tidak sengaja dengan roda dan percikan yang boleh membakar pakaian.

d) **Roda mesti digunakan hanya untuk penggunaan yang disyorkan. Contohnya, jangan kisar dengan sisi roda pemotongan.** Roda pemotongan pelepas bertujuan untuk pengisaran persisian dan daya sisi yang dikenakan kepada roda ini mungkin menyebabkannya pecah.

e) **Sentiasa menggunakan bebibir roda yang tidak rosak yang mempunyai saiz dan bentuk yang betul untuk roda yang anda pilih.** Bebibir roda yang betul menyokong roda dan dapat mengurangkan kemungkinan roda akan pecah. Bebibir untuk roda pemotongan mungkin berbeza daripada bebibir roda pengisaran.

f) **Jangan pakai roda daripada alat kuasa yang lebih besar.** Roda yang bertujuan untuk alat kuasa yang lebih besar tidak sesuai untuk kelajuan lebih tinggi alat yang lebih kecil dan mungkin meletup.

#### **Amaran Keselamatan Khusus untuk Operasi Pemotongan Lelas:**

a) **Jangan biarkan roda “tersekat” atau mengenakan tekanan berlebihan.** Jangan cuba membuat kedalaman potongan yang berlebihan. Mengenaikan tekanan yang berlebihan kepada roda akan meningkatkan beban dan kecenderungan untuk berputar atau terkapit roda dalam potongan dan kemungkinan tolak keluar atau roda pecah.

b) **Pastikan badan anda tidak berada sebaris dengan atau di belakang roda berputar.** Apabila rosak, ketika beroperasi, bergerak jauh dari badan anda, kemungkinan tolak keluar boleh mendorong roda berputar dan alat kuasa ke arah anda.

c) **Apabila roda tersangkut atau apabila gangguan pemotongan berlaku atas apa jua sebab, matikan alat kuasa dan pegang alat kuasa tidak bergerak sehingga roda berhenti sepenuhnya.** Jangan sekali-kali cuba menanggalkan roda pemotongan daripada potongan ketika roda sedang bergerak, jika tidak tolak keluar mungkin berlaku. Siasat dan ambil tindakan pembetulan untuk menyingkirkan sebab roda tersangkut.

d) **Jangan mulakan semula operasi pemotongan dalam bahan kerja.** Biarkan roda mencapai kelajuan penuh dan masukkan semula potongan. Roda boleh terkapit, berjalan ke atas atau tolak keluar jika alat kuasa dimulakan semula dalam bahan kerja.

e) **Sokong panel atau sebarang bahan kerja yang terlalu besar untuk meminumkan risiko roda terselit atau tolak keluar.** Bahan kerja yang besar mudah melendut di bawah beratnya sendiri. Penyokong mesti diletakkan di bawah bahan kerja berhampiran garisan potongan dan berhampiran pinggir bahan kerja pada kedua-dua belah roda.



f) Gunakan langkah yang lebih berhati-hati apabila membuat “potongan poket” ke dalam dinding sedia atau kawasan terlindung yang lain. Roda yang menonjol mungkin memotong paip gas atau air, pendawaian elektrik atau objek yang boleh menyebabkan tolak keluar.

#### Amaran Keselamatan Khusus untuk Operasi Pengempelasan:

a) Jangan gunakan kerja cakera pemasangan yang terlalu besar secara berlebihan. Ikut pengesyoran pengilang, apabila memilih kertas pemasangan. Kertas pemasangan lebih besar yang terkeluar daripada pad pemasangan akan mewujudkan bahaya melecet dan mungkin menyebabkan tersangkut dan mengoyakkan cakera atau tolak keluar.

#### Amaran Keselamatan Khusus untuk Operasi Pemberusan Wayar:

a) Sila ambil perhatian bahawa bulu wayar dibuang keluar oleh berus walaupun ketika operasi biasa. Jangan beri tekanan berlebihan kepada wayar dengan mengenakan beban berlebihan kepada berus. Bulu wayar mudah menembusi pakaian yang nipis dan/atau kulit.  
b) Jika penggunaan pengadang disyorkan untuk pemberusan wayar, jangan biarkan sebarang gangguan roda atau berus wayar dengan pengadang. Diameter roda atau berus wayar mungkin bertambah disebabkan beban kerja dan daya emparan.

#### Amaran Keselamatan Tambahan:

17. Apabila menggunakan roda pengisaran tengah lekuk, pastikan untuk menggunakan hanya roda yang diperkukuh gentian kaca.
18. **JANGAN SEKALI-KALI MENGGUNAKAN** roda jenis Cawan Batu dengan pengisar ini. Pengisar tidak direka untuk jenis roda ini dan penggunaan produk yang sedemikian boleh mengakibatkan kecederaan diri yang serius.
19. Berhati-hati agar tidak merosakkan spindel, bibir (terutamanya permukaan pemasangan) atau nat kunci. Kerosakan kepada bahagian ini boleh mengakibatkan roda pecah.
20. Pastikan roda tidak menyentuh bahan kerja sebelum suis dihidupkan.
21. Sebelum menggunakan alat pada bahan kerja sebenar, biarkan ia beroperasi seketika. Perhatikan getaran atau gangguan yang boleh menunjukkan pemasangan yang lemah atau roda yang sangat tidak seimbang.
22. Gunakan permukaan roda tertentu untuk melakukan pengisaran.
23. Jangan tinggalkan alat yang sedang berjalan. Kendalikan alat hanya apabila dipegang.
24. Jangan sentuh bahan kerja dengan serta-merta selepas operasi; ia mungkin sangat panas dan boleh melecurkan kulit anda.
25. Patuhi arahan pengilang untuk pelekapan dan penggunaan roda yang betul. Kendalikan dan simpan roda dengan cermat.
26. Jangan gunakan sesendal atau penyesuai pengurang yang berasingan untuk menyesuaikan roda lelas lubang besar.
27. Gunakan hanya bibir yang khusus untuk alat ini.

28. Untuk alat yang bertujuan untuk dipasang dengan roda lubang berulir, pastikan bahawa ulir dalam roda cukup panjang untuk menerima panjang spindel.
29. Pastikan bahawa bahan kerja disokong dengan betul.
30. Ambil perhatian bahawa roda akan terus berputar selepas alat dimatikan.
31. Jika tempat kerja sangat panas dan lembap atau sangat tercemar oleh habuk berkonduksi, gunakan pemutus litar pintas (30 mA) untuk memastikan keselamatan pengendali.
32. Jangan gunakan alat pada mana-mana bahan yang mengandungi asbestos.
33. Apabila menggunakan roda pemotongan, sentiasa bekerja dengan pengadang roda pengumpul habuk yang diperlukan oleh peraturan domestik.
34. Cakera pemotong tidak boleh dikenakan sebarang tekanan sisi.
35. Jangan guna sarung tangan kerja jenis kain semasa operasi. Fiber daripada sarung tangan jenis kain mungkin termasuk ke dalam alat, yang menyebabkan alat pecah.

## SIMPAN ARAHAN INI.

**⚠️AMARAN:** JANGAN biarkan keselesaan atau kebiasaan dengan produk (daripada penggunaan berulang) menggantikan pematuhan ketat terhadap peraturan keselamatan untuk produk yang ditetapkan. **SALAH GUNA** atau kegagalan untuk mematuhi peraturan-peraturan keselamatan yang dinyatakan dalam manual arahan ini boleh menyebabkan kecederaan diri yang serius.

## KETERANGAN FUNGSI

### ⚠️PERHATIAN:

- Sentiasa pastikan alat dimatikan dan palamnya dicabut sebelum menyelaras atau menyemak fungsi pada alat.

## Kunci aci

- **Rajah1:** 1. Kunci aci

### ⚠️PERHATIAN:

- Jangan sekali-kali menggerakkan kunci aci ketika spindel bergerak. Alat mungkin rosak.

Tekan kunci aci untuk mengelakkan putaran spindel apabila memasang atau menanggalkan aksesori.

## Tindakan suis

### ⚠️ **PERHATIAN:**

- Sebelum memasang alat, sentiasa periksa untuk melihat pemacu suis bergerak dengan betul dan kembali ke posisi "OFF" apabila dilepaskan.

## Untuk alat dengan pemacu suis jenis A

- **Rajah2:** 1. Butang kunci / butang buka kunci  
2. Pemacu suis

## Untuk alat tanpa butang kunci dan butang buka kunci

Untuk memulakan alat, hanya tarik pemacu suis. Lepaskan pemacu suis untuk berhenti.

## Untuk alat dengan butang kunci

Untuk memulakan alat, hanya tarik pemacu suis. Lepaskan pemacu suis untuk berhenti.

Untuk operasi berterusan, tarik pemacu suis dan kemudian tolak masuk butang kunci.

Untuk menghentikan alat dari kedudukan terkunci, tarik pemacu suis sepenuhnya, kemudian lepaskan.

## Untuk alat dengan butang buka kunci

Untuk mengelakkan pencetus suis dari ditarik secara tidak sengaja, butang mengunci disediakan.

Untuk memulakan alat, tekan butang pengunci dan tarik pemacu suis. Lepaskan pemacu suis untuk berhenti.

## Untuk alat dengan pemacu suis jenis B

- **Rajah3:** 1. Tuil penguncian 2. Pemacu suis

## Untuk alat dengan suis kunci

Untuk memulakan alat, hanya tarik pemacu suis (A). Lepaskan pemacu suis untuk berhenti. Untuk operasi berterusan, tarik pemacu suis (A) dan kemudian tolak masuk tuil penguncian (B). Untuk menghentikan alat dari kedudukan terkunci, tarik pemacu suis (A) sepenuhnya, kemudian lepaskan.

## Untuk alat dengan suis buka kunci

Untuk mengelakkan pemacu suis daripada ditarik secara tidak sengaja, tuil penguncian disediakan. Untuk memulakan alat, tolak masuk tuil penguncian (B) dan tarik pemacu (A) suis. Lepaskan pemacu suis untuk berhenti.

## Untuk alat dengan suis kunci dan buka kunci

Untuk mengelakkan pemacu suis daripada ditarik secara tidak sengaja, tuil penguncian disediakan. Untuk memulakan alat, tolak masuk tuil penguncian (B) dan tarik pemacu (A) suis. Lepaskan pemacu suis untuk berhenti. Untuk operasi berterusan, tolak masuk tuil penguncian (B), tarik pemacu suis dan kemudian tolak lebih jauh tuil penguncian (B). Untuk menghentikan alat dari kedudukan terkunci, tarik pemacu suis (A) sepenuhnya, kemudian lepaskan.

## PEMASANGAN

### ⚠️ **PERHATIAN:**

- Sentiasa pastikan alat dimatikan dan palamnya dicabut sebelum menjalankan apa-apa kerja pada alat.

## Memasang genggam sisi (pemegang)

### ⚠️ **PERHATIAN:**

- Sentiasa pastikan genggam sisi dipasang dengan kukuh sebelum operasi.

► **Rajah4**

Skru genggam sisi dengan kukuh pada kedudukan alat seperti yang ditunjukkan dalam rajah.

## Memasang pemegang gelung (Aksesori pilihan)

### ⚠️ **PERHATIAN:**

- Sentiasa pastikan pemegang gelung dipasang dengan kukuh sebelum operasi.

► **Rajah5:** 1. Tonjolan pemegang gelung 2. Lubang pemadan dalam perumah gear

Sentiasa pasang pemegang gelung pada alat sebelum operasi. Pegang pemegang suis dan pemegang gelung dengan kemas menggunakan kedua-dua belah tangan semasa operasi.

Pasangkan pemegang gelung supaya tonjolannya akan muat ke dalam lubang pemadan dalam perumah gear.

Pasangkan bolt dan ketatkannya dengan kunci allen.

Pemegang gelung boleh dipasang dalam dua arah berbeza seperti yang ditunjukkan dalam rajah, dalam arah paling mudah untuk kerja anda.

► **Rajah6:** 1. Pemegang gelung 2. Kunci allen 3. Bolt

► **Rajah7:** 1. Pemegang gelung 2. Kunci allen 3. Bolt

## Memasang atau menanggalkan pengadang roda (Untuk roda tengah lekuk, berbilang cakera / roda pemotongan las, roda intan)

### Untuk alat dengan pengadang roda jenis skru mengunci

#### ⚠️ **PERHATIAN:**

- Apabila menggunakan roda pengisaran tengah lekuk/Berbilang cakera, berus roda wayar atau roda pemotongan, pengadang roda mesti dipasang pada alat supaya sisi tertutup pengadang sentiasa menghala ke arah pengendali.

#### ► **Rajah8:** 1. Pengadang roda 2. Skru 3. Kotak galas

Lekapkan pengadang roda dengan tonjolan pada jalur pengadang roda dijajarkan dengan takuk pada kotak galas. Kemudian putar pengadang roda kira-kira 180 darjah mengikut lawan arah jam. Pastikan anda mengetatkan skru dengan kemas.

Untuk menanggalkan pengadang roda, ikut prosedur pemasangan secara terbalik.

## Memasang atau menanggalkan roda pengisaran tengah lekuk/Berbilang cakera (aksesori pilihan)

#### ⚠️ **AMARAN:**

- Sentiasa gunakan pengadang yang dibekalkan apabila roda pengisaran tengah lekuk/Berbilang cakera berada pada alat. Roda boleh berkecai semasa digunakan dan pengadang membantu mengurangkan kemungkinan berlaku kecederaan diri.

#### ► **Rajah9:** 1. Nat kunci 2. Roda pengisaran tengah lekuk/Berbilang cakera 3. Bibir dalaman

Lekapkan bibir dalaman kepada spindel. Sesuaikan roda/cakera pada bibir dalaman dan skru nat kunci kepada spindel.

Untuk mengetatkan nat kunci, tekan kunci aci dengan kukuh supaya spindel tidak dapat berputar, kemudian gunakan perengkuh nat kunci dan ketatkan mengikut arah jam dengan kemas.

#### ► **Rajah10:** 1. Perengkuh nat kunci 2. Kunci aci

Untuk menanggalkan roda, ikut prosedur pemasangan secara terbalik.

## OPERASI

#### ⚠️ **AMARAN:**

- Tidak perlu memaksa alat. Berat alat memberikan tekanan yang mencukupi. Pemaksaan dan tekanan berlebihan boleh menyebabkan bahaya pecahnya roda.
- SENTIASA menggantikan roda jika alat terjatuh semasa mengisar.
- JANGAN SEKALI-KALI menghentam atau memukul cakera atau roda pengisaran supaya berfungsi.
- Elakkan roda daripada melantun dan terhalang, terutamanya bekerja di sudut, pinggir yang tajam dsb. Ini boleh menyebabkan hilang kawalan dan tolak keluar.
- JANGAN SEKALI-KALI menggunakan alat dengan bilah pemotong kayu dan bilah gergaji yang lain. Bilah yang sedemikian apabila digunakan pada pengisar akan kerap menendang dan menyebabkan hilang kawalan yang menyebabkan kecederaan diri.

#### ⚠️ **PERHATIAN:**

- Selepas operasi, sentiasa matikan alat dan tunggu sehingga roda berhenti sepenuhnya sebelum meletakkan alat di bawah.

## Operasi pengisaran dan pengempelasan

#### ► **Rajah11**

SENTIASA pegang alat dengan kemas dengan satu tangan pada pemegang belakang dan satu lagi tangan pada pemegang sisi. Hidupkan alat dan kemudian kenakan roda atau cakera pada bahan kerja.

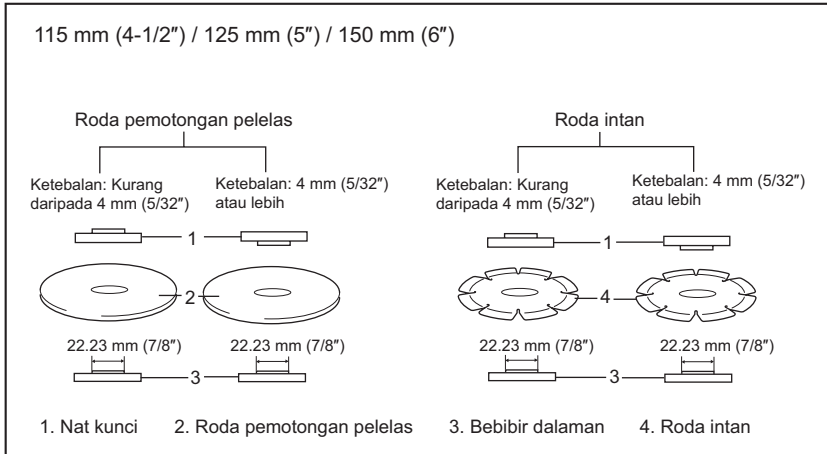
Secara umum, pastikan pinggir roda atau cakera pada sudut kira-kira 15 darjah kepada permukaan bahan kerja.

Semasa tempoh masa rehat dengan roda baharu, jangan jalankan pengisar dalam arah B atau ia akan memotong bahan kerja. Sebaik sahaja pinggir roda menjadi bulat setelah digunakan, roda mungkin berfungsi dalam kedua-dua arah A dan B.

## Operasi dengan roda intan / pemotong lelas (aksesori pilihan)

- **Rajah12:** 1. Nat kunci 2. Roda pemotongan pelepas/roda intan 3. Bebibir dalaman 4. Pengadang roda untuk pemotongan pelepas/roda intan

Arahan untuk melepaskan nat kunci dan bebibir dalaman berbeza-beza mengikut ketebalan roda. Rujuk jadual di bawah.



### ⚠️ AMARAN:

- Apabila menggunakan roda intan / pemotong lelas, pastikan anda menggunakan hanya pengadang roda khas yang direka untuk kegunaan dengan roda pemotong.
- **JANGAN SEKALI-KALI** menggunakan roda pemotong untuk pengisaran sisi.
- Jangan biarkan roda "tersekat" atau mengenakan tekanan berlebihan. Jangan cuba membuat kedalaman potongan yang berlebihan. Mengenaikan tekanan yang berlebihan kepada roda akan meningkatkan beban dan kecenderungan untuk berputar atau mengikat roda dalam potongan dan kemungkinan tolak keluar.
- Jangan mulakan operasi pemotongan dalam bahan kerja. Biarkan roda mencapai kelajuan penuh dan berhati-hati masuk ke dalam potongan dan menggerakkan alat ke depan pada permukaan bahan kerja. Roda boleh tersangkut, berjalan ke atau tolak keluar jika alat kuasa dimulakan semula dalam bahan kerja.
- Semasa operasi pemotongan, jangan sekali-kali mengubah sudut roda. Mengenaikan tekanan sisi pada roda pemotong (sebagaimana dalam pengisaran) akan menyebabkan roda retak dan pecah, seterusnya menyebabkan kecederaan diri yang serius.
- Roda intan hendaklah dikendalikan tegak lurus kepada bahan yang sedang dipotong.

## PENYELENGGAAN

### ⚠️ PERHATIAN:

- Sentiasa pastikan alat dimatikan dan palangnya dicabut sebelum cuba menjalankan pemeriksaan atau penyelenggaraan.
- Jangan gunakan gasolin, benzin, pencair, alkohol atau bahan yang serupa. Ia boleh menyebabkan perubahan warna, bentuk atau keretakan.

Alat dan bolong udaranya perlu sentiasa bersih. Bersihkan bolong udara alat dengan kerap atau apabila bolong tersebut mula tersekat.

- **Rajah13:** 1. Bolong ekzos 2. Bolong penyedutan

## Menggantikan berus karbon

- **Rajah14:** 1. Tanda had

Keluarkan dan periksa berus karbon dengan kerap. Gantikan ia apabila ia telah haus sehingga tanda had. Pastikan berus karbon sentiasa bersih dan bebas untuk dimasukkan ke dalam pemegang. Kedua-dua berus karbon harus diganti pada masa yang sama. Gunakan hanya berus karbon yang serupa. Gunakan pemutar skru untuk menanggalkan penutup pemegang berus. Keluarkan berus karbon yang telah haus, masukkan berus baharu dan kukuhkan penutup pemegang berus.

- **Rajah15:** 1. Penutup pemegang berus 2. Pemutar skru

Untuk mengekalkan KESELAMATAN dan KEBOLEHPERCAYAAN produk, pembaikan, sebarang penyelenggaraan atau penyesuaian lain perlu dilakukan oleh Pusat Servis Makita yang Diiktiraf, sentiasa gunakan alat ganti Makita.

# AKSESORI PILIHAN

## **⚠️ PERHATIAN:**

- Aksesori atau alat tambahan ini adalah disyorkan untuk digunakan dengan alat Makita anda yang dinyatakan dalam manual ini. Penggunaan mana-mana aksesori atau alat tambahan lain mungkin mengakibatkan risiko kecederaan kepada orang. Hanya gunakan aksesori atau alat tambahan untuk tujuan yang dinyatakannya.
- Alat anda dibekalkan dengan pengadang untuk digunakan dengan roda pengisar tengah lekuk, berbilang cakera dan berus roda wayar. Roda pemotongan boleh juga digunakan sebagai pengadang pilihan. Jika anda ingin menggunakan pengisar Makita anda dengan aksesori-aksesori yang diluluskan yang anda beli daripada pengedar atau pusat servis Makita, pastikan untuk mendapatkan dan menggunakan semua pengetat dan pengadang yang diperlukan seperti yang disyorkan dalam manual ini. Kegagalan anda untuk berbuat demikian boleh mengakibatkan kecederaan diri pada anda dan orang lain.

Jika anda memerlukan sebarang bantuan untuk maklumat lebih lanjut mengenai aksesori ini, tanya Pusat Perkhidmatan Makita tempatan anda.

- Pengadang roda (penutup roda) untuk roda tengah lekuk / berbilang cakera
- Pengadang roda (penutup roda) untuk roda pemotongan pelepas / roda berlian
- Roda tengah lekuk
- Roda pemotongan pelepas
- Berbilang cakera
- Roda intan
- Berus cawan wayar
- Berus serong wayar 85
- Cakera lelas
- Bebibir dalaman
- Nat kunci untuk roda tengah lekuk / roda pemotongan lelas / berbilang cakera / roda intan
- Nat kunci untuk cakera lelas
- Perengkuh nat kunci
- Genggaman sisi
- Pad getah
- Pemasangan penutup habuk

## **NOTA:**

- Beberapa item dalam senarai mungkin disertakan dalam pakej alat sebagai aksesori standard. Item mungkin berbeza mengikut negara.

# THÔNG SỐ KỸ THUẬT

Kiểu	GA5010	GA5011	GA6010	GA6011
Đường kính đĩa mài trung tâm bị nén xuống	125 mm		150 mm	
Độ dày đĩa mài tối đa	6,4 mm	6,4 mm	6,4 mm	6,4 mm
Ren của trụ quay	M14		M14	
Tốc độ định mức (n) / Tốc độ không tải (n <sub>0</sub> )	12.000 min <sup>-1</sup>		10.000 min <sup>-1</sup>	
Tổng chiều dài	356 mm	384 mm	356 mm	384 mm
Khối lượng tịnh	2,6 kg		2,7 kg	
Cấp an toàn	□/II			

- Do chương trình nghiên cứu và phát triển liên tục của chúng tôi nên các thông số kỹ thuật trong đây có thể thay đổi mà không cần thông báo trước.
- Các thông số kỹ thuật có thể thay đổi tùy theo từng quốc gia.
- Khối lượng tùy theo Quy trình EPTA tháng 01/2003

## Các biểu tượng

Phần dưới đây cho biết các ký hiệu được dùng cho thiết bị. Đảm bảo rằng bạn hiểu rõ ý nghĩa của các ký hiệu này trước khi sử dụng.



Đọc tài liệu hướng dẫn.



CÁCH ĐIỆN CẤP 2



Mang kính an toàn.



Chỉ dành cho các quốc gia châu Âu  
Không thái bỏ thiết bị điện cùng với các chất thải sinh hoạt!  
Đề tuân thủ Chỉ thị của Châu Âu, về Thiết bị Điện và Điện tử Thái bỏ và thi hành những chỉ thị này phù hợp với luật lệ quốc gia, thiết bị điện tử không còn sử dụng được nữa phải được thu nhặt riêng và đưa trở lại một cơ sở tái chế tương thích với môi trường.

## Mục đích sử dụng

Dụng cụ này chỉ được dùng để mài, chà nhám và cắt kim loại và các vật liệu bằng đá mà không cần sử dụng nước.

## Nguồn cấp điện

Dụng cụ này chỉ được nối với nguồn cấp điện có điện áp giống như đã chỉ ra trên biển tên và chỉ có thể được vận hành trên nguồn điện AC một pha. Chúng được cách điện hai lớp và do đó cũng có thể được sử dụng từ các ổ cắm điện không có dây tiếp đất.

## Cảnh báo An toàn Chung dành cho Dụng cụ Máy

**⚠CẢNH BÁO** Đọc tất cả các cảnh báo an toàn và hướng dẫn. Việc không tuân theo các cảnh báo và hướng dẫn có thể dẫn đến điện giật, hỏa hoạn và/hoặc thương tích nghiêm trọng.

## Lưu giữ tất cả cảnh báo và hướng dẫn để tham khảo sau này.

Thuật ngữ "dụng cụ máy" ở mục cảnh báo là nói đến dụng cụ máy dùng điện (có dây) hoặc dụng cụ máy dùng pin (không dây).

### An toàn tại nơi làm việc

1. **Giữ nơi làm việc sạch sẽ và có đủ ánh sáng.**  
Nơi làm việc bừa bộn hoặc tối thường dễ gây ra tai nạn.
2. **Không vận hành dụng cụ máy trong môi trường cháy nổ, ví dụ như môi trường có sự hiện diện của các chất lỏng, khí hoặc bụi dễ cháy.** Các dụng cụ máy tạo tia lửa điện có thể làm bụi hoặc khí bốc cháy.
3. **Giữ trẻ em và người ngoài tránh xa nơi làm việc khi đang vận hành dụng cụ máy.** Sự xao lãng có thể khiến bạn mất khả năng kiểm soát.

### An toàn về Điện

4. **Phích cắm của dụng cụ máy phải khớp với ổ cắm. Không được sửa đổi phích cắm theo bất kỳ cách nào. Không sử dụng bất kỳ phích chuyên đổi nào với các dụng cụ máy được nối đất (tiếp đất).** Các phích cắm còn nguyên vẹn và ổ cắm phù hợp sẽ giảm nguy cơ điện giật.
5. **Tránh để cơ thể tiếp xúc với các bề mặt nóng hoặc tiếp đất như đường ống, bộ tản nhiệt, bếp ga và tủ lạnh.** Nguy cơ bị điện giật sẽ tăng lên nếu cơ thể bạn được nối đất hoặc tiếp đất.

6. **Không để dụng cụ máy tiếp xúc với mưa hoặc trong điều kiện ẩm ướt.** Nước lọt vào dụng cụ máy sẽ làm tăng nguy cơ điện giật.
7. **Không làm dụng cụ dây điện. Không được phép sử dụng dây để mang, kéo hoặc tháo phích cắm dụng cụ máy. Giữ dây tránh xa nguồn nhiệt, dầu, các mép sắc hoặc các bộ phận chuyển động.** Dây bị hỏng hoặc bị rối sẽ làm tăng nguy cơ điện giật.
8. **Khi vận hành dụng cụ máy ngoài trời, hãy sử dụng dây kéo dài phù hợp cho việc sử dụng ngoài trời.** Việc dùng dây phù hợp cho việc sử dụng ngoài trời sẽ giảm nguy cơ điện giật.
9. **Nếu bắt buộc phải vận hành dụng cụ máy ở nơi ẩm ướt, hãy sử dụng nguồn cấp điện được bảo vệ bằng thiết bị ngắt dòng điện rò (RCD).** Việc sử dụng RCD sẽ giảm nguy cơ điện giật.
10. **Chúng tôi luôn khuyến bạn sử dụng nguồn cấp điện qua thiết bị RCD có thể ngắt dòng điện rò định mức 30mA hoặc thấp hơn.**

#### **An toàn Cá nhân**

11. **Luôn tinh táo, quan sát những việc bạn đang làm và sử dụng những phán đoán theo kinh nghiệm khi vận hành dụng cụ máy. Không sử dụng dụng cụ máy khi bạn đang mệt mỏi hoặc chịu ảnh hưởng của ma túy, rượu hay thuốc.** Chỉ một khoảnh khắc không tập trung khi đang vận hành dụng cụ máy cũng có thể dẫn đến thương tích cá nhân nghiêm trọng.
  12. **Sử dụng thiết bị bảo hộ cá nhân. Luôn đeo thiết bị bảo vệ mắt.** Các thiết bị bảo hộ như mặt nạ chống bụi, giày an toàn chống trượt, mũ bảo hộ hay thiết bị bảo vệ thính giác được sử dụng trong các điều kiện thích hợp sẽ giúp giảm thương tích cá nhân.
  13. **Tránh vô tình khởi động dụng cụ máy. Đảm bảo công tắc ở vị trí off (tắt) trước khi nối nguồn điện và/hoặc bộ pin, cầm hoặc mang dụng cụ máy.** Việc mang dụng cụ máy khi đang đặt ngón tay ở vị trí công tắc hoặc cấp điện cho dụng cụ máy đang bật thường dễ gây ra tai nạn.
  14. **Tháo mọi khóa hoặc chốt vận hành trước khi bật dụng cụ máy.** Việc chia vận hoặc khóa vẫn còn gắn vào bộ phận quay của dụng cụ máy có thể dẫn đến thương tích cá nhân.
  15. **Không với quá cao. Luôn giữ thăng bằng tốt và có chỗ để chân phù hợp.** Điều này cho phép điều khiển dụng cụ máy tốt hơn trong những tình huống bất ngờ.
  16. **Ăn mặc phù hợp. Không mặc quần áo rộng hay đeo đồ trang sức. Giữ tóc, quần áo và găng tay tránh xa các bộ phận chuyển động.** Quần áo rộng, đồ trang sức hay tóc dài có thể mắc vào các bộ phận chuyển động.
  17. **Nếu các thiết bị được cung cấp để kết nối các thiết bị thu gom và hút bụi, hãy đảm bảo chúng được kết nối và sử dụng hợp lý.** Việc sử dụng thiết bị thu gom bụi có thể làm giảm những mối nguy hiểm liên quan đến bụi.
- Sử dụng và bảo quản dụng cụ máy**

18. **Không dùng lực đối với dụng cụ máy. Sử dụng đúng dụng cụ máy cho công việc của bạn.** Sử dụng đúng dụng cụ máy sẽ giúp thực hiện công việc tốt hơn và an toàn hơn theo giá trị định mức được thiết kế của dụng cụ máy đó.

19. **Không sử dụng dụng cụ máy nếu công tắc không bật và tắt được dụng cụ máy đó.** Mọi dụng cụ máy không thể điều khiển được bằng công tắc đều rất nguy hiểm và phải được sửa chữa.
20. **Rút phích cắm ra khỏi nguồn điện và/hoặc ngắt kết nối bộ pin khỏi dụng cụ máy trước khi thực hiện bất kỳ công việc điều chỉnh, thay đổi phụ tùng hay cất giữ dụng cụ máy nào.** Những biện pháp an toàn phòng ngừa này sẽ giảm nguy cơ vô tình khởi động dụng cụ máy.
21. **Cất giữ các dụng cụ máy không sử dụng ngoài tầm với của trẻ em và không cho bất kỳ người nào không có hiểu biết về dụng cụ máy hoặc các hướng dẫn này vận hành dụng cụ máy.** Dụng cụ máy sẽ rất nguy hiểm nếu được sử dụng bởi những người dùng chưa qua đào tạo.
22. **Bảo quản dụng cụ máy. Kiểm tra tình trạng lệch trục hoặc bó kẹt của các bộ phận chuyển động, hiện tượng nứt vỡ của các bộ phận và mọi tình trạng khác mà có thể ảnh hưởng đến hoạt động của dụng cụ máy. Nếu có hỏng hóc, hãy sửa chữa dụng cụ máy trước khi sử dụng.** Nhiều tai nạn xảy ra là do không bảo quản tốt dụng cụ máy.
23. **Luôn giữ cho dụng cụ cất được sắc bén và sạch sẽ.** Những dụng cụ cất được bảo quản tốt có mép cắt sắc sẽ ít bị kẹt hơn và dễ điều khiển hơn.
24. **Sử dụng dụng cụ máy, phụ tùng và đầu dụng cụ cắt, v.v... theo các hướng dẫn này, có tính đến điều kiện làm việc và công việc được thực hiện.** Việc sử dụng dụng cụ máy cho các công việc khác với công việc dự định có thể gây nguy hiểm.

#### **Bảo dưỡng**

25. **Để nhân viên sửa chữa đủ trình độ bảo dưỡng dụng cụ máy của bạn và chỉ sử dụng các bộ phận thay thế đồng nhất.** Việc này sẽ đảm bảo duy trì được độ an toàn của dụng cụ máy.
26. **Tuân theo hướng dẫn dành cho việc bôi trơn và thay phụ tùng.**
27. **Giữ tay cầm khô, sạch, không dính dầu và mỡ.**

### **CẢNH BÁO AN TOÀN ĐỐI VỚI MÁY MÀI**

**Cảnh báo an toàn chung cho các thao tác mài, chà nhám, đánh bàn chải kim loại, hoặc cắt nhám:**

1. **Dụng cụ máy này có chức năng như một máy mài, máy chà nhám, chổi sắt kim loại hoặc dụng cụ cắt.** Xin đọc tất cả các cảnh báo an toàn, hướng dẫn, minh họa và thông số kỹ thuật đi kèm với dụng cụ máy này. Việc không tuân theo các hướng dẫn được liệt kê dưới đây có thể dẫn đến điện giật, hỏa hoạn và/hoặc thương tích nghiêm trọng.
2. **Các thao tác như đánh bóng không được khuyến khích thực hiện bằng dụng cụ máy này.** Các thao tác mà dụng cụ máy này không được thiết kế để thực hiện có thể tạo ra nguy hiểm và gây thương tích cá nhân.

3. **Không được dùng các phụ kiện không được thiết kế đặc biệt và không theo khuyến cáo của nhà sản xuất dụng cụ.** Bởi nếu có thể gắn phụ kiện đó vào máy dụng cụ của bạn thì điều đó hoàn toàn không đảm bảo việc vận hành máy an toàn.
  4. **Tốc độ định mức của phụ kiện ít nhất phải bằng tốc độ tối đa được đánh dấu trên dụng cụ máy này.** Các phụ kiện chạy nhanh hơn tốc độ định mức của chúng có thể bị vỡ và bay ra ngoài.
  5. **Đường kính bên ngoài và độ dày của phụ kiện phải nằm trong mức đánh giá công suất của dụng cụ máy của bạn.** Các phụ kiện có kích thước không chính xác không thể được bảo vệ hoặc kiểm soát một cách đầy đủ.
  6. **Lắp ren của phụ kiện phải khớp với ren của trục quay máy mài. Đối với các phụ kiện được gắn bằng vành, lỗ trục tâm của phụ kiện đó phải vừa khít với đường kính định vị của vành.** Các phụ kiện không khớp với phần kim loại lắp ghép của dụng cụ máy sẽ bị mất cân bằng, rung động quá mức và có thể gây ra chấn thương.
  7. **Không sử dụng phụ kiện đã hư hỏng. Trước mỗi lần sử dụng, kiểm tra phụ kiện như đĩa nhám xem có các vết nứt và vết nứt hay không, tấm đặt lót xem có nứt gãy hoặc bị ăn mòn quá mức không, sợi kim loại của chổi sắt kim loại có bị lỏng hoặc nứt không. Nếu dụng cụ máy hoặc phụ kiện bị rơi, hãy kiểm tra hư hỏng hoặc lắp lại phụ kiện không bị hư hại. Sau khi kiểm tra và cài đặt phụ kiện, hãy tìm chỗ đứng cho bản thân mình và những người xung quanh để tránh xa mặt phẳng phụ kiện quay và chạy dụng cụ máy này ở tốc độ không tải tối đa trong vòng một phút.** Phụ kiện bị hư hỏng thông thường sẽ bị vỡ trong thời gian thử nghiệm này.
  8. **Mang thiết bị bảo hộ cá nhân. Tùy thuộc vào việc sử dụng máy, hãy dùng mặt nạ bảo vệ mặt, kính bảo hộ hoặc kính an toàn. Khi thích hợp, hãy mang mặt nạ chống bụi, dụng cụ bảo vệ thính giác, găng tay và tạp dề làm việc có khả năng ngăn chặn các mảnh mài mòn hoặc mảnh vỡ từ vật gia công. Thiết bị bảo vệ mắt phải có khả năng ngăn chặn các mảnh vụn bay ra phát sinh bởi các hoạt động khác nhau. Mặt nạ chống bụi hoặc khẩu trang phải có khả năng lọc được các hạt tạo ra bởi hoạt động của bạn. Tiếp xúc kéo dài với tiếng ồn có cường độ cao có thể gây ra mất thính giác.**
  9. **Giữ những người xung quanh tránh xa nơi làm việc một khoảng cách an toàn. Bất cứ ai bước vào khu vực làm việc đều phải đeo thiết bị bảo hộ cá nhân.** Các mảnh vỡ của vật gia công hoặc phụ kiện bị vỡ có thể bắn ra và gây thương tích bên ngoài khu vực thao tác cạnh đó.
  10. **Chỉ cầm dụng cụ máy bằng bề mặt kẹp cách điện khi thực hiện một thao tác trong đó bộ phận cắt có thể tiếp xúc với dây dẫn kim hoặc dây của chính nó. Phụ kiện cắt tiếp xúc với dây dẫn "có điện" có thể khiến các bộ phận kim loại bị hở của dụng cụ máy "có điện" và làm cho người vận hành bị điện giật.**
  11. **Đặt dây dẫn không để vướng phụ kiện quay. Nếu bạn bị mất kiểm soát, dây dẫn có thể bị cắt hoặc bị quấn và bản tay hoặc cánh tay của bạn có thể bị kéo vào phụ kiện quay đó.**
  12. **Không bao giờ đặt dụng cụ máy xuống cho đến khi phụ kiện đã dừng hẳn. Phụ kiện quay có thể quán lấy bề mặt và kéo công cụ máy vượt khỏi tầm kiểm soát của bạn.**
  13. **Không được chạy dụng cụ máy trong lúc đang mang bên hông bạn. Tiếp xúc bất ngờ với phụ kiện quay có thể quán lấy quần áo của bạn, kéo phụ kiện văng vào người bạn.**
  14. **Thường xuyên làm sạch các lỗ thông hơi của dụng cụ máy. Quạt của động cơ sẽ thu hút bụi vào bên trong vỏ và nhiều bột kim loại tích tụ có thể gây ra các nguy hiểm về điện.**
  15. **Không vận hành công cụ máy gần các vật liệu dễ cháy. Các tia lửa có thể kích cháy các vật liệu này.**
  16. **Không sử dụng các phụ kiện có yêu cầu chất làm mát dạng lỏng. Sử dụng chất làm mát bằng nước hoặc chất lỏng khác có thể dẫn đến điện giật hoặc sốc.**
- Lực đẩy ngược và Cảnh Báo Lên Quan**  
 Lực đẩy ngược là phản ứng bất ngờ đối với đĩa mài, tấm đặt lót, chổi hoặc bất cứ phụ kiện nào khác đang quay nhưng bị kẹt hoặc bị quấn. Việc bị kẹt hoặc quấn sẽ làm phụ kiện đang quay bị dừng nhanh chóng và do đó dụng cụ máy không kiểm soát được sẽ bị buộc phải theo hướng đối diện hướng quay của phụ kiện tại điểm bị ràng buộc.  
 Ví dụ, nếu đĩa nhám bị quấn hoặc kẹt bởi vật gia công, phần mép của đĩa đang đi vào điểm kẹt có thể cày xới bề mặt vật liệu làm đĩa nhám trượt hoặc văng ra ngoài. Đĩa nhám có thể hoặc bật ra về gần hoặc xa khỏi người vận hành, tùy thuộc vào hướng chuyển động của đĩa nhám tại điểm kẹt. Đĩa nhám cũng có thể bị vỡ trong những tình huống này.  
 Lực đẩy ngược là kết quả của việc dùng dụng cụ máy không đúng và/hoặc do các quy trình vận hành hoặc các điều kiện không chính xác và có thể tránh được bằng cách thực hiện các biện pháp phòng ngừa thích hợp như được nêu dưới đây.
- a) **Nắm giữ chắc dụng cụ máy và chọn thể đứng và vị trí tay cầm để cho phép bạn chống lại lực đẩy ngược. Luôn sử dụng tay cầm phụ, nếu được cung cấp, để kiểm soát tối đa lực đẩy ngược hoặc mô-men xoắn trong lúc khởi động.** Người vận hành máy có thể kiểm soát mô-men xoắn hay lực đẩy ngược nếu thực hiện các biện pháp phòng ngừa đúng cách.
  - b) **Không bao giờ đặt tay bạn gần phụ kiện quay. Phụ kiện có thể quạt ngược lại lên tay bạn.**
  - c) **Không đứng tại vị trí nơi dụng cụ máy sẽ bị đẩy tới nếu xảy ra lực đẩy ngược. Lực đẩy ngược sẽ làm xoay dụng cụ theo hướng ngược lại chuyển động của đĩa mài tại vị trí bị quấn.**
  - d) **Cần đặc biệt cẩn thận khi thao tác với các cạnh góc, mép sắc, v.v... Tránh làm đội ra và quấn vào phụ kiện. Các góc, mép sắc hoặc đội ra có xu hướng làm quấn lấy phụ kiện đang quay và gây mất kiểm soát hoặc tạo lực đẩy ngược.**
  - e) **Không được gắn lưỡi xích cưa khắc gỗ hoặc lưỡi cưa răng. Các loại lưỡi như vậy thường tạo ra lực đẩy ngược và dễ mất kiểm soát.**



## **Cảnh Báo An Toàn Cụ Thể Cho Thao Tác Mài Và Cát Nhám:**

a) **Chỉ sử dụng các loại đĩa mài được khuyến cáo cho dụng cụ máy của bạn và phần bảo vệ cụ thể được thiết kế cho đĩa mài được chọn.**

Các đĩa mài mà dụng cụ máy này không được thiết kế cho chúng sẽ không thể được bảo vệ đầy đủ và thường không an toàn.

b) **Bề mặt tay cầm của đĩa mài trung tâm bị nén xuống phải được gắn dưới mặt phẳng của mép phần bảo vệ.** Đĩa mài gắn không đúng cách nhô ra khỏi mặt phẳng của mép phần bảo vệ sẽ không thể được bảo vệ đầy đủ.

c) **Phần bảo vệ phải được gắn chặt vào dụng cụ máy và được để ở vị trí an toàn tối đa, do đó số đĩa mài tiếp xúc với người vận hành là ít nhất.** Phần bảo vệ giúp bảo vệ người vận hành khỏi mảnh vỡ từ đĩa mài bị vỡ, tiếp xúc bất ngờ với đĩa mài và các tia lửa có thể kích cháy quần áo.

d) **Chỉ sử dụng đĩa mài cho các ứng dụng được khuyến nghị.** Ví dụ: không mài với mặt bên của đĩa cắt. Đĩa mài cắt nhám được dùng để mài ngoại vi, tác dụng lực mặt bên lên những đĩa mài này có thể khiến chúng vỡ vụn.

e) **Luôn luôn sử dụng vành đĩa mài không bị hư hại có kích thước và hình dạng chính xác cho đĩa mài bạn đã chọn.** Các vành đĩa mài phù hợp sẽ hỗ trợ đĩa mài giảm bớt khả năng bị vỡ đĩa mài. Các vành dành cho đĩa cắt có thể khác với các vành dành cho đĩa mài.

f) **Không sử dụng các đĩa đã bị mài mòn từ các dụng cụ máy lớn hơn.** Đĩa mài dùng cho dụng cụ máy lớn hơn sẽ không phù hợp với tốc độ cao hơn của dụng cụ nhỏ và có thể nổ.

## **Cảnh Báo An Toàn Bổ Sung Chỉ Định Cho Thao Tác Cát Nhám:**

a) **Không làm “kẹt” đĩa cắt hoặc dùng lực quá nhiều.** Không có thực hiện chiều sâu cắt quá mức. Dùng lực quá nhiều lên đĩa mài sẽ làm tăng tải trọng và dễ bị xoắn hoặc bó kẹt đĩa mài khi cắt và có khả năng đẩy ngược hoặc bật vỡ đĩa mài.

b) **Không được để có thể bật thang hàng và phía sau đĩa mài đang quay.** Khi đĩa mài, ở điểm vận hành, đang di chuyển ra xa cơ thể bạn, lực bật ngược có thể xảy ra có thể có thể đẩy đĩa mài quay và dụng cụ máy trực tiếp về phía bạn.

c) **Khi đĩa mài bị bó kẹt hoặc khi đường cắt bị gián đoạn vì bất kỳ lý do nào, hãy tắt dụng cụ máy và giữ dụng cụ máy đứng im cho đến khi đĩa mài hoàn toàn dừng lại.** Không được cố gỡ đĩa cắt ra khỏi đường cắt khi đĩa mài vẫn đang chuyển động nếu không có thể xảy ra hiện tượng bật ngược lại. Kiểm tra và tiến hành khắc phục để loại bỏ nguyên nhân gây bó kẹt đĩa mài.

d) **Không khởi động lại thao tác cắt trong phôi gia công.** Để đĩa mài đạt đến tốc độ tối đa và cẩn thận nhập lại đường cắt. Đĩa mài có thể bị bó kẹt, bật lên hoặc bật ngược lại nếu dụng cụ máy được khởi động lại trong phôi gia công.

e) **Đỡ tấm ván hoặc phôi gia công có kích thước quá lớn để giảm thiểu nguy cơ làm kẹt bó đĩa và bật ngược lại.** Phôi gia công lớn thường có xu hướng võng xuống do khối lượng của nó. Phải đặt các giá đỡ dưới phôi gia công gần đường cắt và gần cạnh của phôi gia công ở cả hai phía của đĩa mài.

f) **Đặc biệt cẩn trọng khi thực hiện “cắt luân” vào các tường có sẵn hoặc các vùng khó nhìn khác.** Đĩa mài nhô ra có thể cắt phải ống ga hoặc ống nước, dây điện hoặc các vật có khả năng gây nên hiện tượng bật lại.

## **Cảnh báo an toàn chỉ định cho thao tác chà nhám:**

a) **Không sử dụng giấy chà nhám dạng đĩa có khổ quá lớn.** Làm theo các khuyến nghị của nhà sản xuất khi lựa chọn giấy nhám. Giấy nhám lớn hơn vượt ra khỏi tấm đánh nhám sẽ dễ gây nguy hiểm rách giấy và có thể gây quẩn, xé rách đĩa hoặc tạo lực đẩy ngược.

## **Cảnh báo an toàn chỉ định cho thao tác đánh bàn chải kim loại:**

a) **Cần biết rằng các sợi lông cứng bằng kim loại sẽ bị văng ra khỏi chổi ngay cả trong quá trình vận hành bình thường.** Không dùng lực ứng suất vượt tải lên sợi kim loại bằng cách áp tải quá mức lên chổi. Các sợi lông cứng bằng kim loại có thể dễ dàng xuyên qua quần áo mỏng và/hoặc da.

b) **Nếu sử dụng phần bảo vệ được khuyến nghị để đánh bàn chải kim loại, không để cho bất kỳ đĩa sợi hoặc chổi sắt nào vướng vào phần bảo vệ.** Đĩa sợi hoặc chổi sắt có thể mở rộng đường kính do tải trọng công việc và lực ly tâm.

## **Cảnh báo an toàn bổ sung:**

17. **Chỉ sử dụng đĩa mài trung tâm bị nén xuống, hãy chắc chắn là bạn chỉ sử dụng đĩa mài có sự thủy tinh gia cố.**
18. **KHÔNG BAO GIỜ SỬ DỤNG** đĩa mài loại **Nắp chụp bằng đá** cho máy mài này. Máy mài này không được thiết kế cho những loại đĩa mài này và việc sử dụng một sản phẩm như vậy có thể gây thương tích cá nhân nghiêm trọng.
19. **Cần thận trọng không được làm hồng trục quay, vành (đặc biệt là bề mặt lắp đặt) hoặc đầu ốc khóa.** Hư hỏng đối với các bộ phận này có thể dẫn đến vỡ đĩa mài.
20. **Phải đảm bảo rằng đĩa mài không tiếp xúc với phôi gia công trước khi bật công tắc lên.**
21. **Trước khi sử dụng dụng cụ này trên phôi gia công thực, hãy để dụng cụ chạy trong ít phút.** Theo dõi sự rung động hoặc độ đưa qua lại có thể cho thấy việc lắp đặt không đạt yêu cầu hoặc đĩa mài được cân bằng kém.
22. **Sử dụng bề mặt của đĩa mài chỉ định để thực hiện mài.**
23. **Không để mặc dụng cụ hoạt động.** Chỉ vận hành dụng cụ khi cầm trên tay.
24. **Không chạm vào phôi gia công ngay sau khi vận hành; chúng có thể rất nóng và có thể gây bỏng da.**
25. **Tuân thủ các hướng dẫn của nhà sản xuất để gắn và sử dụng chính xác các đĩa mài.** Xử lý và lưu trữ các đĩa mài cẩn thận.
26. **Không sử dụng các ống đệm giảm thiểu riêng biệt hoặc các bộ tiếp nối để lắp các đĩa nhám có lỗ lớn vào.**
27. **Chỉ sử dụng các vành được quy định cho dụng cụ này.**
28. **Đối với các dụng cụ dự định sẽ được trang bị đĩa mài lỗ có ren, đảm bảo rằng các ren trong đĩa mài đủ dài để chấp nhận chiều dài trục quay.**

29. Kiểm tra xem phôi gia công đã được kê đỡ đủ chưa.
30. Chú ý rằng đĩa mài sẽ tiếp tục quay sau khi tắt dụng cụ.
31. Nếu nơi làm việc rất nóng và ẩm ướt, hoặc bị ô nhiễm nặng bởi bụi dẫn điện, hãy dùng bộ ngắt điện đoản mạch (30 mA) để bảo đảm an toàn cho người vận hành.
32. Không dùng dụng cụ này trên bất kỳ vật liệu nào có chứa amiăng.
33. Khi sử dụng đĩa cắt, luôn làm việc bằng chụp bảo vệ có công thoát bụi bắt buộc theo quy định trong nước.
34. Đĩa cắt không phải chịu bất kỳ áp lực bên nào.
35. Không sử dụng găng tay làm việc bằng vải trong khi vận hành. Sợi từ găng tay bằng vải có thể đi vào dụng cụ, làm dụng cụ hư hỏng.

## LƯU GIỮ CÁC HƯỚNG DẪN NÀY.

**⚠️ CẢNH BÁO:** KHÔNG vì đã thoải mái hay quen thuộc với sản phẩm (có được do sử dụng nhiều lần) mà không tuân thủ nghiêm ngặt các quy định về an toàn dành cho sản phẩm này. VIỆC DÙNG SAI hoặc không tuân theo các quy định về an toàn được nêu trong tài liệu hướng dẫn này có thể dẫn đến thương tích cá nhân nghiêm trọng.

## MÔ TẢ CHỨC NĂNG

### ⚠️ THẬN TRỌNG:

- Luôn bảo đảm rằng dụng cụ được tắt điện và rút phích cắm trước khi điều chỉnh hoặc kiểm tra chức năng của dụng cụ.

### Khóa trục

► Hình1: 1. Khóa trục

### ⚠️ THẬN TRỌNG:

- Không bao giờ kích hoạt khóa trục khi trục quay đang di chuyển. Dụng cụ có thể bị hư hỏng.

Nhấn khóa trục để ngăn xoay trục quay khi lắp hoặc tháo phụ kiện.

### Hoạt động công tắc

### ⚠️ THẬN TRỌNG:

- Trước khi cắm điện vào dụng cụ, luôn luôn kiểm tra xem cần khởi động công tắc có hoạt động bình thường hay không và trả về vị trí "OFF" (TẮT) khi nhả ra.

## Dành cho dụng cụ có cần khởi động công tắc loại A

► Hình2: 1. Nút khóa / Nút Nhà khóa 2. Cần khởi động công tắc

## Đối với các dụng cụ không có nút khóa và nút nhà khóa

Để khởi động dụng cụ, chỉ cần kéo cần khởi động công tắc. Nhà cần khởi động công tắc ra để dừng.

## Đối với dụng cụ có nút khóa

Để khởi động dụng cụ, chỉ cần kéo cần khởi động công tắc. Nhà cần khởi động công tắc ra để dừng.

Để tiếp tục vận hành, hãy kéo cần khởi động công tắc và sau đó nhấn vào nút khóa.

Để dừng dụng cụ từ vị trí đã khóa, hãy kéo cần khởi động công tắc hết mức, sau đó nhả ra.

## Đối với dụng cụ có nút nhà khóa

Để ngăn cần khởi động công tắc vô tình bị kéo, dụng cụ được trang bị nút nhà khóa.

Để khởi động dụng cụ, nhả nút nhà khóa và kéo cần khởi động công tắc. Nhà cần khởi động công tắc ra để dừng.

## Dành cho dụng cụ có cần khởi động công tắc loại B

► Hình3: 1. Cần khóa 2. Cần khởi động công tắc

## Đối với dụng cụ có công tắc gài khóa

Để khởi động dụng cụ, chỉ cần kéo cần khởi động công tắc (A). Nhà cần khởi động công tắc ra để dừng. Để tiếp tục vận hành, hãy kéo cần khởi động công tắc (A) và sau đó nhấn vào cần khóa (B). Để dừng dụng cụ từ vị trí đã khóa, hãy kéo cần khởi động công tắc (A) hết mức, sau đó nhả ra.

## Đối với dụng cụ có công tắc nhà khóa

Để ngăn ngừa vô tình kéo cần khởi động công tắc, dụng cụ được trang bị một cần khóa. Để khởi động dụng cụ, nhấn cần khóa (B) và kéo cần khởi động công tắc (A). Nhà cần khởi động công tắc ra để dừng.

## Đối với dụng cụ có công tắc gài khóa và nhà khóa

Để ngăn ngừa vô tình kéo cần khởi động công tắc, dụng cụ được trang bị một cần khóa. Để khởi động dụng cụ, nhấn cần khóa (B) và kéo cần khởi động công tắc (A). Nhà cần khởi động công tắc ra để dừng. Để vận hành liên tục, nhấn cần khóa (B) và kéo cần khởi động công tắc và sau đó nhấn thêm vào cần khóa (B). Để dừng dụng cụ từ vị trí đã khóa, hãy kéo cần khởi động công tắc (A) hết mức, sau đó nhả ra.

# LẮP RÁP

## ⚠️ THẬN TRỌNG:

- Luôn luôn đảm bảo rằng dụng cụ đã được tắt và tháo phích cắm trước khi dùng dụng cụ thực hiện bất cứ công việc nào.

## Lắp đặt tay cầm hông (tay cầm)

### ⚠️ THẬN TRỌNG:

- Luôn đảm bảo rằng tay cầm hông được gắn chặt trước khi vận hành.

#### ► Hình 4

Vặn tay cầm hông thật chặt trên vị trí của dụng cụ như thể hiện trên hình vẽ.

## Lắp bộ tay cầm có quai (Phụ kiện tùy chọn)

### ⚠️ THẬN TRỌNG:

- Luôn đảm bảo rằng tay cầm có quai được gắn chặt trước khi vận hành.

#### ► Hình 5: 1. Phần nhô ra của tay cầm có quai 2. Lỗ phù hợp trên vỏ hộp số

Luôn luôn lắp tay cầm có quai vào dụng cụ trước khi vận hành. Giữ tay cầm gắn công tắc của dụng cụ và tay cầm có quai chắc chắn bằng cả hai tay trong quá trình vận hành.

Lắp tay cầm có quai vào sao cho các phần nhô ra vừa khít với lỗ khác trong vỏ hộp số.

Lắp bu-lông vào và siết chặt chúng bằng cờ lê lục giác. Tay cầm có quai có thể được lắp vào theo hai hướng khác nhau như minh họa trong hình miễn là thuận tiện cho công việc của bạn.

#### ► Hình 6: 1. Tay cầm có quai 2. Cờ lê sáu cạnh 3. Bu-lông

#### ► Hình 7: 1. Tay cầm có quai 2. Cờ lê sáu cạnh 3. Bu-lông

## Lắp hoặc tháo phần bảo vệ đĩa (Dành cho đĩa mài trung tâm bị nén xuống, đĩa cắt nhám/đĩa đa năng, đĩa mài kim cương)

## Đối với dụng cụ phần bảo vệ đĩa loại vít hãm

### ⚠️ THẬN TRỌNG:

- Khi sử dụng đĩa mài trung tâm bị nén xuống/Đĩa đa năng, chổi sắt dạng đĩa mài hoặc đĩa cắt, phần bảo vệ đĩa phải được trang bị trên dụng cụ sao cho bên đóng lại của phần bảo vệ luôn chỉ về phía người vận hành.

#### ► Hình 8: 1. Phần bảo vệ đĩa 2. Vít 3. Hộp ổ đệm

Gắn phần bảo vệ đĩa với phần nhô ra trên đai của phần bảo vệ đĩa đã căn chỉnh các rãnh khía trên hộp ổ đệm. Sau đó xoay phần bảo vệ đĩa ngược chiều kim đồng hồ khoảng 180 độ. Đảm bảo đã vặn chặt bu-lông sáu cạnh.

Để tháo phần bảo vệ đĩa, hãy làm ngược lại quy trình lắp vào.

## Lắp hoặc tháo đĩa mài trung tâm bị nén xuống/đĩa đa năng (phụ kiện tùy chọn)

### ⚠️ CẢNH BÁO:

- Luôn luôn sử dụng tấm bảo vệ được cung cấp khi đĩa mài trung tâm bị nén xuống/đĩa đa năng có trên dụng cụ. Đĩa mài có thể vỡ vụn trong khi sử dụng và phần bảo vệ giúp làm giảm nguy cơ thương tích cá nhân.

#### ► Hình 9: 1. Đai ốc khóa 2. Đĩa mài trung tâm bị nén xuống/đĩa đa năng 3. Vành trong

Gắn vành trong vào trụ quay. Gắn khối đĩa mài/đĩa trên vành trong và vặn đai ốc khóa lên trụ quay.

Để vạy chặt đai ốc khóa, hãy nhấn khóa trực sao cho trục quay không thể xoay, sau đó sử dụng cờ-lê đai ốc khóa và vặn chặt lại theo chiều kim đồng hồ.

#### ► Hình 10: 1. Cờ-lê đai ốc khóa 2. Khóa trục

Để tháo đĩa mài, hãy làm ngược lại quy trình lắp vào.

# VẬN HÀNH

### ⚠️ CẢNH BÁO:

- Không cần thiết phải dùng lực lên dụng cụ. Khối lượng của dụng cụ sẽ gây ra một áp lực thích hợp. Dùng lực và dùng lực quá nhiều có thể gây vỡ đĩa mài rất nguy hiểm.
- LUÔN thay đĩa mài nếu dụng cụ bị rơi ra trong khi mài.
- KHÔNG BAO GIỜ đập hoặc đụng vào đĩa mài hoặc đĩa đang làm việc.
- Tránh dồn ép hoặc vướng vào đĩa mài, đặc biệt là khi làm việc với các góc, cạnh nhọn, v.v... Điều này có thể gây mất kiểm soát và tạo lực đẩy ngược.
- KHÔNG BAO GIỜ sử dụng công cụ có lưỡi cắt gỗ và các loại lưỡi cưa khác. Các loại lưỡi như vậy khi được sử dụng trên máy mài sẽ thường xuyên gây giật và làm mất kiểm soát dẫn đến thương tích cá nhân.

### ⚠️ THẬN TRỌNG:

- Sau khi vận hành, luôn tắt dụng cụ và chờ đến khi đĩa mài dừng hoàn toàn trước khi đặt dụng cụ xuống.

## Thao tác mài và chà nhám

### ► Hình11

LUÔN cầm chắc dụng cụ bằng một tay đặt lên tay cầm sau và tay kia đặt lên tay nắm hông. Bật dụng cụ lên và sau đó sử dụng đĩa mài hoặc đĩa nhám cho phôi gia công.

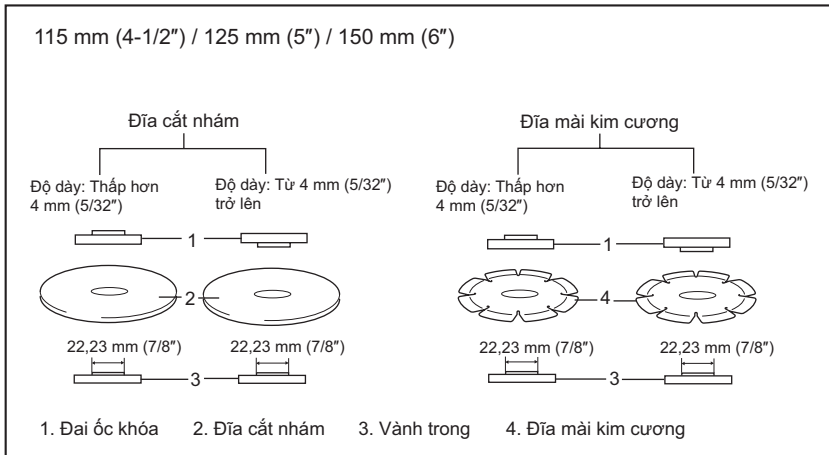
Nhìn chung, hãy giữ cạnh đĩa mài hoặc đĩa nhám ở một góc khoảng 15 độ so với bề mặt phôi gia công.

Trong giai đoạn chạy rà của đĩa mài mới, không vận hành máy mài theo hướng B, nếu không nó sẽ cắt vào phôi gia công. Một khi các cạnh của đĩa mài đã được bo tròn bằng cách sử dụng, các đĩa mài có thể được vận hành theo cả hai hướng A và B.

## Vận hành với đĩa cắt nhám/đĩa mài kim cương (phụ kiện tùy chọn)

► Hình12: 1. Đai ốc khóa 2. Đĩa cắt nhám/Đĩa mài kim cương 3. Vành trong 4. Phần bảo vệ đĩa dành cho đĩa cắt nhám/đĩa mài kim cương

Hướng gắn đai ốc khóa và vành trong sẽ khác nhau tùy theo độ dày của đĩa mài. Tham khảo bảng dưới đây.



## **⚠ CẢNH BÁO:**

- Khi sử dụng đĩa cắt nhám/đĩa mài kim cương, đảm bảo chỉ sử dụng phần bảo vệ đĩa đặc biệt được thiết kế để sử dụng với đĩa cắt.
- **KHÔNG BAO GIỜ** sử dụng đĩa cắt để mài mặt bên.
- Không làm “kẹt” đĩa mài hoặc dùng lực quá nhiều. Không cố thực hiện chiều sâu cắt quá mức. Dùng lực quá nhiều lên đĩa mài sẽ làm tăng tải trọng và dễ bị xoắn hoặc bó kẹt đĩa mài khi cắt và có khả năng đẩy ngược, vỡ đĩa mài và động cơ quá nhiệt có thể xảy ra.
- Không khởi động thao tác cắt trong phi gia công. Để đĩa mài đạt đến tốc độ tối đa và cần thận nhập lại đường cắt di chuyển dụng cụ về phía trước trên bề mặt phi gia công. Đĩa mài có thể bị bó kẹt, bật lên hoặc bật ngược lại nếu dụng cụ máy được khởi động trong phi gia công.
- Trong lúc cắt, không bao giờ thay đổi góc đĩa mài. Đặt áp lực hông trên đĩa cắt (cũng như khi mài) sẽ làm cho đĩa cắt nứt và vỡ, gây thương tích cá nhân nghiêm trọng.
- Đĩa mài kim cương nên được đặt vuông góc với vật liệu được cắt.

## **BẢO TRÌ**

### **⚠ THẬN TRỌNG:**

- Luôn bảo đảm rằng dụng cụ được tắt điện và rút phích cắm trước khi thử thực hiện việc kiểm tra hoặc bảo trì.
- Không bao giờ dùng xăng, ét xăng, dung môi, cồn hoặc hóa chất tương tự. Có thể xảy ra hiện tượng mất màu, biến dạng hoặc nứt vỡ.

Dụng cụ và các khe thông khí của nó cần phải được giữ sạch sẽ. Thường xuyên vệ sinh các khe thông khí của dụng cụ hoặc bất cứ khi nào các khe này bắt đầu bị kẹt vướng.

► **Hình13:** 1. Lỗ thông khí thải 2. Lỗ hút khí

### **Thay chổi các-bon**

► **Hình14:** 1. Vạch giới hạn

Hãy tháo và kiểm tra các chổi các-bon định kỳ. Thay thế khi chổi đã mòn đến vạch giới hạn. Giữ các chổi các-bon sạch và có thể trượt dễ dàng vào chỗ giữ chổi. Cả hai chổi các-bon phải được thay thế cùng một lúc. Chỉ sử dụng các chổi các-bon giống nhau.

Hãy sử dụng tuốc-nơ-vít để tháo các nắp giữ chổi. Hãy tháo các chổi các-bon đã bị mòn, lắp vào các chổi mới và vặn chặt các nắp giữ chổi.

► **Hình15:** 1. Nắp giữ chổi 2. Máy vận vít cầm tay hoạt động bằng động cơ điện

Để đảm bảo AN TOÀN và TIN CẬY của sản phẩm, việc sửa chữa hoặc bất cứ thao tác bảo dưỡng, điều chỉnh nào đều phải được thực hiện bởi các Trung tâm dịch vụ được ủy quyền của Makita, luôn sử dụng các phụ tùng thay thế của Makita.

## **PHỤ KIỆN TỰY CHỌN**

### **⚠ THẬN TRỌNG:**

- Các phụ kiện hoặc phụ tùng gắn thêm này được khuyến cáo sử dụng với dụng cụ Makita của bạn theo như quy định trong hướng dẫn này. Việc sử dụng bất cứ phụ kiện hoặc phụ tùng gắn thêm nào khác đều có thể gây ra rủi ro thương tích cho người. Chỉ sử dụng phụ kiện hoặc phụ tùng gắn thêm cho mục đích đã quy định sẵn của chúng.
- Dụng cụ của bạn được cung cấp cùng với một bộ phận bảo vệ để sử dụng với đĩa mài trung tâm bị nén xuống, đĩa đĩa đa năng và chổi sắt dạng đĩa mài. Đĩa cắt có cũng có thể sử dụng với phần bảo vệ tùy chọn. Nếu bạn quyết định sử dụng máy mài Makita với các phụ kiện được phê duyệt mà bạn mua từ nhà phân phối hoặc trung tâm dịch vụ Makita, hãy chắc chắn lấy và sử dụng tất cả các bộ phận kẹp và bộ phận bảo vệ cần thiết theo khuyến cáo trong hướng dẫn này. Nếu bạn không làm như vậy có thể dẫn đến thương tích cá nhân cho bạn và những người khác.

Nếu bạn cần hỗ trợ để biết thêm chi tiết về những phụ kiện này, hãy liên hệ với trung tâm dịch vụ của Makita tại địa phương của bạn.

- Phần bảo vệ đĩa (nắp đậy đĩa) dành cho đĩa mài trung tâm bị nén xuống/đĩa đa năng
- Phần bảo vệ đĩa (nắp đậy đĩa) dành cho đĩa cắt nhám/đĩa mài kim cương
- Đĩa mài trung tâm bị nén xuống
- Các đĩa cắt nhám
- Đĩa đa năng
- Đĩa mài kim cương
- Chổi sắt dạng côn
- Chổi sắt dạng côn 85
- Đĩa nhám
- Vành trong
- Đai ốc khóa dành cho đĩa mài trung tâm bị nén xuống/đĩa cắt nhám/đĩa đa năng/đĩa mài kim cương
- Đai ốc khóa dành cho đĩa nhám
- Cờ-lê đai ốc khóa
- Tay cầm hông
- Tấm cao su
- Phụ tùng tấm chắn bụi

### **LƯU Ý:**

- Một số mục trong danh sách có thể được bao gồm trong gói dụng cụ làm phụ kiện tiêu chuẩn. Các mục này ở mỗi quốc gia có thể khác nhau.





## ข้อมูลจำเพาะ

รุ่น	GA5010	GA5011	GA6010	GA6011
เส้นผ่านศูนย์กลางใบ เจียศูนย์กลาง	125 mm		150 mm	
ความหนาหล่อสูงสุด	6.4 mm	6.4 mm	6.4 mm	6.4 mm
เกลียวแกนหมุน	M14		M14	
อัตราความเร็ว (n) / ความเร็วหมุนเปล่า (n <sub>0</sub> )	12,000 min <sup>-1</sup>		10,000 min <sup>-1</sup>	
ความยาวโดยรวม	356 mm	384 mm	356 mm	384 mm
น้ำหนักสุทธิ	2.6 kg		2.7 kg	
มาตรฐานความปลอดภัย	II/II			

- เนื่องจากโปรแกรมการวิจัยและพัฒนาอย่างต่อเนื่องของเรา ข้อมูลจำเพาะในคู่มือนี้อาจมีการเปลี่ยนแปลงโดยไม่แจ้งให้ทราบล่วงหน้า
- ข้อมูลจำเพาะอาจแตกต่างกันไปในแต่ละประเทศ
- น้ำหนักตามข้อบังคับของ EPTA 01/2003

### สัญลักษณ์

ต่อไปนี้เป็นสัญลักษณ์ที่ใช้สำหรับอุปกรณ์ โปรดศึกษาความหมายของสัญลักษณ์ให้เข้าใจก่อนการใช้งาน

	อ่านคู่มือการใช้งาน
	ฉนวนสองชั้น
	สวมแว่นตานิรภัย
	สำหรับประเทศในสหภาพยุโรปเท่านั้น อย่าทิ้งอุปกรณ์ไฟฟ้าหรือแบตเตอรี่ร่วมกับ ขยะภายในครัวเรือน! ในการปฏิบัติตามกฎระเบียบของสหภาพ ยุโรปตามระเบียบว่าด้วยขยะเหลือทิ้งของ ผลิตภัณฑ์ไฟฟ้าและอิเล็กทรอนิกส์ และ วิธีนำไปใช้งานที่สอดคล้องกับกฎหมาย ภายในประเทศ ต้องทำการแยกอุปกรณ์ อิเล็กทรอนิกส์ทั้งหมดสภาพการใช้งาน และนำเข้าสู่ศูนย์รีไซเคิลที่เป็นมิตรกับสิ่งแวดล้อม

### การใช้งานที่ระบุ

เครื่องมือนี้ใช้สำหรับการตัด, การขัดด้วยกระดาษทราย และ การตัดวัสดุที่เป็นโลหะและหินโดยไม่ใช้น้ำ

### แหล่งจ่ายไฟ

ควรเชื่อมต่อเครื่องมือกับแหล่งจ่ายไฟที่มีแรงดันไฟฟ้าตามที่ระบุไว้ในป้ายข้อมูลของเครื่องมือ และจะต้องใช้ไฟฟ้ากระแสสลับแบบเฟสเดียวเท่านั้น อุปกรณ์นี้ได้รับการหุ้มฉนวนสองชั้นและสามารถใช้กับปลั๊กไฟที่ไม่มีสายดินได้

## คำเตือนด้านความปลอดภัยของเครื่องมือไฟฟ้าทั่วไป

**⚠ คำเตือน** อ่านคำเตือนด้านความปลอดภัยและคำแนะนำทั้งหมดก่อนใช้งาน การไม่ปฏิบัติตามคำเตือนและคำแนะนำดังกล่าวอาจส่งผลให้ไฟฟ้าช็อต ไฟไหม้ และ/หรือได้รับบาดเจ็บร้ายแรง

### เก็บรักษาคำเตือนและคำแนะนำทั้งหมดไว้

#### เป็นข้อมูลอ้างอิงในอนาคต

คำว่า “เครื่องมือไฟฟ้า” ในคำเตือนนี้หมายถึงเครื่องมือไฟฟ้า (มีสาย) ที่ทำงานโดยใช้กระแสไฟฟ้า หรือเครื่องมือไฟฟ้า (ไร้สาย) ที่ทำงานโดยใช้แบตเตอรี่

## ความปลอดภัยของพื้นที่ทำงาน

1. ดูแลพื้นที่ทำงานให้มีความสะอาดและมีแสงไฟสว่าง พื้นที่รกเถะระกะหรือมีสิ่งกีดขวางนำไปสู่การเกิดอุบัติเหตุได้
2. อย่าใช้งานเครื่องมือไฟฟ้าในสภาพที่อาจเกิดการระเบิด เช่น ในสถานที่ที่มีของเหลว ก๊าซ หรือฝุ่นผงที่มีคุณสมบัติไวไฟ เครื่องมือไฟฟ้าอาจสร้างประกายไฟและจุดชนวนฝุ่นผงหรือก๊าซดังกล่าว
3. ดูแลไม่ให้มีเต็ทง หรือบุคคลอื่นอยู่ในบริเวณที่กำลังใช้เครื่องมือไฟฟ้า การมีสิ่งรบกวนสมาธิอาจทำให้คุณสูญเสียการควบคุม

## ความปลอดภัยด้านไฟฟ้า

4. ปลั๊กของเครื่องมือไฟฟ้าต้องพอดีกับเต้ารับ อย่าดัดแปลงปลั๊กไม่ว่ากรณีใดๆ อย่าใช้ปลั๊กอะแดปเตอร์กับเครื่องมือไฟฟ้าที่ต่อสายดิน ปลั๊กที่ไม่ถูกดัดแปลงและเต้ารับที่เข้ากันพอดีจะช่วยลดความเสี่ยงของการเกิดไฟฟ้าช็อต
5. ระวังอย่าให้ร่างกายสัมผัสกับพื้นผิวที่ต่อสายดิน เช่น ท่อ เครื่องนำความร้อน เตาหุงต้ม และตู้เย็น มีความเสี่ยงที่จะเกิดไฟฟ้าช็อตสูงขึ้น หากร่างกายของคุณสัมผัสกับพื้น
6. อย่าให้เครื่องมือไฟฟ้าถูกน้ำหรืออยู่ในสภาพเปียกชื้น น้ำที่ไหลเข้าไปในเครื่องมือไฟฟ้าจะเพิ่มความเสี่ยงของการเกิดไฟฟ้าช็อต
7. อย่าใช้สายไฟอย่างไม่เหมาะสม อย่าใช้สายไฟเพื่อยก ดึง หรือถอดปลั๊กเครื่องมือไฟฟ้า เก็บสายไฟให้ห่างจากความร้อน น้ำมัน ของมีคม หรือชิ้นส่วนที่เคลื่อนที่ สายที่ชำรุดหรือพันกันจะเพิ่มความเสี่ยงของการเกิดไฟฟ้าช็อต
8. ขณะที่ใช้งานเครื่องมือไฟฟ้านอกอาคาร ควรใช้สายต่อพ่วงที่เหมาะสมกับงานภายนอกอาคาร การใช้สายที่เหมาะสมกับงานภายนอกอาคารจะลดความเสี่ยงของการเกิดไฟฟ้าช็อต
9. หากต้องใช้งานเครื่องมือไฟฟ้าในสถานที่เปียกชื้น ให้ใช้อุปกรณ์ป้องกันกระแสไฟรั่ว (RCD) การใช้ RCD จะลดความเสี่ยงของการเกิดไฟฟ้าช็อต
10. แนะนำให้ใช้แหล่งจ่ายไฟผ่าน RCD ที่มีกระแสไฟรั่วในอัตราไม่เกิน 30mA เสมอ

## ความปลอดภัยส่วนบุคคล

11. ให้ระมัดระวังและมีสติอยู่เสมอขณะใช้งานเครื่องมือไฟฟ้า อย่าใช้งานเครื่องมือไฟฟ้าในขณะที่คุณกำลังเหนื่อย หรือในสภาพที่มึนเมาจากยาเสพติด เครื่องดื่ม แอลกอฮอล์ หรือการเข้ายา ชั่วขณะที่ขาดความระมัดระวังเมื่อกำลังใช้งานเครื่องมือไฟฟ้าอาจทำให้ได้รับบาดเจ็บร้ายแรง

12. ใช้อุปกรณ์ป้องกันส่วนบุคคล สวมแว่นตาป้องกันเสมอ อุปกรณ์ป้องกัน เช่น หน้ากากกันฝุ่น รองเท้านิรภัย กันลื่น หมวกนิรภัย หรืออุปกรณ์ป้องกันเสียงที่ใช้ในสภาพที่เหมาะสมจะช่วยลดการบาดเจ็บ
13. ป้องกันไม่ให้เกิดการเปิดใช้งานโดยไม่ตั้งใจ ตรวจสอบให้แน่ใจว่าสวิตช์ปิดอยู่ก่อนที่จะเชื่อมต่อกับแหล่งจ่ายไฟ และ/หรือชุดแบตเตอรี่ รวมทั้งตรวจสอบก่อนการยกหรือเคลื่อนย้ายเครื่องมือ การสอดนิ้วมือบริเวณสวิตช์เพื่อถือเครื่องมือไฟฟ้า หรือการชาร์จไฟเครื่องมือไฟฟ้าในขณะที่เปิดสวิตช์อยู่อาจนำไปสู่การเกิดอุบัติเหตุ
14. นำกุญแจปรับตั้งหรือประแจออกก่อนที่จะเปิดเครื่องมือไฟฟ้า ประแจหรือกุญแจที่เสียบค้างอยู่ในชิ้นส่วนที่หมุนได้ของเครื่องมือไฟฟ้าอาจทำให้ได้รับบาดเจ็บ
15. อย่าทำงานในระยะที่สูดเอื้อม จัดท่ากรยีนและการทรงตัวให้เหมาะสมตลอดเวลา เพราะจะทำให้ควบคุมเครื่องมือไฟฟ้าได้ดีขึ้นในสถานการณ์ที่ไม่คาดคิด
16. แต่งกายให้เหมาะสม อย่าสวมเครื่องแต่งกายที่หลวมเกินไป หรือสวมเครื่องประดับ ดูแลไม่ให้เส้นผม เสื้อผ้า และถุงมืออยู่ใกล้ชิ้นส่วนที่เคลื่อนที่ เสื้อผ้า รุ่มร่าม เครื่องประดับ หรือผมที่มีความยาวอาจเข้าไปติดในชิ้นส่วนที่เคลื่อนที่
17. หากมีการจัดอุปกรณ์สำหรับดูดและจัดเก็บฝุ่นไว้ในสถานที่ ให้ตรวจสอบว่าได้เชื่อมต่อและใช้งานอุปกรณ์นั้นอย่างเหมาะสม การใช้เครื่องดูดและจัดเก็บฝุ่นจะช่วยลดอันตรายที่เกิดจากฝุ่นผงได้

## การใช้และดูแลเครื่องมือไฟฟ้า

18. อย่าฝืนใช้เครื่องมือไฟฟ้า ใช้เครื่องมือไฟฟ้าที่เหมาะสมกับการใช้งานของคุณ เครื่องมือไฟฟ้าที่เหมาะสมจะทำให้ได้งานที่มีประสิทธิภาพและปลอดภัยกว่าตามขีดความสามารถของเครื่องที่ได้รับการออกแบบมา
19. อย่าใช้เครื่องมือไฟฟ้า หากสวิตช์ไม่สามารถเปิดปิดได้ เครื่องมือไฟฟ้าที่ควบคุมด้วยสวิตช์ไม่ได้เป็นสิ่งอันตรายและต้องได้รับการซ่อมแซม
20. ถอดปลั๊กจากแหล่งจ่ายไฟ และ/หรือชุดแบตเตอรี่ออกจากเครื่องมือไฟฟ้าก่อนทำการปรับตั้ง เปลี่ยนอุปกรณ์เสริม หรือจัดเก็บเครื่องมือไฟฟ้า วิธีการป้องกันด้านความปลอดภัยดังกล่าวกจะช่วยลดความเสี่ยงของการเปิดใช้งานเครื่องมือไฟฟ้าอย่างไม่ตั้งใจ
21. จัดเก็บเครื่องมือไฟฟ้าที่ไม่ได้ใช้งานให้ห่างจากมือเด็ก และอย่าอนุญาตให้บุคคลที่ไม่คุ้นเคยกับเครื่องมือไฟฟ้าหรือคำแนะนำเหล่านี้ใช้งานเครื่องมือไฟฟ้า เครื่องมือไฟฟ้าจะเป็นอันตรายเมื่ออยู่ในมือของผู้ที่ไม่ได้รับการฝึกอบรม

22. การดูแลรักษาเครื่องมือไฟฟ้า ตรวจสอบการประกอบที่ไม่ถูกต้องหรือการเชื่อมต่อของชิ้นส่วนที่เคลื่อนที่ การแตกหักของชิ้นส่วน หรือสภาพอื่น ๆ ที่อาจส่งผลกระทบต่อการทำงานของเครื่องมือไฟฟ้า หากมีความเสียหาย ให้นำเครื่องมือไฟฟ้าไปซ่อมแซมก่อนการใช้งาน อุบัติเหตุจำนวนมากเกิดจากการดูแลรักษาเครื่องมือไฟฟ้าอย่างไม่ถูกต้อง
  23. ทำความสะอาดเครื่องมือตัดและลับให้คมอยู่เสมอ เครื่องมือตัดที่มีการดูแลรักษาอย่างถูกต้องและมีขอบตัดคมมักจะไม่มีปัญหาติดขัดน้อยและควบคุมได้ง่ายกว่า
  24. ใช้เครื่องมือไฟฟ้า อุปกรณ์เสริม และวัสดุสิ้นเปลือง ฯลฯ ตามคำแนะนำดังกล่าว พิจารณาสภาพการทำงานและงานที่จะลงมือทำ การใช้เครื่องมือไฟฟ้าเพื่อทำงานอื่นนอกเหนือจากที่กำหนดไว้อาจทำให้เกิดอันตราย
- การซ่อมบำรุง**
25. นำเครื่องมือไฟฟ้าเข้ารับการซ่อมแซมจากช่างซ่อมที่ผ่านการรับรองโดยใช้อะไหล่แบบเดียวกันเท่านั้น ซึ่งจะทำให้การใช้งานเครื่องมือไฟฟ้ามีความปลอดภัย
  26. ปฏิบัติตามคำแนะนำในการหล่อลื่นและการเปลี่ยนอุปกรณ์เสริม
  27. ดูแลเก็บให้แห้ง สะอาด และไม่มีน้ำมันและจารบีเปื้อน

### คำเตือนด้านความปลอดภัยของเครื่องขัด

คำเตือนด้านความปลอดภัยสำหรับการทำงานขัด ขัดด้วยกระดาษทราย การใช้แปรงลวดขัด หรือการตัดแบบขัด

1. เครื่องมือไฟฟ้าที่มีจุดประสงค์การใช้งานเพื่อใช้เป็นเครื่องขัด เครื่องขัดกระดาษทราย เครื่องขัดด้วยแปรงลวด หรือเครื่องมือตัด โปรดอ่านคำเตือนด้านความปลอดภัย คำแนะนำ ภาพประกอบ และข้อมูลจำเพาะต่างๆ ที่ให้มากับเครื่องมือไฟฟ้านี้อย่างละเอียด หากไม่ปฏิบัติตามคำแนะนำทั้งหมดด้านล่างนี้อาจส่งผลให้เกิดไฟช็อต ไฟไหม้ และ/หรือบาดเจ็บสาหัสได้
2. ไม่แนะนำให้ใช้เครื่องมือไฟฟ้านี้ในการขัดเงา การทำงานที่เครื่องมือไฟฟ้าไม่ได้ระบุไว้นั้นอาจทำให้เกิดอันตรายและทำให้ได้รับบาดเจ็บได้
3. อย่าใช้อุปกรณ์เสริมที่ไม่ได้ออกแบบและแนะนำโดยผู้ผลิตเครื่องมือนี้ การที่อุปกรณ์เสริมต่างๆ สามารถติดตั้งเข้ากับเครื่องมือไฟฟ้าของคุณได้นั้น ไม่ได้เป็นการรับประกันว่าจะสามารถใช้งานร่วมกับอุปกรณ์ดังกล่าวได้อย่างปลอดภัย
4. อัตราความเร็วของอุปกรณ์เสริมนั้นอย่างน้อยต้องเท่ากับความเร็วสูงสุดที่ระบุไว้บนเครื่องมือไฟฟ้านี้ อุปกรณ์เสริมที่ทำงานเร็วกว่าความเร็วที่กำหนดอาจแตกและกระเด็นออก
5. เส้นผ่านศูนย์กลางภายนอกและความหนาของอุปกรณ์เสริมของคุณจะต้องอยู่ในอัตราความสามารถของเครื่องมือไฟฟ้าของคุณ อุปกรณ์เสริมที่มีขนาดไม่เหมาะสมจะไม่สามารถควบคุมหรือป้องกันได้อย่างมีประสิทธิภาพ
6. เกลียวตัดซึ่งของอุปกรณ์เสริมจะต้องตรงกับกับเกลียวแกนหมุนของเครื่องขัด สำหรับอุปกรณ์เสริมที่ใช้การติดตั้งโดยแกน รูเพลลาของอุปกรณ์เสริมต้องมีขนาดพอดีกับเส้นผ่านศูนย์กลางของแกน อุปกรณ์เสริมที่มีขนาดของส่วนติดตั้งไม่พอดีกับส่วนติดตั้งอุปกรณ์ของเครื่องมือไฟฟ้าจะทำให้ไม่สามารถทำงานได้อย่างสมบูรณ์ มีอาการสั่นมากเกินไป และอาจทำให้ไม่สามารถควบคุมได้
7. อย่าใช้อุปกรณ์เสริมที่มีความเสียหาย ก่อนใช้งานแต่ละครั้ง ให้ตรวจสอบอุปกรณ์เสริม เช่น เศษชิ้นส่วนและรอยร้าวบนวงล้อขัด รอยร้าวบนแผ่นรองหลังกระดาษทราย การชำรุดหรือการสึกหรอที่มากเกินไป และเส้นลวดที่หลวมหรือแตกบนแปรงลวด หากเครื่องมือไฟฟ้าหรืออุปกรณ์เสริมตกพื้น ให้ตรวจสอบความเสียหายหรือติดตั้งอุปกรณ์เสริมที่ไม่มี ความเสียหาย หลังจากทำการตรวจสอบและติดตั้งอุปกรณ์เสริมให้ตัวคุณเองและผู้อยู่ใกล้เคียงอยู่ห่างจากระนาบของอุปกรณ์เสริมที่กำลังหมุน และเปิดเครื่องมือไฟฟ้าที่ความเร็วหมุนเปล่าสูงสุดเป็นเวลาหนึ่งนาที โดยปกติแล้ว อุปกรณ์เสริมที่เสียหายจะแตกออกจากกันในช่วงการทดสอบนี้
8. สวมอุปกรณ์ป้องกันส่วนบุคคล ใช้หน้ากากป้องกันใบหน้า แวนครอบตานิรภัย หรือแว่นตานิรภัย โดยขึ้นอยู่กับการใช้งาน สวมหน้ากากป้องกันฝุ่น ที่ป้องกันเสียง ฤดูมือ และผ้ากันเปื้อนที่สามารถป้องกันการกระเด็นของเศษชิ้นส่วนขนาดเล็กจากการขัดหรือเศษชิ้นงานได้ตามความเหมาะสม อุปกรณ์ป้องกันดวงตาจะต้องสามารถป้องกันฝุ่นหรือสิ่งสกปรกที่กระเด็นจากการทำงานต่างๆ ได้ หน้ากากป้องกันฝุ่นหรือหน้ากากป้องกันก๊าซพิษจะต้องสามารถกรองอนุภาคที่เกิดจากการทำงานของคุณได้ การฟังเสียงที่ดังมาก เป็นเวลานานอาจทำให้สูญเสียการได้ยิน



9. รักษาระยะห่างที่ปลอดภัยจากผู้ที่อยู่ในบริเวณใกล้เคียงพื้นที่ทำงาน ผู้ที่เข้าพื้นที่ปฏิบัติงานจะต้องสวมอุปกรณ์ป้องกันส่วนบุคคล เศษชิ้นงานที่แตกหรือเศษอุปกรณ์เสริมที่เสียหายอาจกระเด็นออกและทำให้ได้รับบาดเจ็บนอกพื้นที่ปฏิบัติงานได้
10. ถือเครื่องมือไฟฟ้าบริเวณมือจับที่เป็นฉนวนหุ้มเท่านั้น ในขณะที่ทำงานที่อุปกรณ์เสริมที่ใช้ตัดอาจสัมผัสกับสายไฟที่ซ่อนอยู่หรือสายไฟของเครื่องเอง หากอุปกรณ์เสริมที่ใช้ตัดสัมผัสกับสายไฟที่ “มีกระแสไฟฟ้าไหลผ่าน” อาจทำให้ส่วนที่เป็นโลหะของเครื่องมือไฟฟ้าที่ไม่มีฉนวนหุ้ม “มีกระแสไฟฟ้าไหลผ่าน” ได้ และอาจส่งผลให้ผู้ปฏิบัติงานถูกไฟฟ้าช็อต
11. จัดให้สายไฟอยู่ในบริเวณที่ห่างจากอุปกรณ์เสริมที่กำลังหมุน หากคุณสูญเสียการควบคุม สายไฟอาจจะถูกตัดหรือถูกดึง และทำให้มือหรือแขนของคุณถูกดึงเข้าไปในอุปกรณ์เสริมที่กำลังหมุนได้
12. ห้ามวางเครื่องมือไฟฟ้าลงจนกว่าอุปกรณ์เสริมจะหยุดสนิท อุปกรณ์เสริมที่กำลังหมุนอาจกระทบกับพื้นผิวและทำให้เครื่องมือไฟฟ้าหลุดมือคุณได้
13. อย่าใช้งานเครื่องมือไฟฟ้าในขณะที่ถือเครื่องมือไว้ด้านข้างของลำตัวคุณ เนื่องจากการสัมผัสกับอุปกรณ์เสริมที่กำลังหมุนโดยไม่ได้ตั้งใจนั้นอาจพันกับเสื้อผ้าของคุณและดึงอุปกรณ์เข้าสู่ร่างกายของคุณได้
14. โปรดทำความสะอาดช่องระบายอากาศของเครื่องมือไฟฟ้าอย่างสม่ำเสมอ พัดลมของมอเตอร์จะดูดฝุ่นเข้าไปในตัวเครื่องและการมีผงโลหะในตัวเครื่องมากเกินไปอาจทำให้เกิดอันตรายจากกระแสไฟฟ้าได้
15. อย่าใช้งานเครื่องมือไฟฟ้าใกล้กับวัสดุไวไฟ เนื่องจากประกายไฟอาจทำให้วัสดุดังกล่าวติดไฟ
16. อย่าใช้อุปกรณ์เสริมที่จำเป็นต้องใช้สารหล่อเย็นที่เป็นของเหลว การใช้สารหล่อเย็นที่เป็นน้ำหรือของเหลวอาจทำให้ไฟช็อตหรือเสียชีวิตด้วยไฟฟ้าได้

## การติดกลับและคำเตือนที่เกี่ยวข้อง

การติดกลับคือการตอบสนองโดยฉับพลันเมื่อเกิดการสะดุดหรือติดขัดของล้อ แผ่นรองหลังกระดาดทราย แปร่ง หรืออุปกรณ์เสริมอื่นๆ ที่กำลังหมุน การสะดุดหรือการติดขัดจะทำให้อุปกรณ์เสริมที่กำลังหมุนหยุดลงอย่างรวดเร็ว ซึ่งเป็นสาเหตุให้เครื่องมือไฟฟ้าที่ไม่สามารถควบคุมได้เกิดแรงสะท้อนกลับไปยังทิศทางตรงข้ามกับการหมุนของอุปกรณ์เสริมในจุดที่มีการติด

ตัวอย่างเช่น หากวงล้อขัดเกิดการสะดุดหรือติดขัดกับชิ้นงาน ขอบของล้อที่เข้าไปในจุดที่สะดุดจะเจาะเข้าไปในพื้นผิวของวัสดุทำให้ล้อสะบัดหรือกระเด็นออก ล้อดังกล่าวอาจจะกระเด็นเข้าหาหรือออกห่างตัวผู้ปฏิบัติงาน ทั้งนี้ขึ้นอยู่กับทิศทางการหมุนของล้อเมื่อเกิดการสะดุด วงล้อขัดอาจแตกออกภายใต้สภาวะต่อไปนี้

การติดกลับเป็นผลมาจากการใช้เครื่องมือไฟฟ้าผิดจุดประสงค์และ/หรือขั้นตอนหรือสภาวะการใช้งานที่ไม่ถูกต้อง โดยสามารถหลีกเลี่ยงการติดกลับได้โดยการปฏิบัติตามข้อควรระวังที่เหมาะสมด้านล่าง

- a) จับตามจับเครื่องมือไฟฟ้าให้แน่นและจัดตำแหน่งร่างกายและแขนให้สามารถต้านทานแรงติดกลับได้ ใช้มือจับเสริมเสมอหากมี เพื่อให้สามารถควบคุมการติดกลับหรือการสะท้อนของแรงบิดในระหว่างการเริ่มทำงานได้อย่างมีประสิทธิภาพ ผู้ปฏิบัติงานจะสามารถควบคุมแรงสะท้อนของแรงบิดหรือแรงตีกลับได้หากดำเนินการป้องกันอย่างเหมาะสม
- b) ห้ามวางมือใกล้กับอุปกรณ์เสริมที่กำลังหมุนอยู่ อุปกรณ์ดังกล่าวอาจติดกลับใส่มือคุณได้
- c) อย่าให้ร่างกายของคุณอยู่ในบริเวณที่เครื่องมือไฟฟ้าจะเคลื่อนที่ไปหากเกิดการติดกลับขึ้น การติดกลับจะทำให้เครื่องมือสะบัดไปยังทิศทางตรงกันข้ามกับการเคลื่อนไหวของล้อในจุดที่เกิดการสะดุด
- d) ใช้ความระมัดระวังเป็นพิเศษเมื่อปฏิบัติงานตรงส่วนมุม ขอบที่มีความแหลมคม ฯลฯ หลีกเลี่ยงการกระแทกและการติดขัดของอุปกรณ์เสริม มุม ขอบที่มีความแหลมคม หรือการกระแทกนั้นอาจทำให้เกิดการสะดุดของอุปกรณ์เสริมที่กำลังหมุนและทำให้เสียการควบคุมหรือการติดกลับได้
- e) อย่าติดตั้งใบมีดเลื่อยไม้สำหรับโซ่เลื่อยหรือใบเลื่อยแบบซี่ ใบมีดดังกล่าวมักจะทำให้เกิดการติดกลับและสูญเสียการควบคุม

คำเตือนด้านความปลอดภัยเฉพาะสำหรับการขัดและการตัดแบบขัด

- a) ใช้ล้อยึดที่เครื่องมือไฟฟ้าของคุณกำหนดและที่ป้องกันที่ออกแบบมาเพื่อล้อยึดที่ใช้นั้น ล้อยึดไม่ได้ ออกแบบมาเพื่อใช้กับเครื่องมือไฟฟ้าจะไม่ได้รับการปกป้องอย่างมีประสิทธิภาพและเป็นอันตรายได้
- b) พื้นผิวขัดของใบเจียศูญย์คมจะต้องติดตั้งอยู่ด้านล่างของระนาบของขอบที่ป้องกัน ล้อยึดติดตั้งอย่างไม่ถูกต้องซึ่งยื่นออกมาจากแนวระนาบของขอบที่ป้องกัน จะไม่ได้รับการป้องกันที่เพียงพอ
- c) ที่ป้องกันจะต้องยึดไว้กับเครื่องมือไฟฟ้าอย่างแน่นหนาและวางไว้ในตำแหน่งที่มีความปลอดภัยสูงสุด เพื่อให้ส่วนล้อยึดหน้าเข้าหาผู้ปฏิบัติงานน้อยที่สุด ที่ป้องกันจะช่วยในการป้องกันผู้ปฏิบัติงานจากเศษล้อยึดที่แตก การสัมผัสกับล้อยึดโดยไม่ตั้งใจ และประกายไฟที่อาจทำให้เสื้อผ้าติดไฟได้
- d) ต้องใช้งานล้อยึดลักษณะการใช้งานที่แนะนำเท่านั้น ตัวอย่างเช่น อย่าขัดด้วยด้านข้างของล้อยึด ลูกล้อยึดแบบขัดใช้เพื่อขัดรอบวง แรงดันข้างที่กระทำต่อ ลูกล้อยึดเหล่านี้อาจทำให้ลูกล้อยึดแตกและเฉียดได้
- e) ใช้แกนล้อยึดไม่ซ้ำรูปซึ่งมีขนาดและรูปร่างตรงกับล้อยึดที่ใช้นั้น แกนล้อยึดที่ถูกต้องจะรองรับล้อยึดได้อย่างมีประสิทธิภาพ จึงสามารถลดโอกาสในการเสียหายของล้อยึด แกนสำหรับล้อยึดตัดอาจแตกต่างจากแกนล้อยึด
- f) อย่าใช้ล้อยึดที่สึกหรอจากเครื่องมือไฟฟ้าที่มีขนาดใหญ่กว่า ล้อยึดใช้สำหรับเครื่องมือไฟฟ้าที่มีขนาดใหญ่กว่าไม่เหมาะกับเครื่องมือขนาดเล็กที่มีความเร็วสูงกว่า และอาจจะระเบิดได้

คำเตือนด้านความปลอดภัยพิเศษเพิ่มเติมสำหรับการตัดแบบขัด:

- a) อย่าทำให้ล้อยึด “ติด” หรือใช้แรงดันมากเกินไป อย่าพยายามตัดลิกจนเกินไป การทำให้ล้อยึดเกิดแรงตึงที่มากเกินไปจะเป็นการเพิ่มภาระงาน และล้อยึดอาจบิดหรือบิดในรอยตัดและอาจส่งผลให้เกิดการติดกลับหรือล้อยึดแตกได้
- b) อย่าให้ร่างกายของคุณอยู่ในระดับเดียวกับหรือด้านหลังก้อยึดที่กำลังหมุน เมื่อล้อยึดอยู่ในตำแหน่งการใช้งานเคลื่อนีออกจากร่างกายของคุณ การติดกลับอาจผลักดันให้ล้อยึดที่กำลังหมุนและเครื่องมือไฟฟ้าพุ่งตรงเข้าหาคุณ
- c) เมื่อล้อยึดติดขัดหรือบวมการตัดด้วยเหตุใดๆ ก็ตาม ให้ปิดเครื่องมือไฟฟ้าและถือค้างไว้จนกว่าล้อยึดจะหยุดสนิท ห้ามพยายามถอนล้อยึดออกจากรอยตัดขณะที่ล้อยึดยังหมุนอยู่ มิฉะนั้นอาจเกิดการติดกลับได้ ตรวจสอบและแก้ไขเพื่อขจัดสาเหตุที่ทำให้ล้อยึดติดขัด

- d) อย่าเริ่มการตัดใหม่โดยที่เครื่องมือยังคาอยู่ในชิ้นงาน ให้ล้อยึดทำความเร็วสูงสุดแล้วจึงสอดเข้าไปในรอยตัดอีกครั้งอย่างระมัดระวัง ลูกล้อยึดอาจติดขัด ตั้งหรือติดกลับได้หากเริ่มใช้เครื่องมือไฟฟ้าระหว่างที่ยังคาอยู่ในชิ้นงาน
- e) รองรับแผ่นหรือชิ้นงานขนาดใหญ่ต่างๆ เพื่อลดความเสี่ยงที่ล้อยึดจะบีบแน่นและติดกลับ ชิ้นงานที่มีขนาดใหญ่มีแนวโน้มที่จะแอ่นลงเนื่องจากน้ำหนักของตัวชิ้นงาน ตรวจสอบที่รองรับไว้ได้ชิ้นงานให้กลับกับขอบของชิ้นงานทั้งสองด้านของล้อยึด
- f) ใช้ความระมัดระวังเป็นพิเศษเมื่อทำการ “ตัดแบบหลุม” ลงในผนังที่มีอยู่หรือในพื้นที่ที่เข้าถึงได้ยากอื่น ๆ ล้อยึดที่ยื่นออกมาอาจตัดท่อก๊าซหรือท่อน้ำ สายไฟฟ้า หรือสิ่งของอื่น ๆ ที่อาจทำให้เกิดการติดกลับได้

คำเตือนด้านความปลอดภัยเฉพาะสำหรับการขัดด้วยกระดาษทราย:

- a) อย่าใช้แผ่นกระดาษทรายที่มีขนาดใหญ่เกินไป ปฏิบัติตามคำแนะนำของผู้ผลิตเมื่อเลือกกระดาษทราย กระดาษทรายที่ใหญ่เกินไปจะยื่นออกมาเกินแผ่นกระดาษทรายและจะทำให้เกิดอันตรายจากการฝีกขาด และอาจเป็นสาเหตุของการสะดุด งานซ้ำรูปหรือการติดกลับได้

คำเตือนด้านความปลอดภัยสำหรับการขัดด้วยแปรงลวดขัด

- a) โปรดระวังเส้นลวดหลุดออกมาจากแปรงระหว่างการทำงานปกติ อย่ากดเส้นลวดมากเกินไปด้วยการใช้แรงกดที่แปรงมากเกินไปจนควร เส้นลวดสามารถทะลุเสื้อผ้าบางๆ และ/หรือผิวหนังได้อย่างง่ายดาย
- b) หากจำเป็นต้องใช้ที่ป้องกันสำหรับการขัดด้วยแปรงลวด อย่าให้ล้อยึดหรือแปรงลวดแทรกเข้าไปในที่ที่ป้องกัน ล้อยึดหรือแปรงลวดอาจมีเส้นผ่านศูนย์กลางที่ขยายใหญ่ขึ้นเนื่องจากภาระการทำงาน และแรงหนีศูนย์กลาง

คำเตือนด้านความปลอดภัยเพิ่มเติม:

17. เมื่อใช้ใบเจียศูญย์คม ตรวจสอบให้แน่ใจว่าคุณใช้ล้อยึดที่เสริมแรงด้วยใยแก้วเท่านั้น
18. ห้ามใช้ล้อยึดประเภทถ้วยกับเครื่องขัดชนิดนี้เด็ดขาด เครื่องขัดชนิดนี้ไม่ได้ถูกออกแบบมาสำหรับล้อยึดประเภทเหล่านี้ และการใช้ผลิตภัณฑ์ดังกล่าวอาจทำให้เกิดการบาดเจ็บร้ายแรงได้
19. ระวังอย่าทำให้แกนหมุน, แกน (โดยเฉพาะอย่างยิ่งผิวหน้าสำหรับการติดตั้ง) หรือน็อตลื่นลื่นเสียหาย การที่ชิ้นส่วนต่างๆ เหล่านี้เสียหายอาจเป็นสาเหตุให้ล้อยึดเสียหายได้
20. ตรวจสอบให้แน่ใจว่าล้อยึดนั้นไม่ได้สัมผัสกับชิ้นงานก่อนที่จะเปิดสวิตช์

21. ก่อนที่จะใช้เครื่องมือบนชิ้นงานจริง ปล่อยให้เครื่องมือทำงานเปล่าๆ สักครู่ สังเกตการสั่นสะเทือนหรือการส่ายที่อาจแสดงถึงการติดตั้งที่ไม่ดีหรือสมดุลไม่ดี
22. ใช้พื้นผิววงล้อที่ระบุในการขัด
23. อย่าปล่อยให้เครื่องมือทำงานค้างไว้ ใช้งานเครื่องมือในขณะที่ถืออยู่เท่านั้น
24. อย่าสัมผัสกับชิ้นงานทันทีที่ทำงานเสร็จ เนื่องจากชิ้นงานอาจมีความร้อนสูงและทำให้ผิวหนังของคุณไหม้ได้
25. ปฏิบัติตามคำแนะนำของผู้ผลิตในการติดตั้งและการใช้ล้อ ใช้งานและจัดเก็บล้อด้วยความระมัดระวัง
26. อย่าใช้แปรงหรือตัวแปลงแบบแยกเพื่อแปรงล้อขัดขนาดใหญ่
27. ใช้เฉพาะแกนสำหรับเครื่องมือนี้เท่านั้น
28. สำหรับเครื่องมือที่ต้องใช้ล้อรูเกลียว ตรวจสอบให้แน่ใจว่าเกลียวในล้อนี้อาจยาวเพียงพอที่รองรับกับความยาวของแกนหมุน
29. ตรวจสอบว่าชิ้นงานมีสิ่งรองรับอย่างมั่นคง
30. ฟังระลอกไว้เสมอว่าล้อจะยังคงหมุนต่อไปแม้ว่าจะปิดเครื่องมือแล้วก็ตาม
31. หากสถานที่ปฏิบัติงานร้อนและชื้นมาก หรือเต็มไปด้วยฝุ่นนำไฟฟ้า ให้ใช้เบรกเกอร์ป้องกันกระแสลัดวงจร (30 mA) เพื่อความปลอดภัยของผู้ปฏิบัติงาน
32. อย่าใช้เครื่องมือกับวัสดุที่มีรอยเหิน
33. เมื่อใช้ล้อตัด ให้ใช้ที่ป้องกันล้อเก็บฝุ่นตามที่กำหนดโดยข้อบังคับในประเทศ
34. งานตัดต้องไม่ได้รับแรงดันใดๆ ทั้งสิ้นจากด้านข้าง
35. อย่าใช้เครื่องมือทำงานแบบผ່าระหว่างการทำงาน เส้นใยจากถุงมือผ้าอาจเข้าไปในเครื่องมือ ซึ่งจะทำให้เครื่องมือเสียหายได้

### ปฏิบัติตามคำแนะนำเหล่านี้

**คำเตือน:** อย่าให้ความไม่ระมัดระวังหรือความคุ้นเคยกับผลิตภัณฑ์ (จากการใช้งานซ้ำหลายครั้ง) อยู่เหนือการปฏิบัติตามกฎเกณฑ์ด้านความปลอดภัยในการใช้งานผลิตภัณฑ์อย่างเคร่งครัด การใช้งานอย่างไม่เหมาะสมหรือการไม่ปฏิบัติตามกฎเกณฑ์ด้านความปลอดภัยในคู่มือการใช้งานนี้อาจทำให้ได้รับบาดเจ็บร้ายแรง

## คำอธิบายการทำงาน

### ⚠ ข้อควรระวัง:

- ตรวจสอบให้แน่ใจว่าได้ปิดสวิตช์เครื่องมือและถอดปลั๊กออกก่อนปรับตั้งหรือตรวจสอบการทำงานของเครื่องมือเสมอ

### ลือค้ก้าน

- หมายเลข 1: 1. ลือค้ก้าน

### ⚠ ข้อควรระวัง:

- ห้ามดันที่ลือค้ก้านขณะที่แกนหมุนกำลังเคลื่อนที่ เครื่องมืออาจเสียหายได้

กดที่ลือค้ก้านเพื่อป้องกันการหมุนของแกนหมุนเมื่อติดตั้งหรือถอดอุปกรณ์เสริม

## การทำงานของสวิตช์

### ⚠ ข้อควรระวัง:

- ก่อนเสียบปลั๊กเครื่องมือ ให้ตรวจสอบทุกครั้งว่าสวิตช์สั่งงานสามารถทำงานได้อย่างถูกต้อง และกลับไปยังตำแหน่ง "ปิด" เมื่อปล่อย

## สำหรับเครื่องมือที่มีสวิตช์สั่งงานประเภท A

- หมายเลข 2: 1. ปุ่มลือค / ปุ่มปลดลือค 2. สวิตช์สั่งงาน

## สำหรับเครื่องมือที่ไม่มีปุ่มลือคและปุ่มปลดลือค

เมื่อต้องการเปิดใช้เครื่องมือ ให้ดึงสวิตช์สั่งงาน ปล่อยให้สวิตช์สั่งงานเพื่อหยุดการทำงาน

## สำหรับเครื่องมือที่มีปุ่มลือค

เมื่อต้องการเปิดใช้เครื่องมือ ให้ดึงสวิตช์สั่งงาน ปล่อยให้สวิตช์สั่งงานเพื่อหยุดการทำงาน

สำหรับการทำงานต่อเนื่อง ให้กดสวิตช์สั่งงาน แล้วดันปุ่มลือคเข้า

การหยุดใช้งานเครื่องมือจากตำแหน่งลือค ให้กดสวิตช์สั่งงานจนสุดแล้วปล่อย

## สำหรับเครื่องมือที่มีปุ่มปลดลือค

เพื่อป้องกันการสวิตช์สั่งงานถูกกดโดยไม่ตั้งใจ จึงมีปุ่มปลดลือคมาให้

การสตาร์ทเครื่องมือ ให้กดปุ่มปลดลือคและกดสวิตช์สั่งงาน ปล่อยให้สวิตช์สั่งงานเพื่อหยุดการทำงาน

## สำหรับเครื่องมือที่มีสวิตช์สั่งงานประเภท B

► หมายเลข 3: 1. ก้านลีด 2. สวิตช์สั่งงาน

### สำหรับเครื่องมือที่มีลีดสวิตช์

เปิดใช้เครื่องมือโดยดึงสวิตช์สั่งงาน (A) ปล่อยสวิตช์สั่งงานเพื่อหยุดการทำงาน ถ้าต้องการใช้งานอย่างต่อเนื่อง ดึงสวิตช์สั่งงาน (A) และกดก้านลีด (B) ถ้าต้องการเลิกใช้งานเครื่องมือในตำแหน่งลีด ให้ดึงสวิตช์สั่งงาน (A) จนสุด จากนั้นปล่อยสวิตช์

### สำหรับเครื่องมือที่มีลีดการทำงานสวิตช์

เพื่อป้องกันไม่ให้สวิตช์สั่งงานถูกดึงโดยไม่ตั้งใจ มีก้านลีดติดตั้งไว้ เพื่อเริ่มใช้งานเครื่องมือ ให้กดก้านลีด (B) แล้วดึงสวิตช์สั่งงาน (A) ปล่อยสวิตช์สั่งงานเพื่อหยุดการทำงาน

### สำหรับเครื่องมือที่มีลีดสวิตช์และลีดการทำงานสวิตช์

เพื่อป้องกันไม่ให้สวิตช์สั่งงานถูกดึงโดยไม่ตั้งใจ มีก้านลีดติดตั้งไว้ เพื่อเริ่มใช้งานเครื่องมือ ให้กดก้านลีด (B) แล้วดึงสวิตช์สั่งงาน (A) ปล่อยสวิตช์สั่งงานเพื่อหยุดการทำงาน สำหรับการใช้งานอย่างต่อเนื่อง ให้กดก้านลีด (B) ดึงสวิตช์สั่งงานแล้วกดก้านลีด (B) เพิ่มเติม ถ้าต้องการเลิกใช้งานเครื่องมือในตำแหน่งลีด ให้ดึงสวิตช์สั่งงาน (A) จนสุด จากนั้นปล่อยสวิตช์

## การประกอบ

### ⚠ ข้อควรระวัง:

- ตรวจสอบให้แน่ใจว่าได้ปิดสวิตช์เครื่องมือและถอดปลั๊กออกก่อนดำเนินการใดๆ กับเครื่องมือ

### การติดตั้งตามจับด้านข้าง (มือจับ)

### ⚠ ข้อควรระวัง:

- ตรวจสอบให้แน่ใจทุกครั้งว่าตามจับด้านข้างติดตั้งอยู่อย่างมั่นคงก่อนที่จะทำงาน

► หมายเลข 4

ขันตามจับด้านข้างให้แน่นในตำแหน่งของเครื่องมือตามที่แสดงในภาพ

## การติดตั้งมือจับห้วง (อุปกรณ์เสริม)

### ⚠ ข้อควรระวัง:

- ตรวจสอบให้แน่ใจว่าได้ติดตั้งมือจับห้วงเรียบร้อยแล้ว ก่อนเริ่มใช้งานเสมอ

► หมายเลข 5: 1. ส่วนที่ยื่นออกมาของมือจับห้วง 2. รูที่ตรงกันบนกระปุกเฟือง

ติดตั้งมือจับห้วงบนเครื่องมือก่อนจะเริ่มใช้งานเสมอ จับมือจับสวิตช์บนเครื่องมือและมือจับห้วงให้แน่นด้วยมือทั้งสองข้างระหว่างทำงาน

ติดตั้งมือจับห้วงเพื่อให้ส่วนที่ยื่นออกมาพอดีกับรูที่ตรงกันบนกระปุกเฟือง

ติดตั้งสลักเกลียวและขันด้วยประแจหกเหลี่ยม มือจับห้วงสามารถติดตั้งในทิศทางแตกต่างกันสองทิศทางตามที่แสดงในภาพ แล้วแต่แบบโคจรสะดวกต่อการทำงานของคู่มือ

► หมายเลข 6: 1. มือจับห้วง 2. ประแจหกเหลี่ยม 3. สลักเกลียว

► หมายเลข 7: 1. มือจับห้วง 2. ประแจหกเหลี่ยม 3. สลักเกลียว

## การติดตั้งหรือถอดที่ป้องกันล้อ (สำหรับใบเจียศูนย์จุม, จานอเนกประสงค์ / ล้อตัดแบบขีด, ลูกล้อเพชร)

### สำหรับเครื่องมือที่มีที่ป้องกันล้อประเภทสกรูล็อค

### ⚠ ข้อควรระวัง:

- เมื่อใช้ใบเจียศูนย์จุมสำหรับขีด / จานอเนกประสงค์ แปรงลวดกลม หรือล้อตัด ต้องติดตั้งที่ป้องกันล้อบนเครื่องมือโดยให้ด้านที่ปิดของที่ป้องกันหันเข้าหาผู้ปฏิบัติงานเสมอ

► หมายเลข 8: 1. ที่ป้องกันล้อ 2. สกรู 3. กล้องตัลปลูกปืน

ติดตั้งที่ป้องกันล้อโดยให้ส่วนที่ยื่นออกมาบนแถบของที่ป้องกันล้อตรงกับร่องบนกล้องตัลปลูกปืน จากนั้นหมุนที่ป้องกันล้อ 180 องศา แบบทวนเข็มนาฬิกา ตรวจสอบให้แน่ใจว่าได้ขันสกรูแน่นดีแล้ว

เมื่อต้องการถอดที่ป้องกันล้อ ให้ปฏิบัติตามขั้นตอนการติดตั้งแบบย้อนกลับ

## การติดตั้งและการถอดไบเจียศูนย์จัมสำหรับขั้ว / จานอเนกประสงค์ (อุปกรณ์เสริม)

### คำเตือน:

- ใช้ที่ป้องกันที่มีมาให้เสมอเมื่อมีไบเจียศูนย์จัมสำหรับขั้ว / จานอเนกประสงค์อยู่บนเครื่องมือ ล้ออาจแตกเป็นชิ้นๆ ได้ในระหว่างการใช้งาน และที่ป้องกันจะช่วยลดโอกาสในการเกิดการบาดเจ็บ

- **หมายเลข 9:** 1. น็อตล็อก 2. ไบเจียศูนย์จัมสำหรับขั้ว / จานอเนกประสงค์ 3. แขนตัวใน

ติดตั้งแกนตัวในเข้ากับแกนหมุน ติดตั้งล้อ / จานเข้ากับแกนตัวในแล้วขันน็อตล็อกเข้ากับเพลลาหมุน

การขันน็อตล็อก ให้กดล็อกก้านจนแน่นเพื่อให้แกนหมุนไม่สามารถหมุนได้ จากนั้นใช้ประแจขันน็อตล็อกและขันให้แน่นตามเข็มนาฬิกา

- **หมายเลข 10:** 1. ประแจขันน็อตล็อก 2. ล็อกก้าน
- เมื่อต้องการถอดล้อ ให้ปฏิบัติตามขั้นตอนการติดตั้งแบบย้อนกลับ

## การขีดและการขีดด้วยกระดาษทราย

- **หมายเลข 11**

ใช้มือข้างหนึ่งถือเครื่องมือให้แน่นที่มือจับด้านหลังและมืออีกข้างจับที่มือจับด้านข้างเสมอ เปิดเครื่อง จากนั้นวางล้อหรือจานที่ใช้งาน

โดยทั่วไปแล้ว ให้รักษาขอบของล้อหรือจานให้ทำมุม 15 องศากับผิวหน้าชิ้นงาน

ในระหว่างช่วงแรกที่ใช้ล้อใหม่ อย่าใช้เครื่องขีดในทิศทาง B ไม่เช่นนั้นล้อจะตัดเข้าไปในชิ้นงาน เมื่อขอบของล้อมนเนื่องจากการใช้งานแล้ว จะสามารถใช้งานล้อได้ทั้งในทิศทาง A และ B

## การใช้งาน

### คำเตือน:

- ไม่จำเป็นต้องออกแรงกดเครื่องมือ น้ำหนักของเครื่องมือจะก่อให้เกิดแรงกดที่เหมาะสม การฝืนและแรงกดที่มากเกินไปอาจทำให้ล้อเสียหายและเป็นอันตรายได้
- เปลี่ยนล้อเสมอถ้าทำเครื่องมือระหว่างขีด
- ห้ามทุบหรือกระแทกงานขีดหรือล้อขัดบนชิ้นงาน
- หลีกเลี่ยงการกระดอนและการทำให้ล้อติดขัด โดยเฉพาะขณะทำงานตรงส่วนมุม ขอบมีคม ฯลฯ ซึ่งอาจทำให้สูญเสียการควบคุมและเกิดการติดกลับได้
- ห้ามใช้เครื่องมือกับใบมีดตัดไม้หรือใบเลื่อยอื่นๆ เมื่อใช้ใบมีดชนิดดังกล่าวกับเครื่องขีดมักจะทำให้เกิดการติดกลับบ่อยครั้ง และเป็นสาเหตุให้สูญเสียการควบคุมและการบาดเจ็บของบุคคลได้

### ข้อควรระวัง:

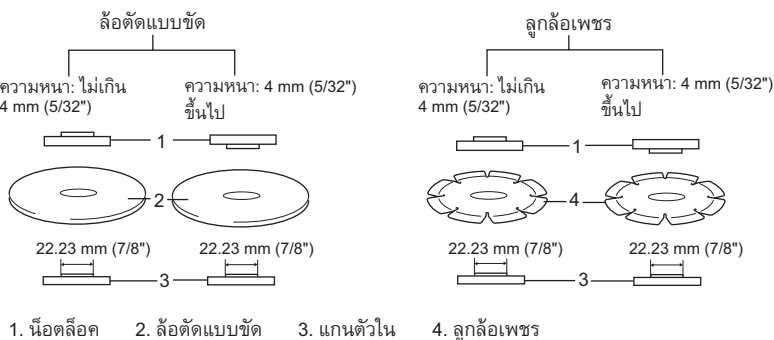
- หลังจากปฏิบัติงาน ให้ปิดเครื่องมือเสมอและรอจนกว่าล้อจะหยุดสนิท แล้วจึงวางเครื่องมือลง

## การใช้งานล้อยัดแบบขั้ว / ลูกล้อเพชร (อุปกรณ์เสริม)

- **หมายเลข 12:** 1. นี้อตล็ค 2. ล้อยัดแบบขั้ว/ลูกล้อ  
เพชร 3. แกนตัวโน 4. ที่ป้องกันล้อย  
สำหรับล้อยัดแบบขั้ว/ลูกล้อเพชร

ทิศทางสำหรับการติดตั้งนี้อตล็คและแกนตัวโนจะแตกต่างกันไปตามความหนาของล้อย  
โปรดดูรายละเอียดในตารางด้านล่าง

115 mm (4-1/2") / 125 mm (5") / 150 mm (6")



### คำเตือน:

- เมื่อใช้ล้อยัดแบบขั้ว / ลูกล้อเพชร ให้ตรวจสอบให้แน่ใจว่าได้ใช้ที่ป้องกันล้อยเพชรที่ออกแบบมาสำหรับล้อยัดเท่านั้น
- ห้ามใช้ล้อยัดแบบขั้วในการขัดด้านข้าง
- อย่าทำให้ล้อ "ติด" หรือออกแรงกดมากเกินไป อย่าพยายามตัดลิจจนเกินไป การออกแรงกดล้อยที่มากเกินไปจะเป็นการเพิ่มการทำงานและทำให้ล้อยเกิดการบิดหรือการติดขัดระหว่างการตัดได้ง่าย และอาจเกิดการติดกลับ ล้อยแตก และมอเตอร์ร้อนเกินไป
- อย่าเริ่มการตัดโดยที่เครื่องมือยังคาอยู่ในชิ้นงาน ปล่อยให้ล้อยหมุนที่ความเร็วสูงสุดและสอดเข้าไปในรอยตัดอย่างระมัดระวัง โดยเคลื่อนเครื่องมือไปข้างหน้าบนพื้นผิวชิ้นงาน ล้อยอาจติดขัด เด้ง หรือติดกลับได้หากเริ่มใช้เครื่องมือไฟฟ้ระหว่างที่ยังคาอยู่ในชิ้นงาน
- ระหว่างการตัด ห้ามเปลี่ยนมุมของล้อย การวางที่ทำให้เกิดแรงอัดที่ด้านข้างของล้อยัด (ในขณะที่ทำการขัด) จะทำให้ล้อยร้าและแตก ซึ่งส่งผลให้ได้รับบาดเจ็บสาหัสได้
- ลูกล้อเพชรจะต้องทำงานแบบตั้งฉากกับวัสดุที่จะตัด

### การบำรุงรักษา

#### ข้อควรระวัง:

- ตรวจสอบให้แน่ใจเสมอว่าปิดสวิตช์เครื่องมือและถอดปลั๊กออกแล้วก่อนดำเนินการตรวจสอบหรือบำรุงรักษา
- ห้ามใช้แก๊สโซลีน เบนซิน ทินเนอร์ แอลกอฮอล์ หรือสิ่งอื่นที่คล้ายกันนี้ เนื่องจากอาจทำให้สีติดจางเสียหาย หรือแตกร้าวได้

เครื่องมือและช่องระบายอากาศของเครื่องมือต้องสะอาดอยู่เสมอ ทำความสะอาดช่องระบายอากาศของเครื่องมือให้เป็นประจำหรือเมื่อใดก็ตามที่ช่องระบายอากาศเริ่มถูกปิดกั้น

- **หมายเลข 13:** 1. การระบายไอเสีย 2. การดูดลม

## การเปลี่ยนแปลงคาร์บอน

### ▶ หมายเลข 14: 1. ชีตจำกัด

ถอดแปรงคาร์บอนออกมาตรวจสอบเป็นประจำ เปลี่ยนแปรงคาร์บอนเมื่อสึกหรือถึงเครื่องหมายชีตจำกัด ดูแลแปรงคาร์บอนให้สะอาดและไม่สิ้นหลุดออกจากที่ยึด คาร์บอนแปรงคาร์บอนทั้งสองอันพร้อมกัน ใช้แปรงคาร์บอนแบบเดียวกันเท่านั้น

ใช้ไขควงเพื่อถอดฝาปิดที่ยึดแปรงออก นำแปรงคาร์บอนที่สึกหรือออกมา ใส่แปรงคาร์บอนใหม่เข้าไป และปิดฝาปิดที่ยึดแปรงให้แน่น

### ▶ หมายเลข 15: 1. ฝาปิดที่ยึดแปรง 2. ไขควง

เพื่อความปลอดภัยและความน่าเชื่อถือของผลิตภัณฑ์ ควรให้ศูนย์บริการที่ได้รับการรับรองจาก Makita เป็นผู้ดำเนินการซ่อมแซม บำรุงรักษา และทำการปรับตั้งอื่นๆ นอกจากนี้ให้ใช้อะไหล่ของแท้จาก Makita เสมอ

## อุปกรณ์เสริม

### ⚠ ข้อควรระวัง:

- ขอแนะนำให้ใช้อุปกรณ์เสริมหรืออุปกรณ์ต่อพ่วงเหล่านี้กับเครื่องมือของ Makita ที่ระบุไว้ในคู่มือนี้ การใช้อุปกรณ์เสริมหรืออุปกรณ์ต่อพ่วงอื่นๆ อาจมีความเสี่ยงที่จะได้รับบาดเจ็บ ใช้อุปกรณ์เสริมหรืออุปกรณ์ต่อพ่วงตามวัตถุประสงค์ที่ระบุไว้เท่านั้น
- เครื่องมือของคุณมาพร้อมกับที่ป้องกันสำหรับใช้ร่วมกับไบเจียชิตศูนย์จัมสำหรับชัต จานอเนกประสงค์ และแปรงลวดกลม ล้อตัดสามารถใช้งานร่วมกับที่ป้องกันซึ่งเป็นอุปกรณ์เสริมได้ด้วยเช่นกัน หากคุณตัดสินใจใช้เครื่องชัต Makita ร่วมกับอุปกรณ์เสริมที่ได้รับการรับรองซึ่งซื้อมาจากตัวแทนจำหน่ายหรือศูนย์บริการ Makita ตรวจสอบให้แน่ใจว่าสินค้ามาพร้อมกับสายรัดและที่ป้องกันที่จำเป็นครบทุกชิ้น และโปรดใช้งานตามคำแนะนำในคู่มือฉบับนี้ มิฉะนั้น อาจนำไปสู่การบาดเจ็บต่อตัวคุณและผู้อื่นได้

หากต้องการทราบรายละเอียดเพิ่มเติมเกี่ยวกับอุปกรณ์เสริมเหล่านี้ โปรดสอบถามศูนย์บริการ Makita ใกล้บ้านคุณ

- ที่ป้องกันล้อ (ฝาครอบล้อ) สำหรับไบเจียชิตศูนย์จัม / จานอเนกประสงค์
- ที่ป้องกันล้อ (ฝาครอบล้อ) สำหรับล้อตัดแบบชัต / ลูกล้อเพชร
- ไบเจียชิตศูนย์จัม

- ล้อตัดแบบชัต
- จานอเนกประสงค์
- ลูกล้อเพชร
- แปรงลวดถ้วย
- แปรงลวดกลม 85
- จานชัต
- แกนตัวโน
- น็อตล็อกสำหรับไบเจียชิตศูนย์จัม / ล้อตัดแบบชัต / จานอเนกประสงค์ / ลูกล้อเพชร
- น็อตล็อกสำหรับจานชัต
- ประแจขันน็อตล็อก
- ด้ามจับด้านข้าง
- แผ่นยาง
- อุปกรณ์ต่อพ่วงฝาครอบกันฝุ่น

### หมายเหตุ:

- อุปกรณ์บางรายการอาจจะรวมอยู่ในชุดเครื่องมือ เป็นอุปกรณ์มาตรฐาน ซึ่งอาจแตกต่างกันไปในแต่ละประเทศ

**Makita Corporation**  
3-11-8, Sumiyoshi-cho,  
Anjo, Aichi 446-8502 Japan  
[www.makita.com](http://www.makita.com)

884709D377  
EN, ZHCN, ID, MS,  
VI, TH  
20191129