

## FEATURES

- RoHS Compliant
- REACH Compliant
- Silicon free

# RS PRO NUT

RS Stock No.: 2305189



RS PROfessionally Approved Products bring to you professional quality parts across all product categories. Our product range has been tested by engineers and provides a comparable quality to the leading brands without paying a premium price.

## Product Description

The RS PRO nut is made up of brass material. It is water, oil and compressed air compatible. Operating temperature range is from - 60 °C + 300 °C. The working pressures and working temperatures depend on which type of tube is used, for this reason, the values must be determined in accordance with the tube's features.

## General Specifications

<b>Fitting Type</b>	Nut
<b>Material</b>	Brass
<b>Fitting Direction</b>	Straight
<b>Application</b>	LPG, Fluid Control, Flee & Automotive, Hydraulic

## Mechanical Specifications

<b>Compression Connection Pipe Diameter</b>	10mm
<b>Tube Connection</b>	15mm
<b>Threaded Connection</b>	M16 X 1.5 Male
<b>Thread Size</b>	1.5mm
<b>Thread Standard</b>	Metric
<b>Gender</b>	Male
<b>Wrench Size</b>	19mm

## Operation Environment Specifications

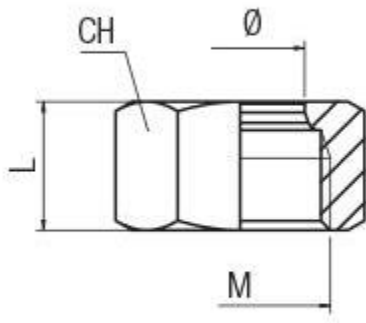
<b>Service Temperature Up To</b>	+300°C
----------------------------------	--------

## Approvals

<b>Standards Met</b>	RoHS and REACH Compliant
----------------------	--------------------------

## Similar Products

Parameters	2305186	2305187
<b>Brand</b>	<b>RS PRO</b>	<b>RS PRO</b>
<b>Fitting Type</b>	Nut	Nut
<b>Material</b>	Brass	Brass
<b>Fitting Direction</b>	Straight	Straight
<b>Compression Connection Pipe Diameter</b>	4mm	6mm
<b>Tube Connection</b>	10.5mm	10.5mm
<b>Threaded Connection</b>	M8 X 1 Male	M10 X 1 Male
<b>Thread Size</b>	1mm	1mm
<b>Thread Standard</b>	Metric	Metric
<b>Gender</b>	Male	Male
<b>Wrench Size</b>	10mm	13mm
<b>Service Temperature Up To</b>	+300°C	+300°C
<b>Standards Met</b>	RoHS and REACH Compliant	RoHS and REACH Compliant
<b>Application</b>	LPG, Fluid Control, Flee & Automotive, Hydraulic	LPG, Fluid Control, Flee & Automotive, Hydraulic



Tube	L	CH	M	Pack.
10	15	19	M 16x1.5	50