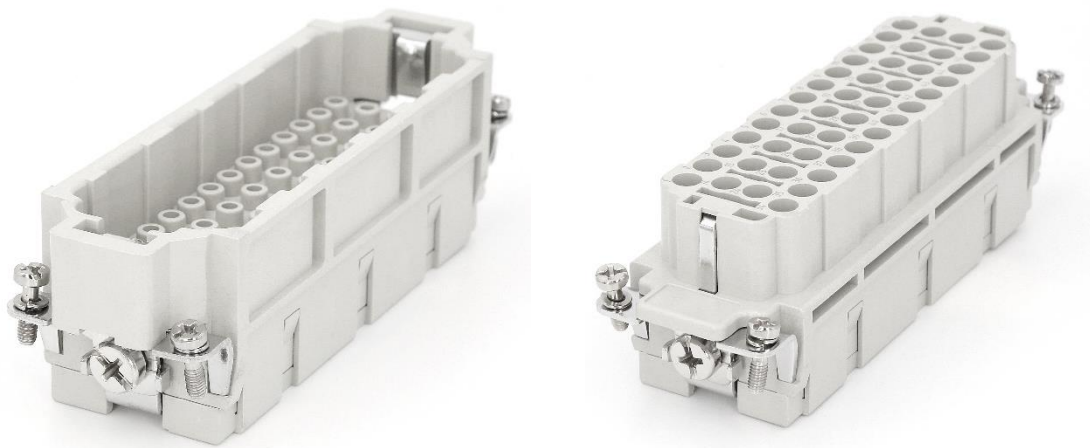


## Datasheet

# RS PRO RS-HEE High Density Inserts



The RS PRO Heavy-Duty Connector series is a full range of heavy-duty inserts, housings, crimps and accessories. The inserts are all made from Polycarbonate to industry standard sizes and are available in a choice of screw, crimp or spring clam terminations in a large variety of current ratings. Modular inserts are also offered allowing for maximum versatility when designing a system. These connectors have been created for applications that are subjected to harsh environments or where high vibration can cause standard connectors to fail. This makes them ideal for food & beverage manufacturing, packaging machines, conveyor belt systems, railway, oil & gas processing and other industrial automation. The entire range of connectors are RoHS compliant and as with all RS PRO products, offer exceptional value for money.

## Features & Benefits:

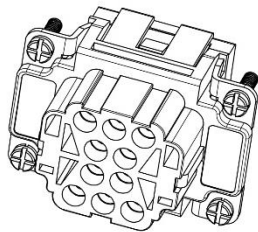
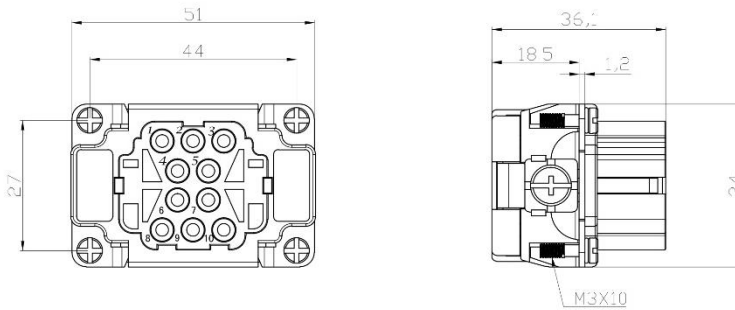
- High Density Inserts
- 10 to 96 Poles
- Crimp Termination
- 16A, 500V
- For use with 16A crimps
- Polycarbonate Body

## Quality Standards

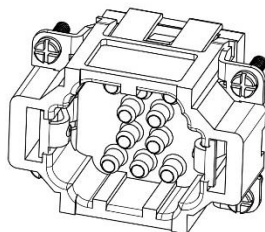
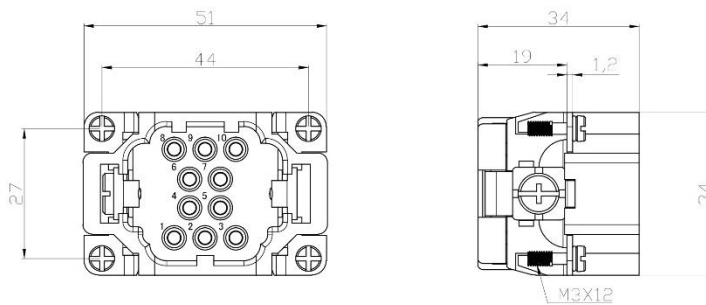


## Dimensional line drawings

### 10 Pole Female Crimp for RS PRO H6B series Housing 208-4525

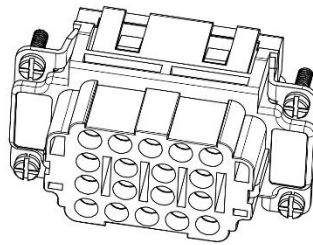
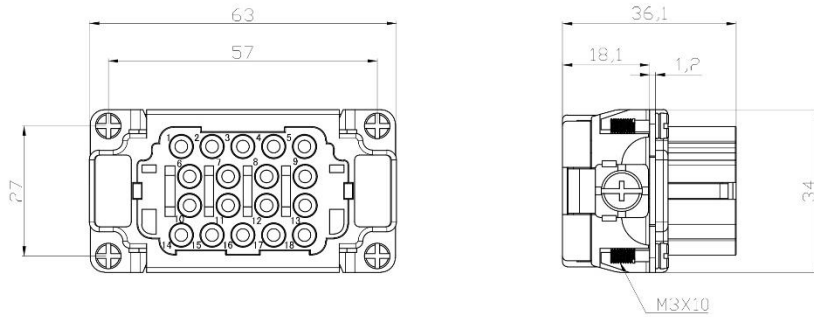


### 10 Pole Male Crimp for RS PRO H6B series Housing 208-4526

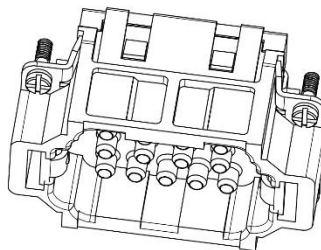
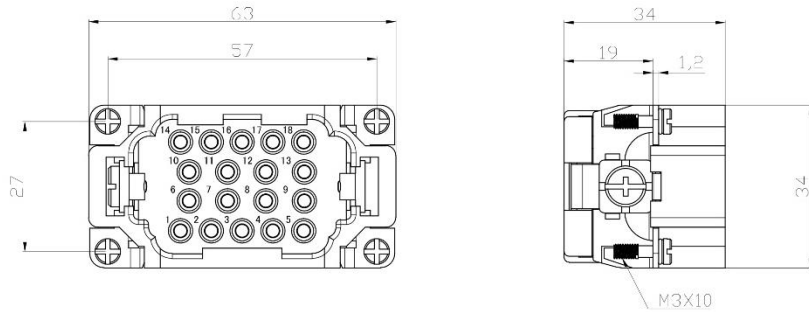


## Dimensional line drawings

### 18 Pole Female Crimp for RS PRO H10B series Housing 208-4528

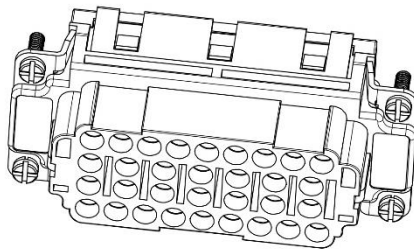
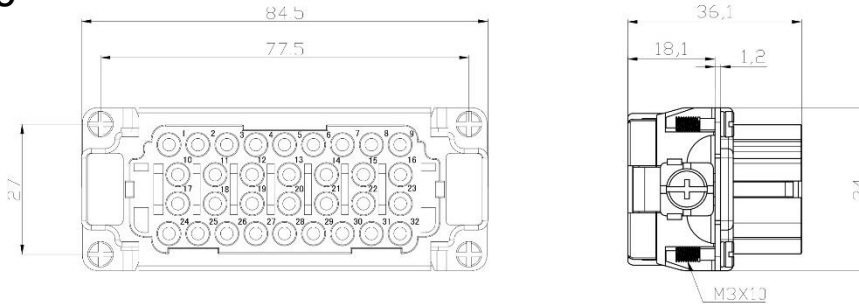


### 18 Pole Male Crimp for RS PRO H10B series Housing 208-4529

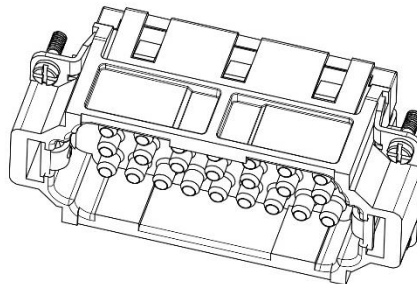
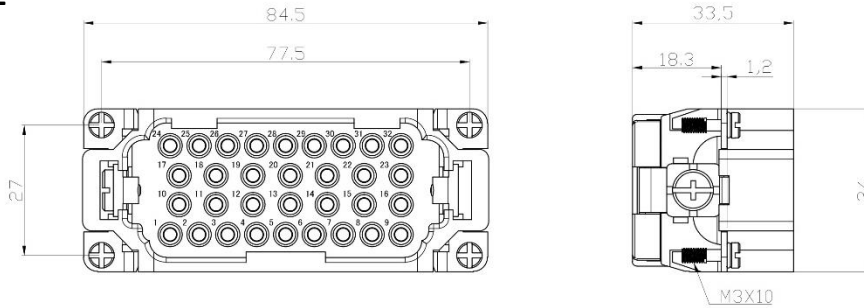


## Dimensional line drawings

### 32 Pole Female Crimp for RS PRO H16B series Housing 208-4530

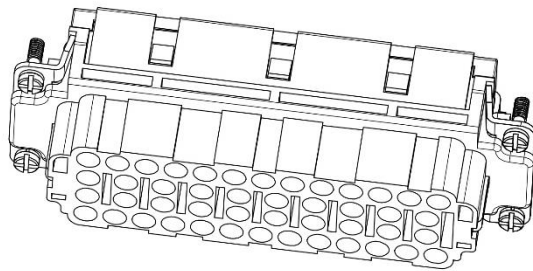
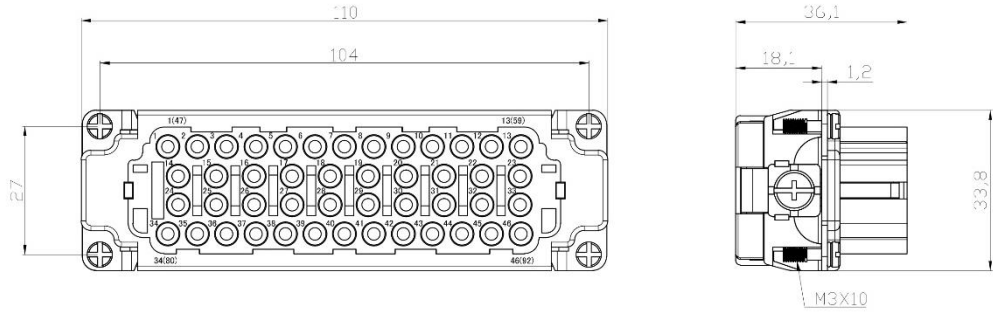


### 32 Pole Male Crimp for RS PRO H16B series Housing 208-4531

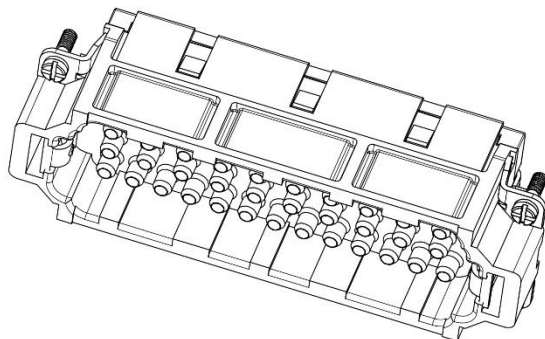
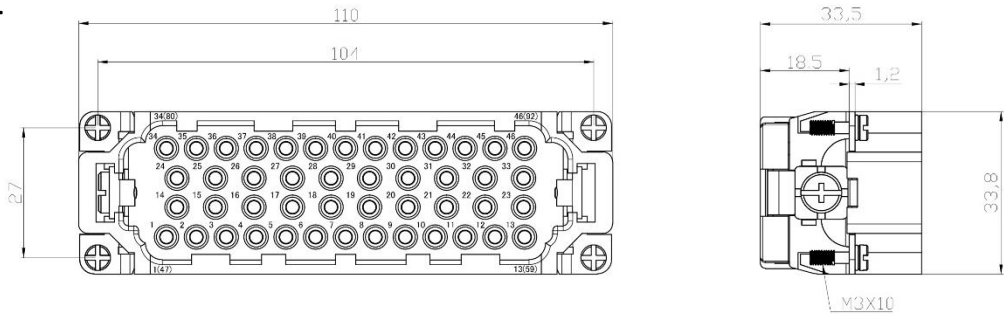


# Dimensional line drawings

## 46 Pole Female Crimp for RS PRO H24B series Housing 208-4532

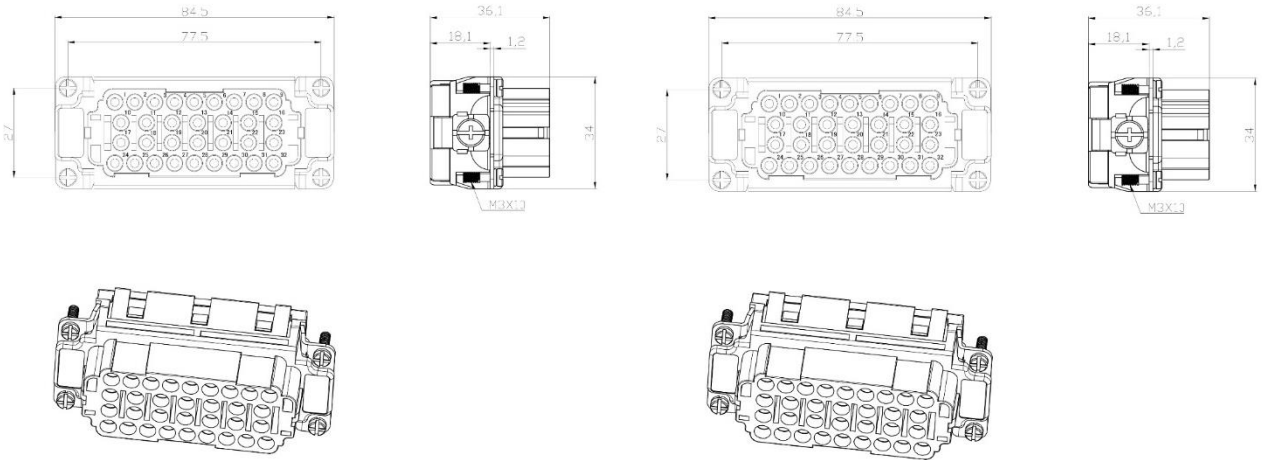


## 46 Pole Male Crimp for RS PRO H24B series Housing 208-4534

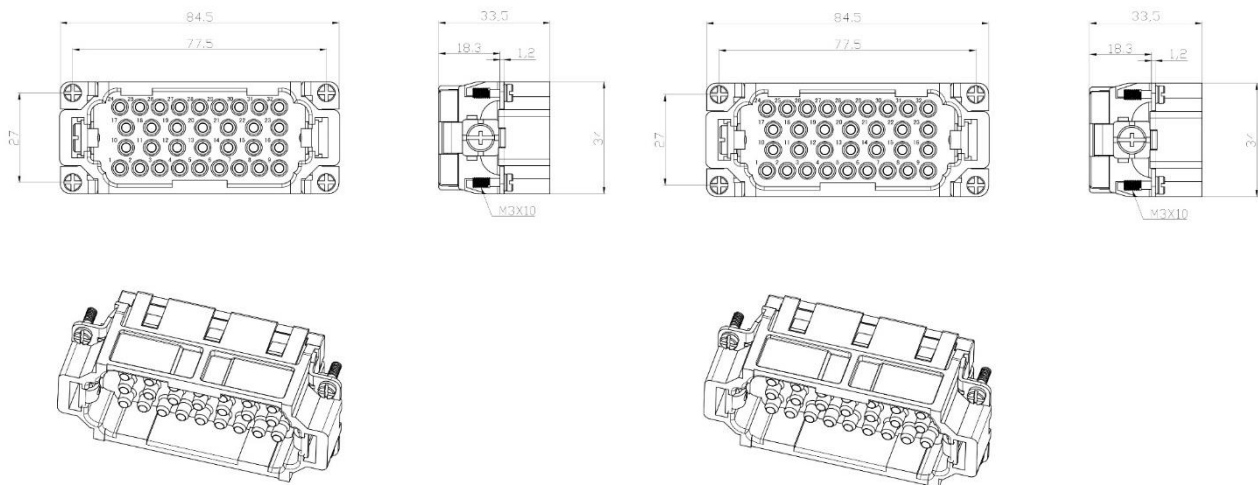


## Dimensional line drawings

### 64 Pole Female Crimp for RS PRO H32B series Housing 208-4535 (2x 32 pole)

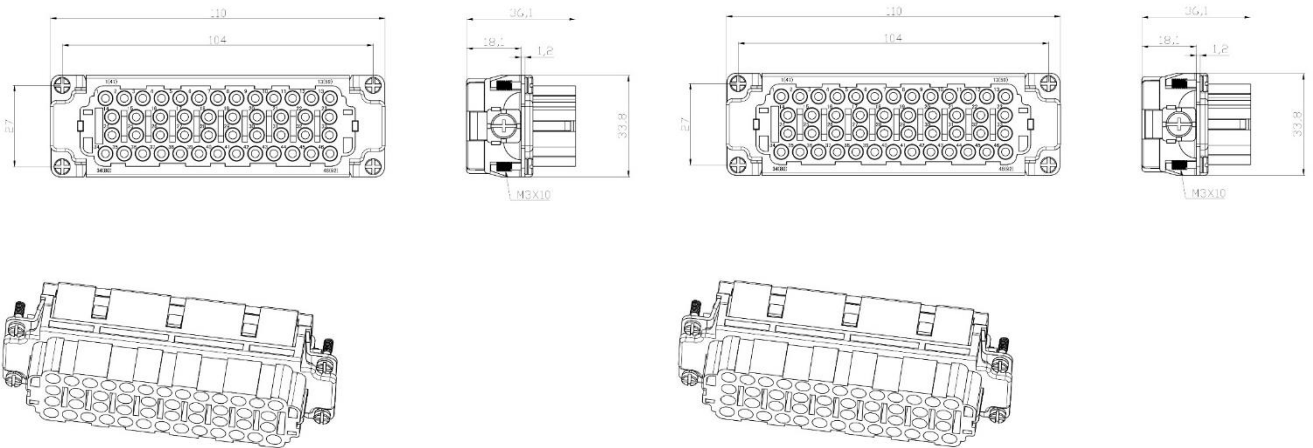


### 64 Pole Male Crimp for RS PRO H32B series Housing 208-4536 (2x 32 pole)



## Dimensional line drawings

### 92 Pole Female Crimp for RS PRO H48B series Housing 208-4537 (2x 46 pole)



### 46 Pole Male Crimp for RS PRO H48B series Housing 208-4538 (2x 46 pole)

