

Product Datasheet

Screw Ground Terminal Blocks, 10sq.mm

Screw Clamp Ground Terminal Blocks, 16-6 AWG, 1.5-10 sq.mm

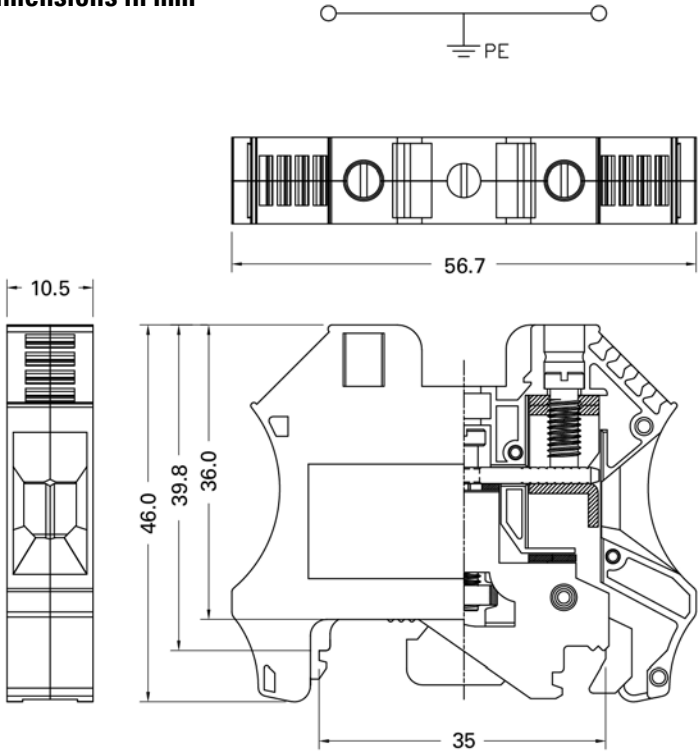
878-7550




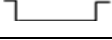


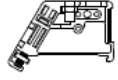
RoHS
Compliant



Dimensions in mm



Product Specifications:

Specifications	10mm ²
Technical Date	Rated voltage / Rated current / Wire size
UL	AWG 16-6
CSA	AWG 16-6
IEC	1.5-10mm ²
Insulating impulse voltage withstand/pollution degree	8KV / 3
Torque (in -lbs)	18
Clamping Screw (M)	M4
Insulation stripping length (mm)	10~12 mm
Net weight per piece	33.3g
Material / Available Color	 Green / Yellow
Rail Dimensions	T / W / H (mm)
For TS35x7.5 	10.5 x 57 x 47.5
For TS35x15 	10.5 x 57 x 55
Accessories	Cat. No.
End Bracket 	8787553
	8787556