

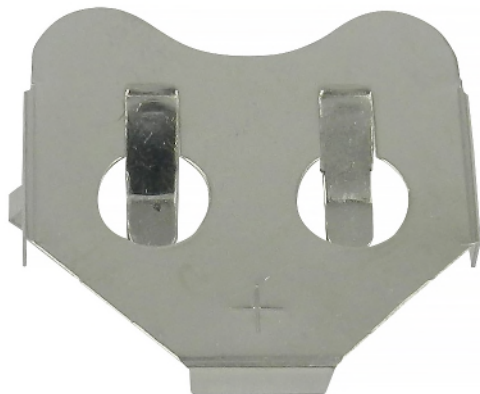


ENGLISH

Datasheet

RS Article:1854659

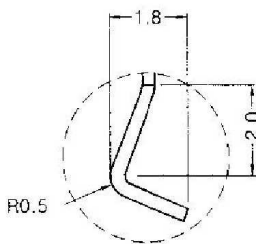
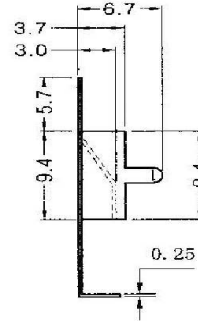
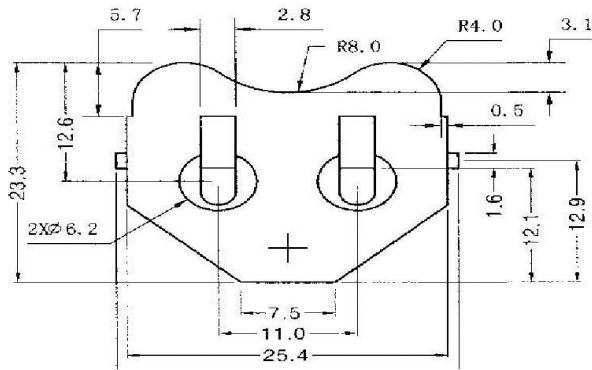
RS Pro Battery Holder



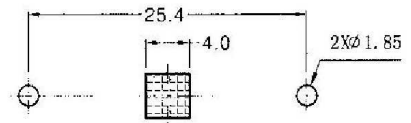
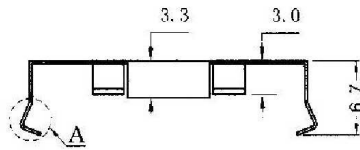
1. Preface:

The purpose of this product specification is to Dimension and drawing

Metal Coin Cell Holder CR2430



A 4:1



PCB Mounting layout

NOTE:

1. MATERIAL : 0.25MM PHOSPHOR BRONZE
NICKEL PLATED
2. ROHS COMPLIANT

Measure: mm