

# Datasheet

## Chassis Frame Mount Transformers, 2x115V Primary

# RS PRO

The Chassis Frame Mount Transformers 100VA are high quality isolating transformers designed for use in general applications. The two independent secondary windings may be connected in series or parallel to give a wide range of output voltage and current options. Designed according to the following specifications.

- The twin 115V primary windings have to be connected in series for 230V or parallel for 115V operation.
- Low noise laminations
- Full varnish impregnation
- Fully shrouded bobbins
- Multi-hole frame fixing
- Solder tag terminations
- Optional terminal shrouds
- Detailed product specification on permanent label
- High efficiency, low regulation design
- 100% electrical and flash tested

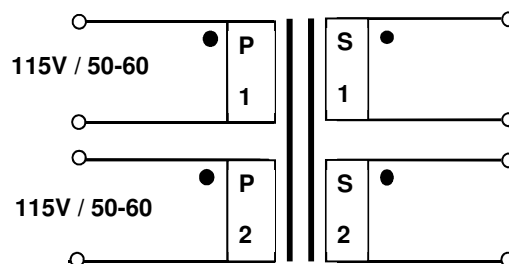


### Specifications

Power:	100 VA
Frequency:	50 / 60 Hz
Primary:	2x115 VAC, +/-10%
Secondary:	See specification
Isolation:	4 kV RMS
Temp class:	Ta (70°) / B
Protection class:	IP00
According to:	BS/EN 61558-1, AS/NZS 61558.1 and BS/EN 61558-2-6, AS/NZS 61558.2.6



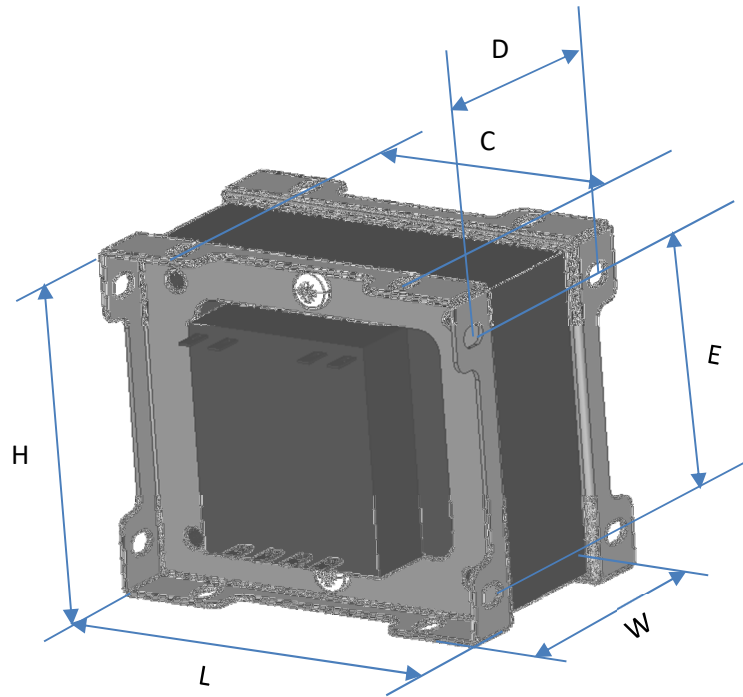
### Schematic/connections



**Ordering details:**

RS Stock number	Power VA	Specification	No-load voltage	According to
504331	100	Chassis mounting Transformer, 2x115V / 2x6V	6.6 V	EN61558-2-6
504325	100	Chassis mounting Transformer, 2x115V / 2x9V	9.9 V	EN61558-2-6
504341	100	Chassis mounting Transformers, 2x115V / 2x12V	13.4 V	EN61558-2-6
504319	100	Chassis mounting Transformer, 2x115V / 2x15V	16.4 V	EN61558-2-6
504335	100	Chassis mounting Transformer, 2x115V / 2x24V	26.4 V	EN61558-2-6

**Dimensions and fittings:**



Power [VA]	Overall Size L x W x H [mm]	Fixing			Weight [kg]	Efficiency %
		Horizontal C x D [mm]	Vertical E x D (mm)	Slot size (mm)		
100	89 x 75 x 68	57 x 43.5	57 x 43.5	4.7 x 7.9	1.60	87