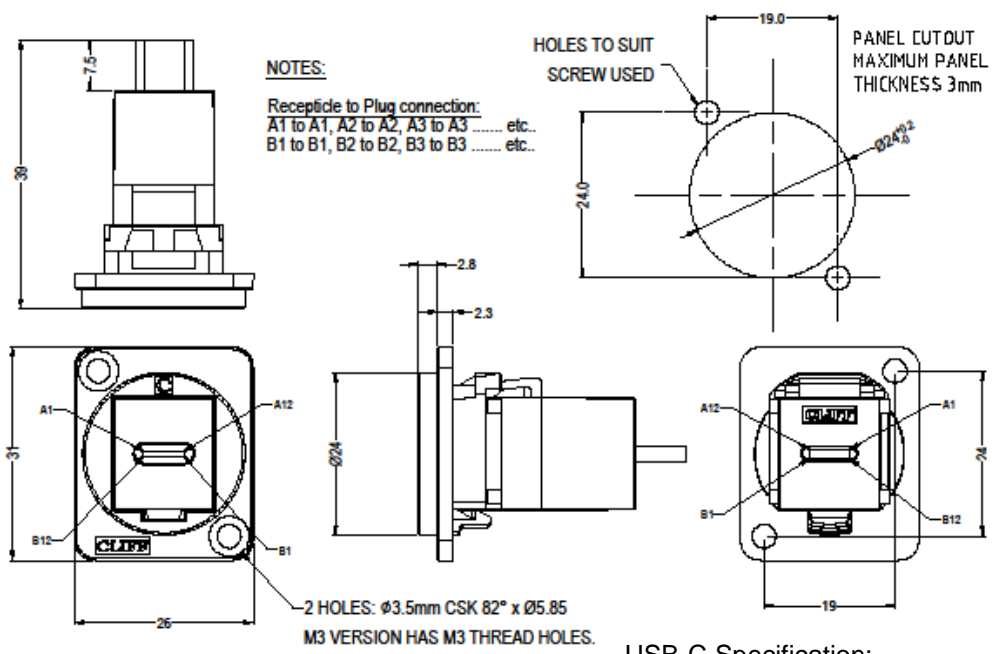


Datasheet

RS PRO USB-C F-M METAL M3 FEEDTHROUGH CONNECTOR

Stock No: 2035579, 2035580



Materials:
 Frame: Diecast, Black or Nickel Plated
 Insert: ABS - UL94 HB

USB-C Specification:
 Maximum Rated Current - 3A
 Maximum Working Voltage - 30V
 Withstanding Voltage - 100V for 1 minute.
 Contact Resistance - 40 Milli-ohms Max.
 Insulation Resistance - 100 Mega-ohms Min.
 Insulator Flammability Rating - UL-94V0
 Insertion Life - 10,000 Cycles.

Features & Benefits:

- Fits standard XLR Ø24mm cutout.
- No soldering or punch termination. Use standard cable for each connector style.
- Front or rear mounted.
- Low rear profile

General:

Please note: Functionality is affected by cable quality, length and cable wiring configuration.

Other models available:

Part No.

- 1438924** USB-C F-M Nickel plated metal frame, CSK holes
- 1438923** USB-C F-M Black metal frame, CSK holes



rspro.com

