

P/N 428/12



Fixed hose reel s. 430, for air-water 20 bar, with PU hose, 15 m \varnothing 13x19 mm

SECTORS OF USE

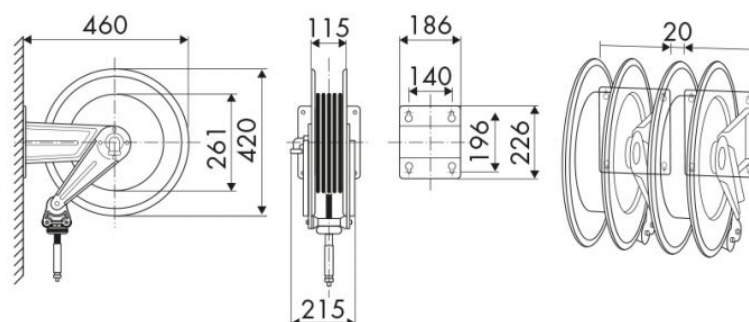
Agriculture, Automotive, Building and road construction, Industry, Lube trucks and transports

FEATURES

Pressure	20 bar
Compatible fluids	air - water
Swivel joint	brass
Seals	Viton®
Characteristic	fixed
Material	painted steel
Couplings	brass
Hose	p/n 961/15
\varnothing e hose length	\varnothing 1/2" - 15 m
Inlet	G 1/2" (f)
Outlet	G 1/2" (m)
Reel flow path	brass - zinc plated steel



OVERALL DIMENSIONS (mm)



FURTHER FEATURES

Capacity 13 x 19

15 m