

## Datasheet

# 165 mm Chrome Molybdenum Steel Circlip Pliers

RS Stock number 541-6854



### Specification

#### Material:

Chrome molybdenum steel for pliers, spring steel for automatic return function and vinyl dipping handles.

#### Finish:

Chemical black finish with polish main surface for pliers, red colour handle.

#### Hardness:

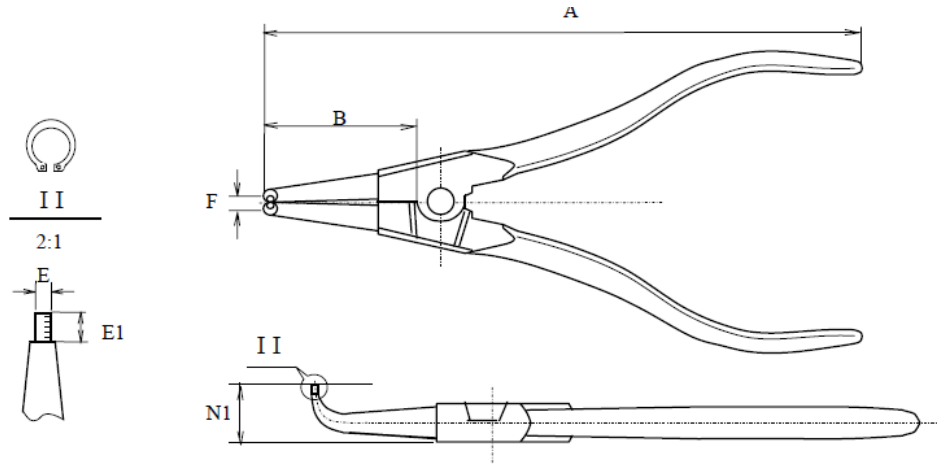
Heat treated to HRC: 45~55 (circlip tip), HRC: 44~48 (handle) and HRC: 30~48(joint)

#### Contents:

1 pc – 7" (153 mm) external 90 bent type, cylindrical tip circlip pliers with automatic return spring and red colour vinyl dipping grip (diameter of tip – 1.8mm, overall length -153mm, jaw length – 31 mm, circlip seal ring capacity – 19~60 mm)

#### Remarks:

1. dimensions, handle spin, retaining tests, permanent and humidity meet din-standard. (form a type)



Inspection item	Specification	Inspection tools
A mm	153±2.5	Kaliper
B mm	31.5+2	Kaliper
E mm	1.8±0.3	Kaliper
E1 mm	2.6±0.5	Kaliper
D max	(23)	Kaliper
N1 mm	(20)	Kaliper