



ENGLISH

Datasheet

**RS Pro Fixed Plate Castor GDS10075RF, 110kg**

RS Stock No: **296-2859**



## Product Details

RS Pro fixed castor has load capacity of 110 kg. These shock absorbing castors have a high-quality polyurethane tread and an aluminium hub.

## Features and Benefits

- Cast aluminium wheel
- Fitted with solid rubber shock absorbing block for vibration-free operation
- Braked option available

**Specifications:**

Features	Quiet Operation, Shock Absorbing
Fixing Centres (Length)	58 mm
Fixing Centres (Width)	58 mm
Fixing Centres	58 x 58 mm
Fixing Hole Size	6.5 mm
Fixing Plate Dimensions	73 x 73 mm
Fixing Plate Length	73 mm
Fixing Plate Width	73 mm
Hub Bearing Type	Roller Bearing
Hub Material	Aluminium
Includes Brake	No
Load Capacity	110 kg
Number of Fixing Holes	4
Overall Height	160 mm
Rotation	Fixed
Tyre Material	Rubber
Wheel Diameter	100 mm
Wheel Width	30 mm



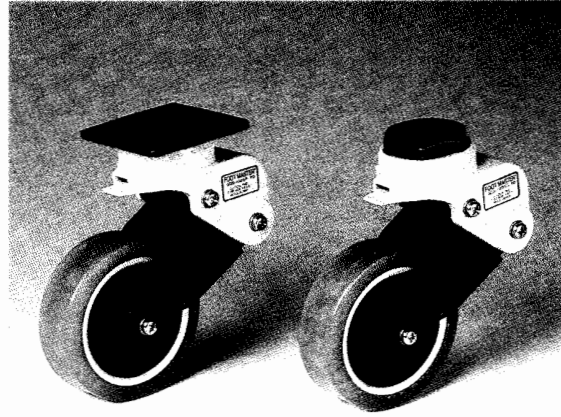
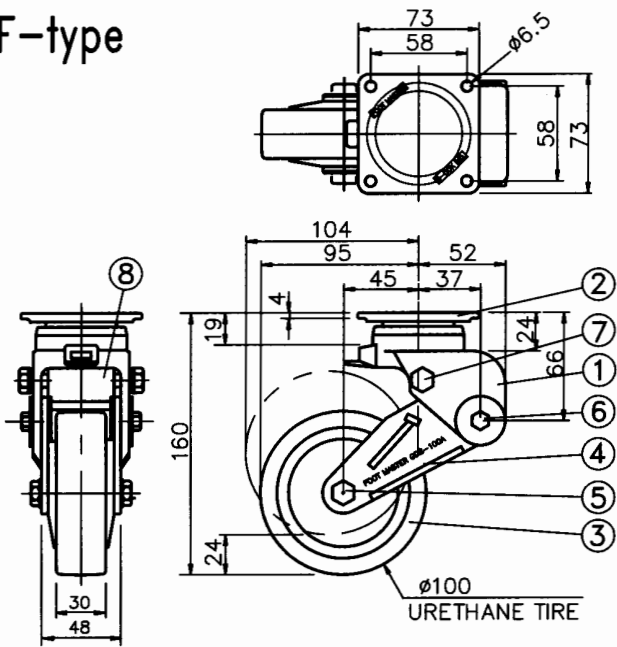
ENGLISH

# SHOCK ABSORBING SPRING CASTER

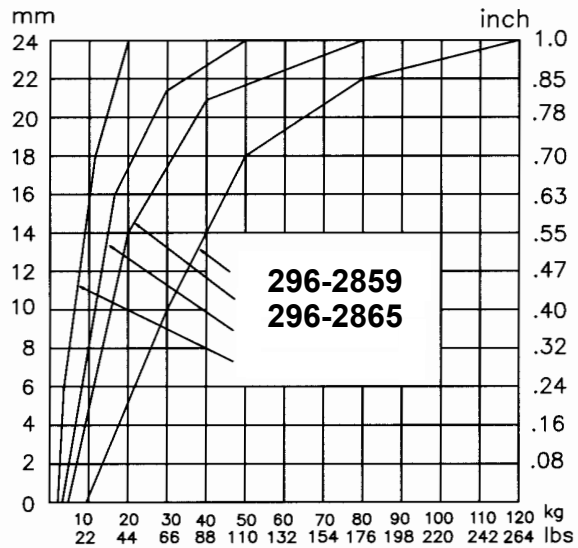
## 외형도 OUTLINES

(Unit : mm)

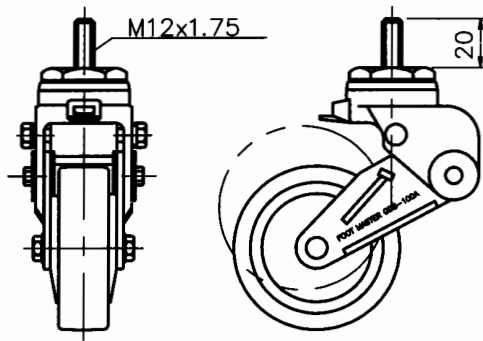
### F-type



## 성능곡선 PERFORMANCE CURVE



### S-type



## 재질 MATERIALS

품번 NO.	품명 PARTS NAME	재질 MATERIALS				비고 REMARKS
		KS	ASTM	DIN	JIS	
1	FRAME	ADC8	SC114A	G80 AISC03	D12S	아이보리 색
2	PLATE	SM45C	1045	C45	S45C	아연도금
3	WHEEL	우레탄	Urethane			
4	LEG	ADC8	SC114A	G80 AISC03	D12S	회색
5	BEARING					#608
6	HINGE PIN	SM45C	1045	C45	S45C	
7	LIMIT	SM45C	1045	C45	S45C	

RS, Professionally Approved Products, gives you professional quality parts across all products categories. Our range has been testified by engineers as giving comparable quality to that of the leading brands without paying a premium price.