

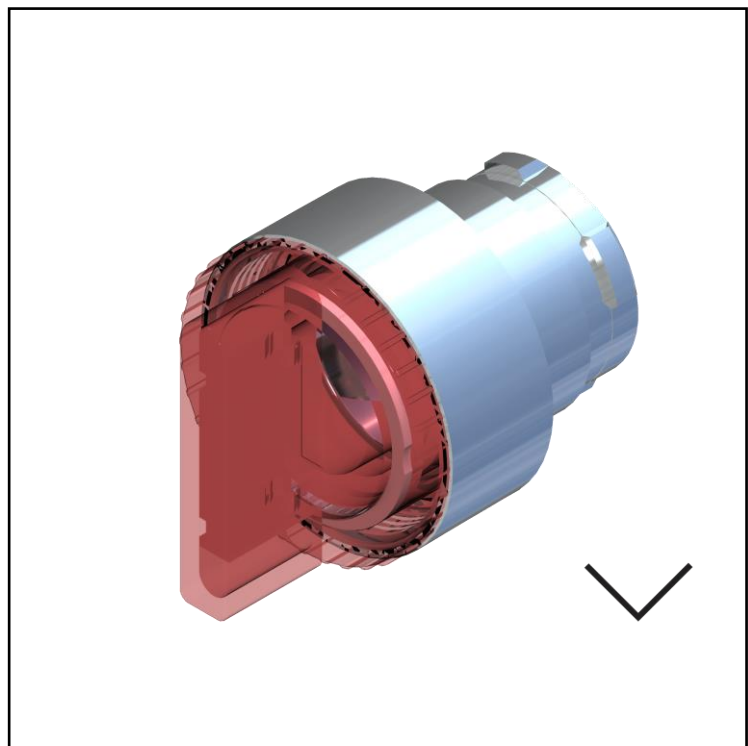
FEATURES

Front panel mount
Colour short lever
Chrome plated outer
Illuminated
Switch position: 2 or 3
Switch Actuation:
Maintained
Outer diameter: 30
mm
IP65 rating

RS PRO Selector Switch

Heads – Illuminated Short Lever

RS Stock No.: 2383910



RS Professionally Approved Products bring to you professional quality parts across all product categories. Our product range has been tested by engineers and provides a comparable quality to the leading brands without paying a premium price.

Family Name

Product Description

From the trusted brand RS PRO, a range of high-quality selector switch heads designed to be used in conjunction with a compatible contact block and support base. These selector switch heads have a chrome-plated body, illuminated short levers in various colours, and are available with 2 or 3 switch position options. During application, they are front panel mounted via a 22 mm cut-out and should be connected to a support base secured with screws. Once fully operational the selector switch heads open and close contacts, turn right, left, and centre with a positive feel without rotation of the operators.

General Specifications

Casing Material	Chrome-plated Zamak
Operator	Short lever selector switches 2383910 - 2 stable positions
Color	Illuminated red
Outer diameter	30

Mechanical Specifications

Operating Temperatures [°C]	-25 / +70
Stock Temperatures [°C]	-40 / +80
Mechanical durability (Millions of operations)	0.3
B10d (million of operations)	0.6
Max. switching frequency [Cicli/h]	3600

Electrical Specifications

--	--

Protection Category

IP Degree of Protection	65
-------------------------	----

Additional Information

Family Name

EAN	8000126233360
Custom Tariff Number	85371098

Classification

eCI@ss (Version)	
UNSPSC (Version)	

Approvals

Declarations	CE – UKCA
Standards Met	EN 60947-5-1 and UL 508

Similar Products

Stock No.	Brand	Product Name	Attribute 1	Attribute 2	Attribute 3
XXX-XXXX	RS PRO				
XXX-XXXX	RS PRO				

Connection Diagrams / Assembly Diagrams / Illustrations / Accessories