



25.4 cc MM4® 4-Stroke Engine Telescoping Pole Pruner

Model EY2650H25H

Powerful and Fuel Efficient MM4® Engine, No Fuel Mix Required



PERFORMANCE

Powerful fuel efficient 25.4 cc (1.1 HP), MM4® commercial duty engine



VERSATILITY

Telescoping shaft easily adjusts from 8 ft. to 13 ft. allowing access to hard-to-reach branches



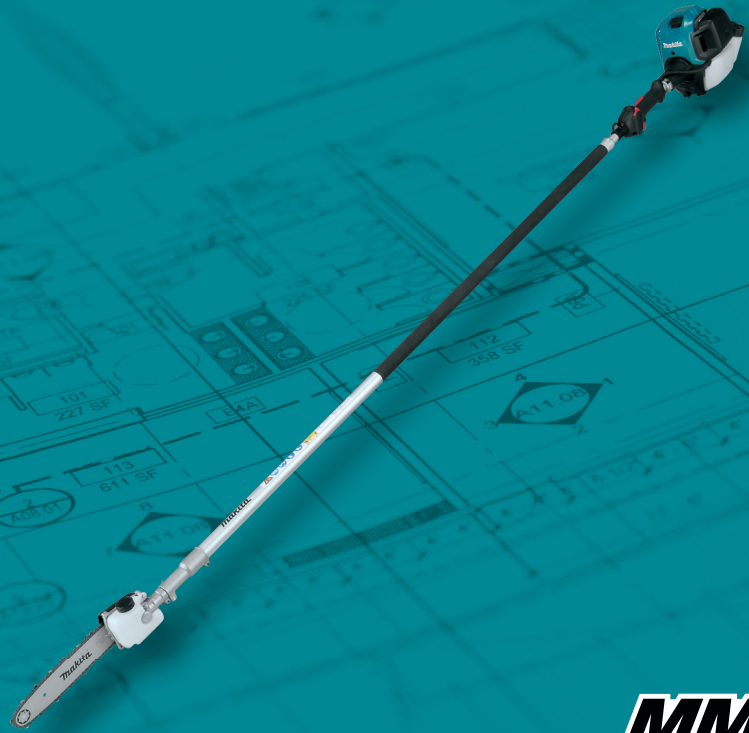
DURABILITY

Heavy duty dual-stage air filter with large sealing areas is easily accessible



CONTROL

Reduced cutting head weight for improved balance and reduced operator fatigue



MM4
4-STROKE ENGINE

FEATURES

- Weighs only 16.0 lbs. with reduced cutting head weight for improved balance and reduced operator fatigue
- Translucent bar oil tank with adjustable automatic chain lubrication for efficient operation
- Engine oil filling port and drain plug are easily accessible for fast oil changes
- Oil view window for convenient checking of engine oil level
- Translucent fuel tank with large opening for easier refueling
- Captured control wires help prevent snagging for improved durability
- 10" reversible sprocket nose bar for efficient pruning of branches
- Multi-position lubrication system allows engine operation at any angle

SPECIFICATIONS

Engine Displacement (cc)	25.4 cc
Engine (HP)	1.1 HP
Guide Bar Length	10"
Fuel Type	Unleaded gas
Fuel Tank Capacity	20 oz.
Crank Case Capacity	2.7 oz.
Overall Length	154-1/2"
Dry Weight	16 lbs.
Shipping Weight	24 lbs.
UPC Code	088381-666848

STANDARD EQUIPMENT

- 10" Guide Bar (165695-7)
- Chain Protector (452093-7)
- 10" Saw Chain (196142-7)

OPTIONAL ACCESSORIES

- 4-Cycle Engine Oil, 10W-30, 2.7 oz. (195826-4)
- 4-Cycle Engine Oil, 10W-30, 2.7 oz., 48/pk (195826-4-48)
- Bar Chain Oil, 1 Quart (181119-A)
- Combo Safety Helmet (986-200-002)