



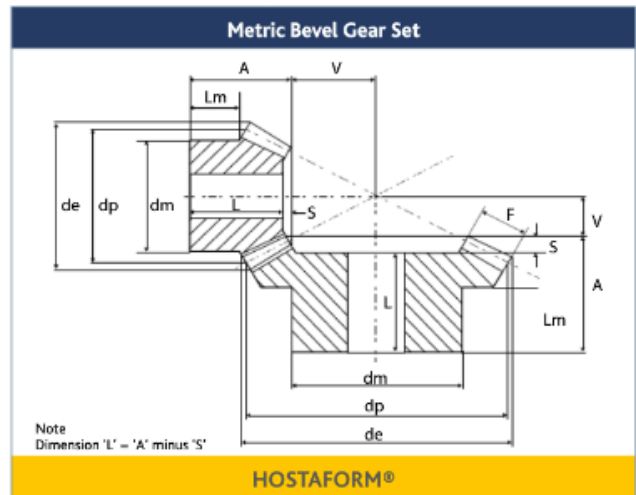
Datasheet

RS PRO Metric Moulded Bevel Gear, White HOSTAFORM®C 3:1 Ratio 1.0 – 2.5 MOD

Stock number: 182-8002, 182-8003, 182-8004, 182-8005, 182-8006, 182-8007, 182-8008, 182-8009

EN

- DIN 3964, DIN 3967, DIN 3971
- Standard tolerances, unless otherwise stated ± 0.25 mm
- Shaft axis to intersect within ± 0.025 mm
- Angular accuracy between shafts ± 5 mins
- Mounting distance tolerance ± 0.05 mm
- Bore tolerance H8
- 20° pressure angle
- Supplied in pairs
- All dimensions in mm
- White HOSTAFORM® C



Ratio 3 : 1												
MOD	RS Article no.	Pitch module	No. teeth	dp	de	dm	Bore	F	Lm	A	A+V	S
1	1828002	1	15	15	16.6	12.3	5	9.2	11	20.4	34.3	0
	1828003	1	45	45	46.1	23.4	10	9.2	9.6	18.2	22.7	1.7
1.5	1828004	1.5	15	22.5	25.1	17.2	8	14	12.5	26.8	47.9	0
	1828005	1.5	45	67.5	68.8	30.4	12	14	11.5	23	29.4	1.5
2	1828006	2	10	20	24	16.6	6	13	12	25	43.7	0
	1828007	2	30	60	61.7	30.3	12	13	11.5	22.5	28	2.3
2.5	1828008	2.5	10	25	29.7	18.8	8	16	13	28.8	52.4	0
	1828009	2.5	30	75	77.2	36.1	18	16	15.5	29	35.7	3.8

Note: Not sold as a set.

