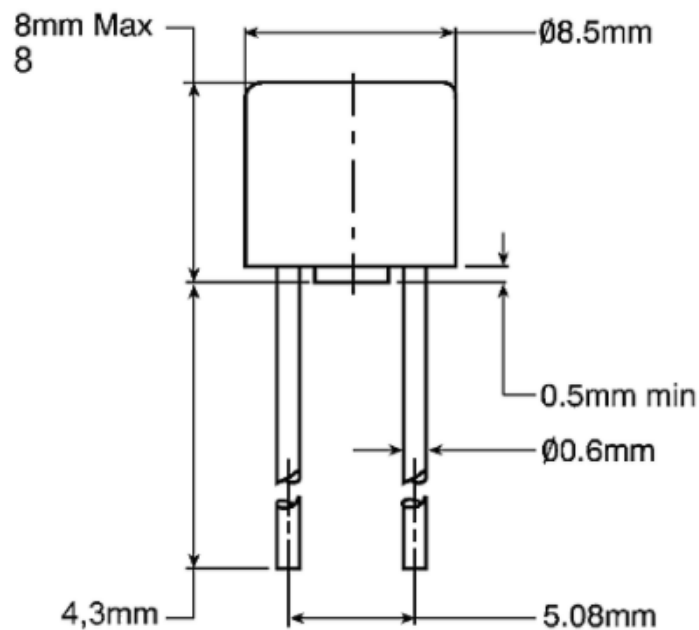


## Datasheet

# RS 6.3A Radial T Leaded PCB Mount Fuse, 250 V ac

RS Stock number [611-9346](#)



### MATERIALS:

Connector: BNC (F)

Body: Tarnish Resistant Plating, Center Contact: Gold Plated Beryllium Copper

Marking: "Pomona 2451"

Solder Turret Terminal Screws: Steel, 4 ea. #4-40

Shielded Housing: Die cast aluminum, alloy A380 or A384

Finish: Blue baked enamel per Federal Standard 595 #25109 over Phosphoric Etch per MIL-C-15328.

Marking: "Pomona Electronics Calif."

Cover: .040 thick aluminum 1100-H14

Finish: Clear anodized per MIL-A-8625

Marking: "Pomona 3751"

### RATINGS:

Operating Voltage: Inner conductor/Shield: 500 VRMS Max.

Operating Temperature: -55°C to +150°C

Nominal Impedance: 50 Ohms