



Main

Range of product	Pro-face ST6000
Product or component type	Touch panel screen

Complementary

Display size	10 inch
Display type	Colour TFT LCD
Display colour	16 million colours
Display resolution	1024 x 600 pixels WSVGA
Touch panel	Single touch analogue resistive
Backlight lifespan	50000 hours with white
Brightness	16 levels via touch panel
[Us] rated supply voltage	24 V DC
Inrush current	30 A
Input voltage limits	19.2...28.8 V DC
Allowable voltage drop time	10 ms
Voltage endurance	1000 V AC during 1 min
Maximum power consumption in W	12.6 W 9.6 W when power is not supplied to external devices 4.6 W when backlight is OFF
Memory description	Device memory 128 MB Backup memory 500 kB
Integrated connection type	COM1 serial link 1 SUB-D 9-pin female, interface: RS232C/RS422/RS485, transmission rate: 2400...115200 bps COM2 serial link 1 SUB-D 9-pin male, interface: RS422/RS485, transmission rate: 2400...115200 bps COM2 serial link 1 SUB-D 9-pin male, interface: RS422/RS485, transmission rate: 187.5 kbps compatible with Siemens MPI USB 2.0 type A USB 2.0 type micro B Ethernet female RJ45 10BASE-T/100BASE-TX
Data format	8 bits, no parity, 1 or 2 stop even or odd
Electrical connection	Cable 2 mm ² , AWG 14, max resistance 100 Ohm for functional grounding
Type of cooling	AN (air natural)
Fixing mode	By 4 screws, mounting on 1.6...5 mm thick panel conforming to UL 61010-2-201 By 4 screws conforming to IEC 61131-2 By 4 screws conforming to IEC 61000-6-2
Enclosure material	PC
Front material	Aluminium
Cut-out dimensions	255 x 185 mm
Height	203 mm
Width	273 mm

The information provided in this documentation contains general descriptions and/or technical characteristics of the performance of the products contained herein. This documentation is not intended as a substitute for and is not to be used for determining suitability or reliability of these products for specific user applications. It is the duty of any such user or integrator to perform the appropriate and complete risk analysis, evaluation and testing of the products with respect to the relevant specific application or use thereof. Neither Schneider Electric Industries SAS nor any of its affiliates or subsidiaries shall be responsible or liable for misuse of the information contained herein.

Depth	47 mm
Net weight	1.3 kg

Environment

Standards	IEC 61000-6-4 IEC 61000-6-2 IEC 61131-2 UL 61010-2-201 CSA C22.2 No 61010-2-201 KN 11 KN 61000-6-2
Product certifications	CE[RETURN]EAC[RETURN]UL/cUL listed[RETURN]IC[RETURN]RCM[RETURN]UKCA
Directives	2014/30/EU - electromagnetic compatibility 2014/35/EU - low voltage directive
Ambient air temperature for operation	0...50 °C
Ambient air temperature for storage	-20...60 °C
Relative humidity	10...90 % non-condensing
Storage Relative Humidity	10...90 % non-condensing
Operating altitude	2000 m
IP degree of protection	IP20 (rear panel) conforming to IEC 61131-2 IP65f (front panel) conforming to IEC 61131-2
NEMA degree of protection	NEMA 4X front panel (indoor use) NEMA Type 1 NEMA 13 front panel (in enclosure)
Pollution degree	2
Environmental characteristic	Corrosive gas free
Shock resistance	147 m/s ² for 11 ms (X, Y, Z directions for 3 times) conforming to IEC 61131-2
Vibration resistance	+/- 3.5 mm (f = 5...9 Hz) X, Y, Z directions for 10 cycles (approx. 100 min) conforming to IEC 61131-2 9.8 m/s ² (f = 9...150 Hz)
Insulation resistance	>= 10 MOhm
Electromagnetic compatibility	Electrical fast transient/burst immunity test - test level: 2 kV (power ports) conforming to IEC 61000-4-4 Electrical fast transient/burst immunity test - test level: 1 kV (signal ports) conforming to IEC 61000-4-4 Electrostatic discharge immunity test - test level: 6 kV level 3 (contact discharge) conforming to IEC 61000-4-2 Electrostatic discharge immunity test - test level: 8 kV level 3 (air discharge) conforming to IEC 61000-4-2

Packing Units

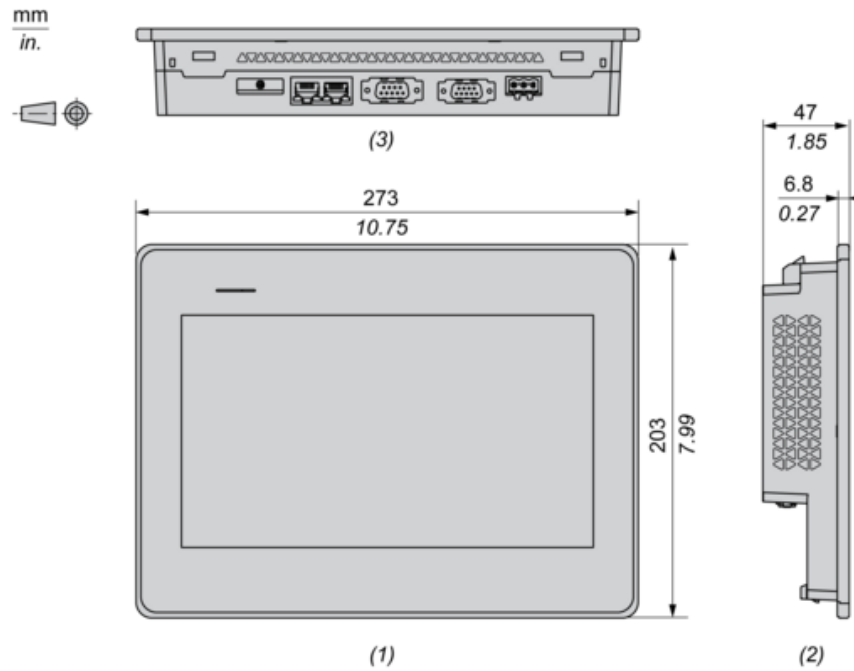
Unit Type of Package 1	PCE
Number of Units in Package 1	1
Package 1 Height	12.500 cm
Package 1 Width	28.000 cm
Package 1 Length	34.500 cm
Package 1 Weight	1.808 kg
Unit Type of Package 2	S04
Number of Units in Package 2	4
Package 2 Height	30.000 cm
Package 2 Width	40.000 cm
Package 2 Length	60.000 cm
Package 2 Weight	8.010 kg

Offer Sustainability

Sustainable offer status	Green Premium product
REACH Regulation	REACH Declaration
EU RoHS Directive	Pro-active compliance (Product out of EU RoHS legal scope)
Mercury free	Yes
China RoHS Regulation	China RoHS Declaration
RoHS exemption information	Yes
Environmental Disclosure	Product Environmental Profile
WEEE	The product must be disposed on European Union markets following specific waste collection and never end up in rubbish bins

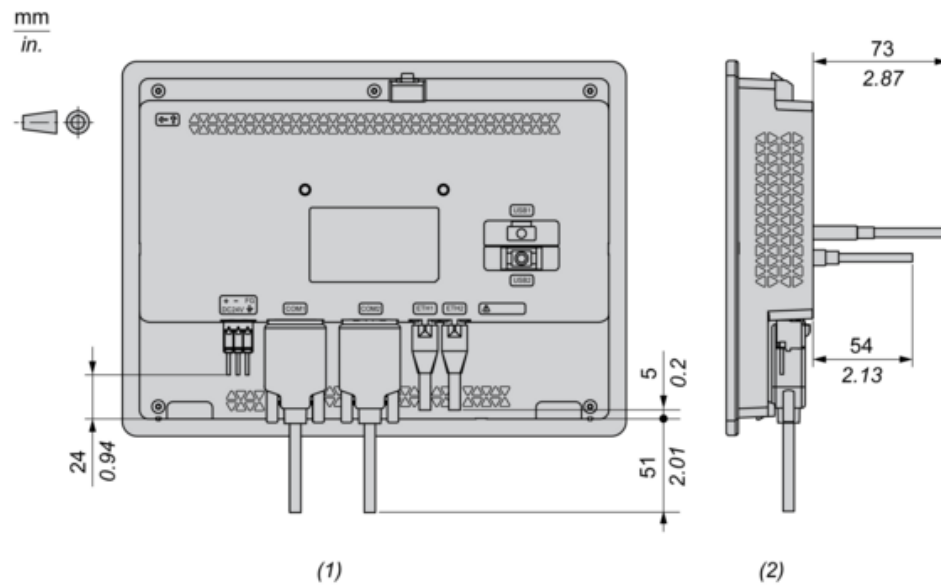
Dimensions

External Dimensions



- (1) : Front
- (2) : Left
- (3) : Bottom

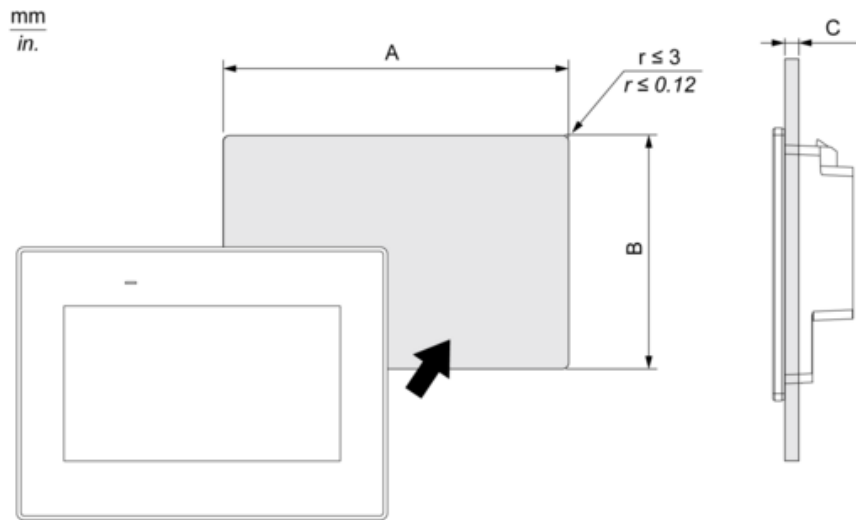
Dimensions with Cables



- (1) : Rear
- (2) : Right

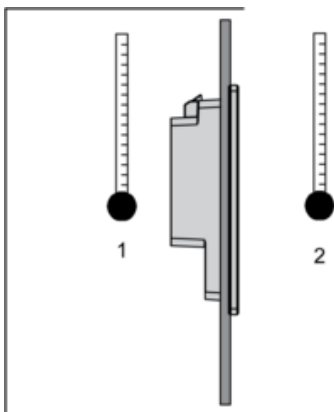
Mounting

Panel Cut Dimensions

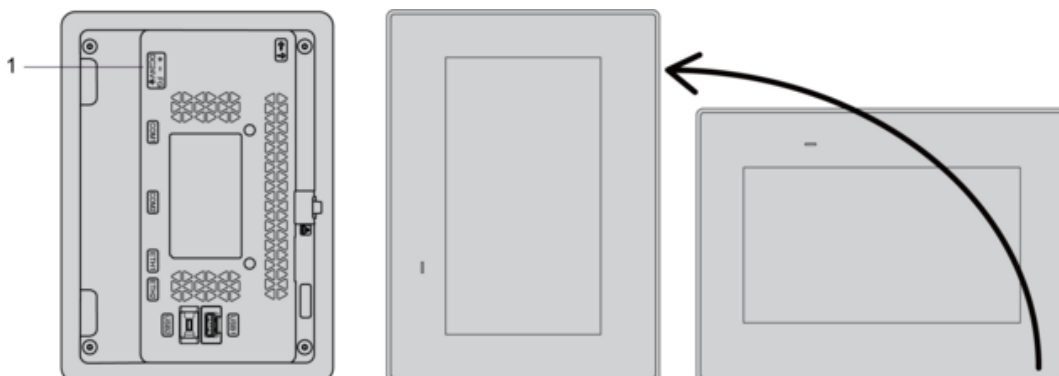


A		B		C	
mm	in.	mm	in.	mm	in.
255 (+1, -0)	10.04 (+0.04, -0)	185 (+1, -0)	7.28 (+0.04, -0)	1.6..5	0.06..0.2

Installation Requirements

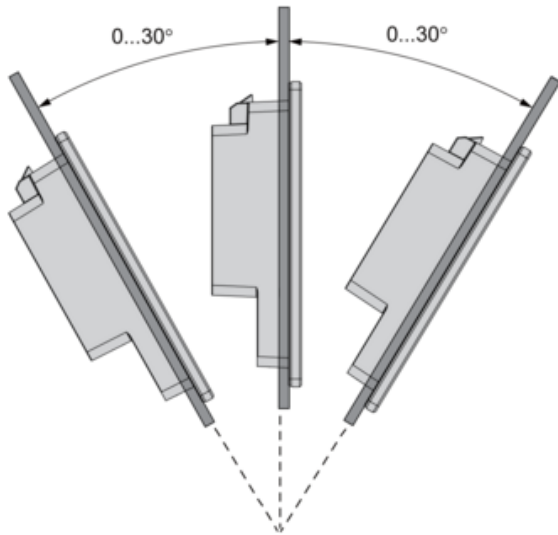


- 1 : Internal temperature
- 2 : External temperature



1 : Power connector

Mounting Angle



Clearance

mm
in.

