

## FEATURES

- Female RJ45 couplers
- Compatible with Cat5e cables
- XLR panel mounting
- Straight body orientation
- Made from durable black plastic
- RoHS (Restriction of Hazardous Substances) compliant

## FT CAT5e

RS Stock No.: 874-1263



RS Professionally Approved Products bring to you professional quality parts across all product categories. Our product range has been tested by engineers and provides a comparable quality to the leading brands without paying a premium price.

## Product Description

For a reliable connection for Cat5e cables, look to these RS PRO black plastic RJ45 feed-through couplers. They're designed for cables that can support network operating speeds of up to 1000 Mbps. An RJ45 connection is faster than WiFi as it lets you take advantage of the full speed of your network without interference.

These RJ45 couplers are housed in a standard XLR format body made from durable plastic. They're long-lasting and suitable for wall plugs or rack-mounting. No soldering or punch terminations are required, making installation straightforward. As they have a low rear profile, they fit into tight spaces and can be front-mounted or rear-mounted.

## General Specifications

<b>Interface Type</b>	RJ45 Female
<b>LAN Category</b>	Cat5e
<b>Number of Ports</b>	1
<b>Colour</b>	Black
<b>Applications</b>	Commercial or industrial environments where you need to join Cat5e cables

## Mechanical Specifications

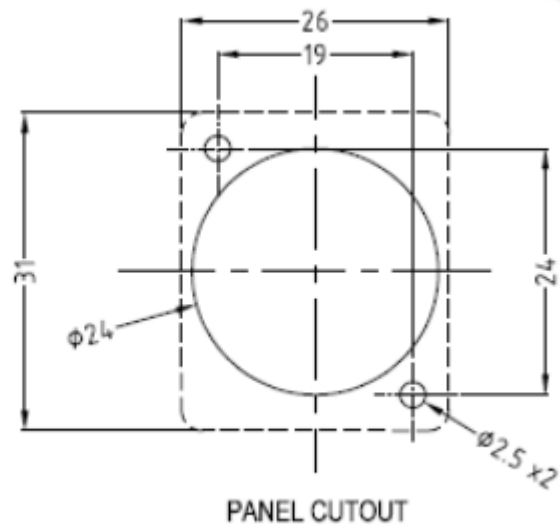
<b>Length</b>	31mm
<b>Width</b>	26mm
<b>Diameter</b>	24mm

## Approvals

<b>Compliance/Certifications</b>	RoHS (Restriction of Hazardous Substances) compliant, ANSI/ESD S20.20:2014 and BS EN 61340-5-1:2007
----------------------------------	---



Unit: mm





**Part No.**  
8741188  
8741232

**Description**  
HDMI A Female to HDMI A, Gold Plated, CSK hole.  
As above with Plain hole.



**Part No.**  
8741197  
8741235

**Description**  
USB 3.0 A to USB 3.0 A, Nickel Plated, CSK hole.  
As above with Plain hole



**Part No.**  
8741190  
8741239

**Description**  
USB 3.0 B to USB 3.0 A, Nickel Plated, CSK hole.  
As above with Plain hole



**Part No.**  
8741194  
8741248

**Description**  
USB 2.0 B to USB 2.0 A, Nickel Plated, CSK hole.  
As above with Plain hole



**Part No.**  
8741207  
8741245

**Description**  
LC Duplex SM adaptor, Black, CSK Hole  
As above with Plain hole



**Part No.**  
8741201  
8741254

**Description**  
LC Duplex MM adaptor, Black, CSK Hole  
As above with Plain hole



**Part No.**  
8741210  
8741257

**Description**  
SC Simplex SM adaptor, Black, CSK Hole  
As above with Plain hole



**Part No.**  
8741213  
8741251

**Description**  
SC Simplex MM adaptor, Black, CSK Hole  
As above with Plain hole



**Part No.**  
8741217  
8741260

**Description**  
FTP Cat5e RJ45-RJ45, Shielded, CSK Hole  
As above with Plain hole



**Part No.**  
8741226  
8741263

**Description**  
UTP Cat5e RJ45-RJ45, CSK Hole  
As above with Plain hole



**Part No.**  
8741229  
8741267

**Description**  
FTP Cat6 RJ45-RJ45, Shielded, CSK Hole  
As above with Plain hole



**Part No.**  
8741223  
8741276

**Description**  
UTP Cat6 RJ45-RJ45, CSK Hole  
As above with Plain hole