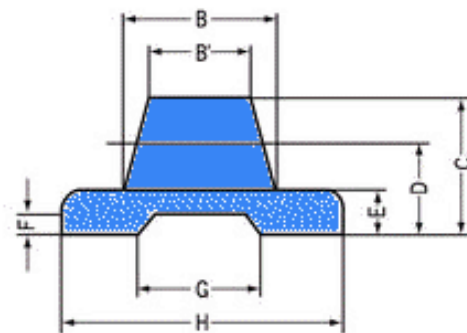
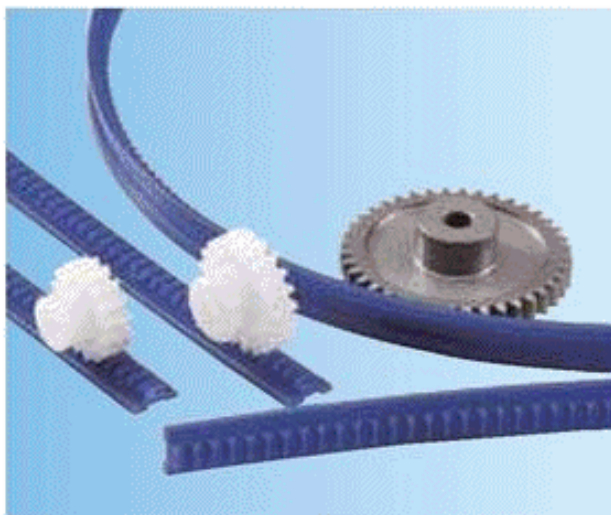


Datasheet

0.8 Mod to 2.0 Mod - 20° p.a. Flexible Metric Racks in DURACON (M25-44)



PFR Flexible Racks - extruded in DURACON M25-44

Stock No	Pitch Module	Std. Length mm.	B mm.	B ¹ mm.	C mm.	D mm.	E mm.	F mm.	G mm.	H mm.
PFR08/8/2	0.8	2000	3.8	3	3.3	2.5	1.5	0.7	3.7	8
PFR10/10/2	1.0	2000	5.0	4	4.3	3.3	2.0	0.9	4.9	10
PFR15/12/2	1.5	2000	6.5	5	5.7	4.2	2.3	1.0	8.0	12
PFR20/15/2	2.0	2000	8.0	6	7.0	5.0	2.5	1.1	10.1	15

Notes :

Recommended minimum pinion size = 20 teeth , recommended minimum bending radius >=150 mm.

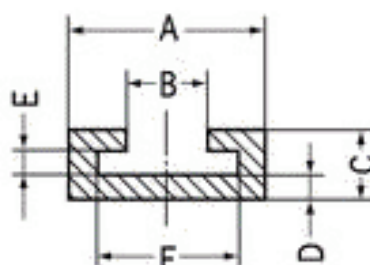
Maximum working temperature = 100 deg C

Duracon Flexible Racks are available in 2 metre lengths (+ or - 10 mm) and can easily be cut to the required length.

Special lengths up to 50 metres available upon request.

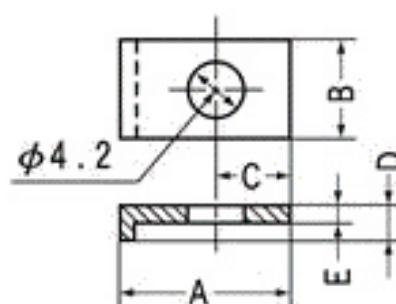
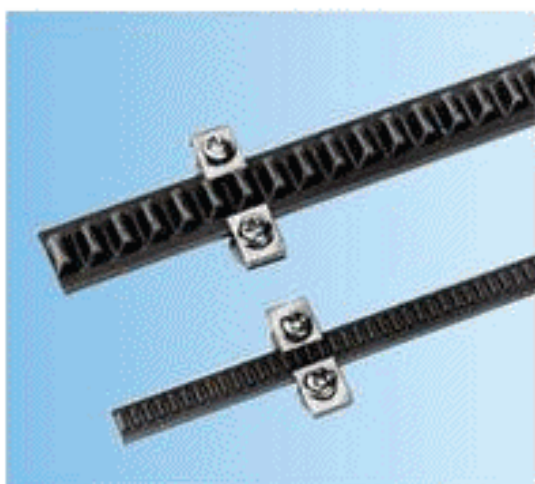
AFR Aluminium Fixing Rail - extruded in Alu A6063S

ENGLISH



Stock No	A mm.	B mm.	C mm.	D mm.	E mm.	F mm.	Fixing Rail Length mm.
AFR08/10/1	10.3	4.4	4.7	2	1.7	8.3	1000
AFR10/12/1	12.3	5.6	5.2	2	2.2	10.3	1000
AFR15/14/1	14.3	7.2	5.5	2	2.5	12.3	1000
AFR20/17/1	17.3	8.8	6.2	2.5	2.7	15.3	1000

FKIT Rack Clamping Plates & Screws



Stock No	For Rack MOD	A mm.	B mm.	C mm.	D mm.	E mm.
FKIT0810	0.8 / 1.0	10.2	8	4.5	2.7	1.2
FKIT1520	1.5 / 2.0	11.4	8	5.6	3.9	1.4

Notes :

One fixing kit pack consists of 10 x M4 screws and 10 x plates.

Please note : All dimensions subject to change.

If a dimension is critical to your application please contact our sales department for confirmation.
for [special racks](#) or [reworked](#) racks please contact our manufacturing department.