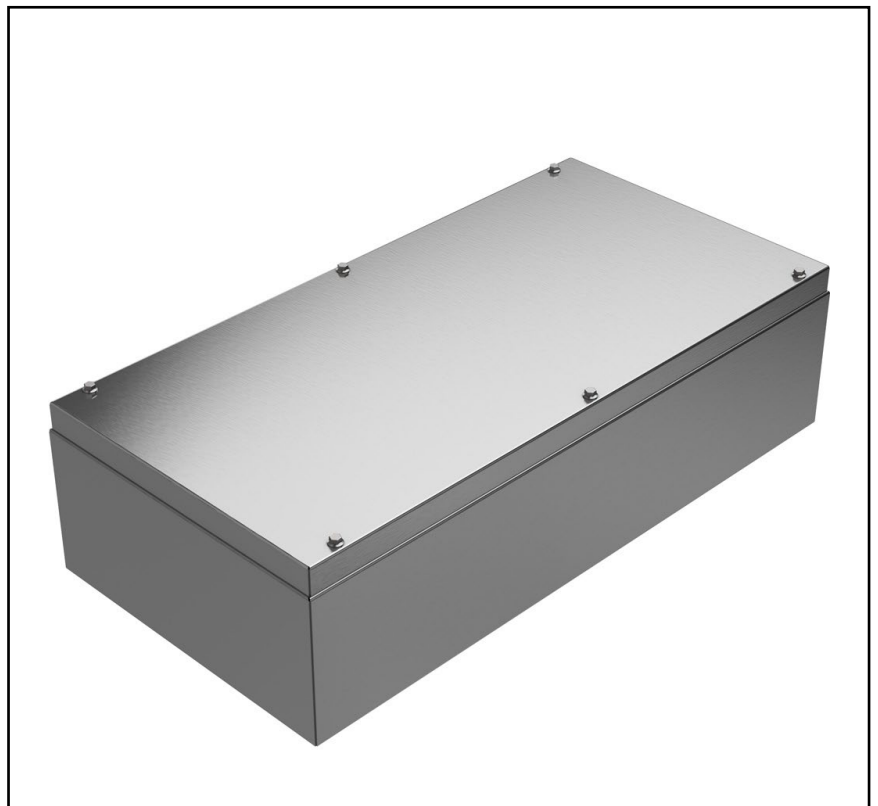


Features

- Wide temperature range -60°C to +200°C
- Watertight solution for outdoor and indoor application
- For use in aggressive atmospheres and hygienic environments
- Enclosure base with four mounting holes
- Two retaining brackets and welding studs for mounting built-in components
- Four possible grounding points on the retaining brackets

RS PRO Stainless Steel Enclosure, screwed lid, 300x600x160mm

RS Stock No.: 213-4070



RS PRO is the own brand of RS. The RS PRO Seal of Approval is your assurance of professional quality, a guarantee that every part is rigorously tested, inspected, and audited against demanding standards. Making RS PRO the Smart Choice for our customers.

Product Description

The stainless steel enclosures are particularly suitable for use in aggressive atmospheres and hygienic environments. The construction of the enclosure and the surface finish also allow for optimal cleaning. The IP66 protection class makes the enclosure waterproof and reliably protects the built-in components from dust. Thus, the stainless steel enclosures are suitable for indoor and outdoor use. The closure of the enclosure and the connection between cover and base are fixed with robust screws. In addition, mounting plates and mounting rails offer the possibility of integrating built-in components in the enclosure.

General Specifications

Use	General Purpose Enclosures
Body Material	Stainless Steel 304
Colour	Grinded, grain 320
Lid Colour	Grinded, grain 320
Handheld	No
Flanged	No
Shielded	No
Number of Knockouts	0
Transparent Door	No
Explosion Proof	No
Features	Screwed Lid, Chemical Resistant
Cover Screws Material	Stainless Steel
Temperature Range (Continuous)	-60 - +200°C

Mechanical Specifications

Gasket Material	Silicone
External Height	300 mm
External Length	600 mm
External Width	160 mm
External Dimension	300 mm x 600 mm x 160 mm
Weight	7,45 kg
Thickness	1.25 mm

Protection Category

IP Rating	IP66
IK Rating	IK09

Additional Information

EAN	4057624084578
Approvals	On demand

Similar Products

Stock No.	Brand	Product Name	Body Material	Colour	Shielded
213-4069	RS PRO	RS PRO Stainless Steel Enclosure, hinged lid, 400x400x160mm	Stainless Steel	Grinded, grain 320	No
213-4068	RS PRO	RS PRO Stainless Steel Enclosure, screwed lid, 400x400x160mm	Stainless Steel	Grinded, grain 320	No
213-4072	RS PRO	RS PRO Stainless Steel Enclosure, screwed lid, 300x300x200mm	Stainless Steel	Grinded, grain 320	No