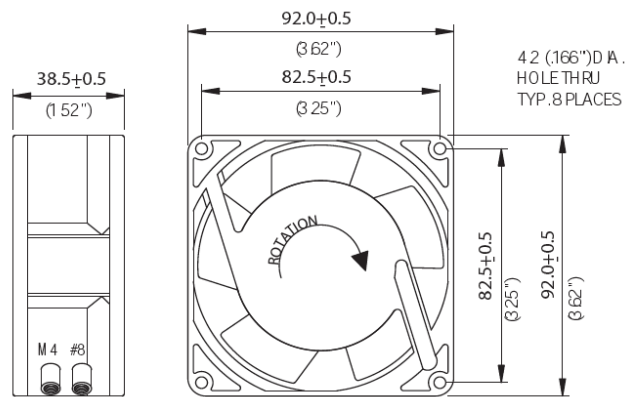




Datasheet

RS PRO AC AXIAL FAN 92×92×38mm

EN



Frame	Diecast Aluminum	<u>Operating Temperature</u> Ball Bearing -20C ~ +80C Sleeve Bearing -10C ~ +50C Storage Temp -40C ~ +80C <u>Life Expectancy</u> Ball Bearing 60,000 hours (L10 at 40C) Sleeve Bearing 30,000 hours (L10 at 40C) Weight: ~ 0.444 kgs (0.98 lbs)	
Impeller	PBT, UL94V-0 plastic		
Connection	2x Lead Wires 22 AWG or terminals		
Motor	Shaded pole, impedance protected		
Bearing System	Dual ball or Sleeve		
Insulation Resistance	>100M ohm between leadwire and frame (500VDC)		
Dielectric Strength	> 1 min at 1500 VAC, 50/60Hz		

Model Number	175-9798	175-9799
Connections	Wire Leads	Terminals
Speed (RPM)	3100	3100
Airflow (CFM)	50	50
Noise Level (dB)	32	32
Volts AC	230	230
Voltage Range	160-260	160-260
Watts	9	9
Max. Static Pressure	0.22" H ₂ O	0.22" H ₂ O