

FEATURES

- 4 mm male banana plug
- Nickel plated contact
- Side stackable plug for the ability to maximise the use of space
- Keeps your cables and equipment safe
- Voltage rating: 50V
- Current rating: 16A
- PVC insulation material to ensure a strong and durable plug

RS PRO Banana Plugs & Connectors – 4mm Banana Plug Black

RS Stock No.: 2121231



RS Professionally Approved Products bring to you professional quality parts across all product categories. Our product range has been tested by engineers and provides a comparable quality to the leading brands without paying a premium price.

Product Description

This side stackable plug has a screw connection for the lead wire and a push-on pliable PVC moulding. The conductor and outside diameter cable entry sizes are designed to suit PVC or silicone rubber flexible test cables up to 2,5mm².

General Specifications

Type	Bunch Pin Side Stackable Plug
Colour	Black
Gender	Male
Contact Material	Brass
Contact Plating	Bright Nickel Over Copper

Electrical Specifications

Voltage Rating	50V
Current Rating	16A
Termination Method	Screw
Insulation Material	PVC

Mechanical Specifications

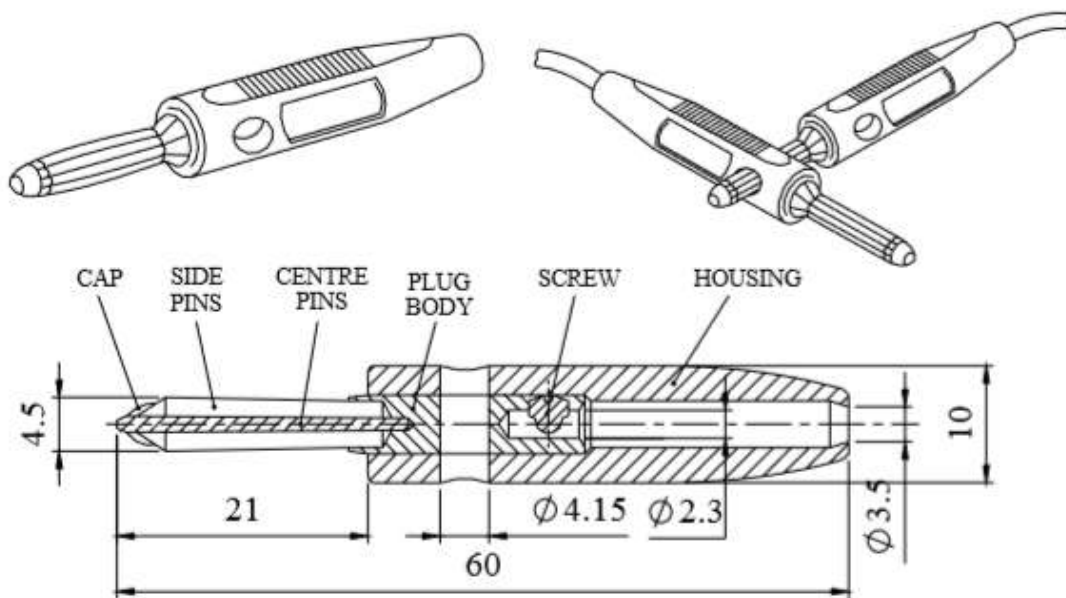
Length	60mm
---------------	------

Approvals

Declarations	RoHS Certificate of Compliance
---------------------	--------------------------------

Similar Products

Parameters	1806641	1806642	1806643	1806644
Brand	RS PRO	RS PRO	RS PRO	RS PRO
Type	Standard Banana Plug	Standard Banana Plug	Panel Mounting Socket	Panel Mounting Socket
Colour	Black	Red	Black	Red
Gender	Male	Male	Female	Female
Voltage Rating	50V	50V	50V	50V
Current Rating	10A	10A	10A	10A
Termination Method	Solder	Solder	Solder	Solder
Insulation Material	Acetal-LG	Acetal-LG	Polypropylene	Polypropylene
Length	43.8mm	43.8mm	28.5mm	28.5mm
Maximum Panel Thickness			13.5mm MAX	13.5mm MAX



BUNCH PIN SIDE STACKABLE PLUG

MATERIAL	
INSULATING SHELL	POLYPROPYLENE
SOCKET	BRASS, SILVER PLATED
NUT	BRASS, NICKEL PLATED
ELECTRICAL	
RATED CURRENT	10A
RATED VOLTAGE	50V
NOMINAL WORKING VOLTAGE	250 VOLTS R.M.S
CONTACT RESISTANCE	10mΩ
TEMPERATURE	+147°C to -20°C
RECOMMENDED TEMPERATURE	10A @ 55°C
MECHANICAL	
RECOMMENDED TORQUE	0.4Nm MAX
RECOMMENDED PANEL THICKNESS	13.5mm MAX