



ENGLISH

Datasheet

RS Article:1854746

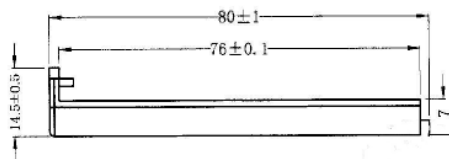
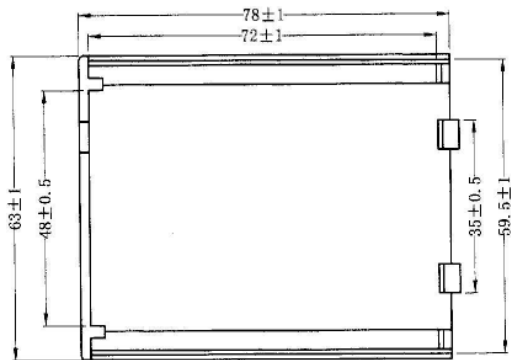
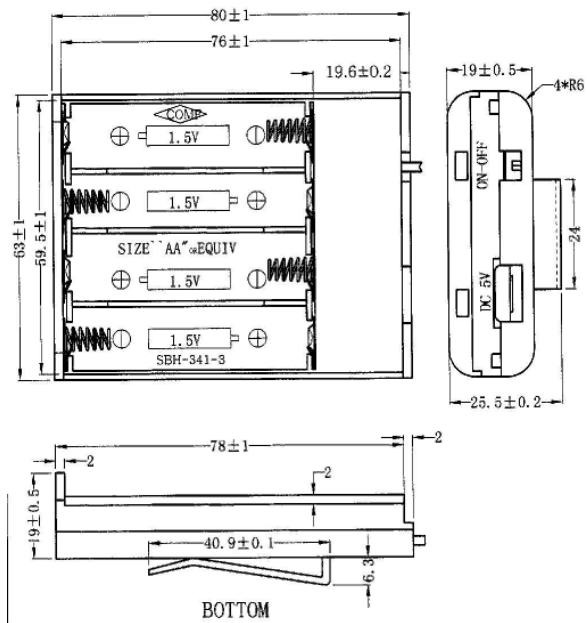
RS Pro Safety Battery Holder



1. Preface:

The purpose of this product specification is to Dimension and drawing

AA x 4 with USB



COVER

SPECIFICATION

- (1) ITEM NO: 1854746
- (2) VOLTAGE: DC OUTPUT 5V USB-A-01
A DIODE NEED TO BE ADDED
ON POSITIVE
- (3) MATERIAL: ABS RESIN BLACK COLOR
- (4) SPRING: 0.6MM 65C SPRING WIRE
- (5) SWITCH: SK13D01V5

Measure: mm