

## FEATURES

- Industry standard symmetrical rail – 35mm x 7.5mm
- Un-Slotted Din-Rail 80mm length
- Steel mounting rail, hot-dip galvanized using the Sendzimir process
- Conforms to EN 60715

# RS PRO, Din Rail, 80mm x 35mm x 7.5mm

**RS Stock No.:** 2258322



RS Professionally Approved Products bring to you professional quality parts across all product categories. Our product range has

## Din-Rails

been tested by engineers and provides a comparable quality to the leading brands without paying a premium price.

### Product Description

*From the trusted RS PRO brand, a selection of robust TS-35 deep DIN rails used for mounting various electrical and industrial equipment. The TS-35 rail or Top Hat as it is also known is manufactured from Steel that is hot-dip galvanized using the Sendzimir process. Available in various lengths and slotted and un-slotted (perforated) profiles for easy attachment and wiring.*

### General Specifications

<b>Compatibility</b>	Top-Hat
<b>DIN Rail Type</b>	TS35
<b>Applications</b>	DIN rail terminal blocks, Power supplies, Plug in relays, Timer modules, Panel meters, I/O devices, Robotics, Automation and control devices

### Mechanical Specifications

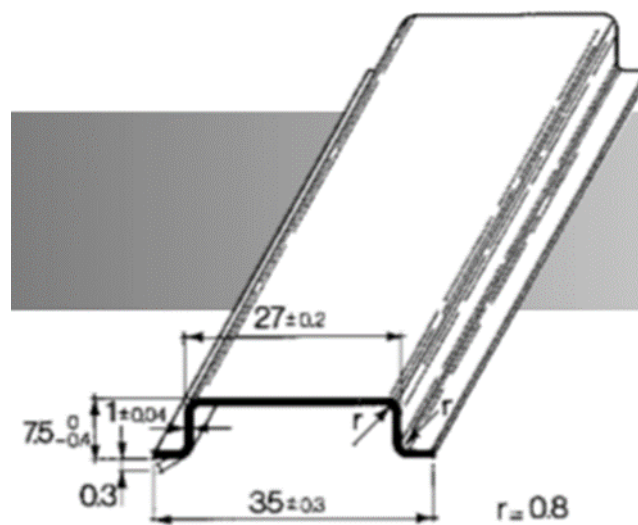
<b>Material</b>	Steel hot-dip galvanized using the Sendzimir process
<b>Length</b>	80 mm
<b>Width</b>	35 mm
<b>Height</b>	7.5 mm

### Approvals

<b>Standards Met</b>	EN 60715
----------------------	----------

### Similar Products

Stock No.	Brand	Product Name	Attribute 1	Attribute 2	Attribute 3



Connection Diagrams / Assembly Diagrams / Illustrations / Accessories