

Datasheet

## RS Pro E10 Filament Indicator Lamp, Clear, 5.2 V, 850 mA, 25h

RS Stock No: **655-9542**



### Product Details

RS Pro E10 filament indicator lamp comes with clear lens. It has high intensity, tungsten halogen rechargeable 4 W hand lamp with adjustable beam zoom and focus. It has a voltage rating of 5.2 V and current rating of 850 mA. The lamp has 25 h life.

### Features and Benefits

- Recharge time of 24 hours
- LED charge indicator
- NiCd battery protected from deep discharge
- Lamp circuit disconnected during charging

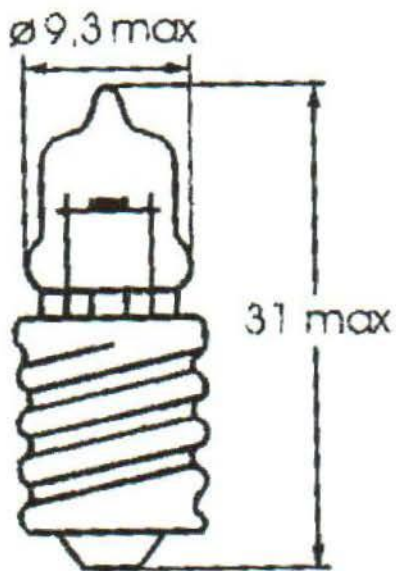
**Specifications:**

Current Rating	850 mA
Diameter	9.3 mm
Lamp Base	E10
Lamp Size	T9
Length	31 mm
Lens Colour	Clear
Life Hours	25 h
Luminosity	90 lm
Voltage Rating	5.2 V

RS Stock No.

6559542

*DRAWING - I*



Unit : mm

1. Structure	Bulb Type	T9X26
	Bulb Diameter	$\varnothing 9.3\text{Max.}$
	Length	31.0Max
	Base Type	E10.
2. Design Characteristics	Voltage	5.2V
	Amperage	850mA $\pm$ 10%
	Gas Type	Halogen-gas Type
	M.S.C.P.	6.77CP $\pm$ 20%
	Life Hours	25Hrs