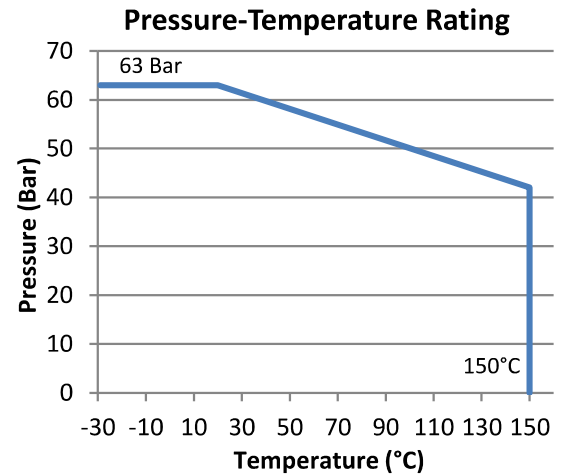
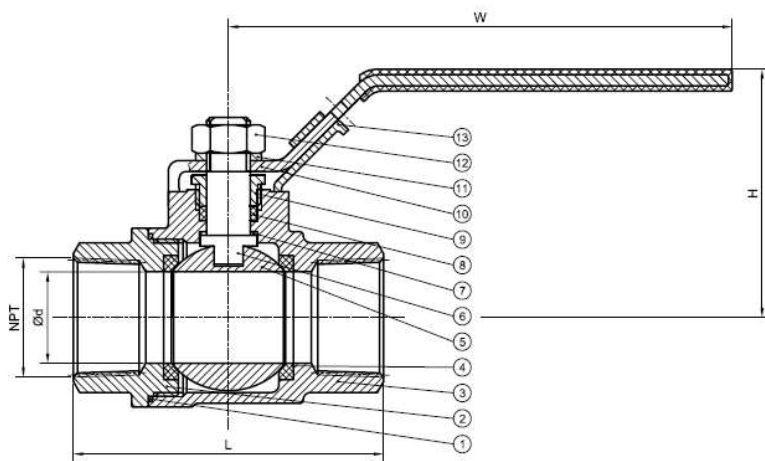


## 2 Piece Ball Valves

### Features

- 2 PC Body Design
- Full Bore, Quarter Turn Operation
- Sizes: 1/4" – 4" (DN8 – DN100)
- Working Pressure: 1000 WOG / 2000 WOG
- Threaded End: BSPP, NPT
- Applicable Medium: General Oil, Gas & Water Applications
- Blow-out Proof Stem Design
- Temperature: -20 Deg C to 120 Deg C



### Material List

No.	Part Name	Material	No.	Part Name	Material
1	Gasket	PTFE	8	Stem Packing	PTFE
2	Body Connector	CF8M	9	Gland	AISI 304
3	Body	CF8M	10	Handle	AISI 304
4	Seat Ring	PTFE	11	Wrench Washer	AISI 304
5	Ball	CF8M	12	Handle Nut	AISI 304
6	Stem	AISI 316	13	Locking Device	AISI 304
7	Thrust Washer	PTFE			

## Ordering Information

VL - S - B2 - G - 1000 - 08  
 I II III IV V VI

**I Type of Item**  
 VL Low Pressure Valves

**II Material Grade**  
 S SS316, CF8M CI Cast Iron  
 FS Forged Steel CS Cast Steel  
 B Brass

**III Item**  
 GA Gate Valve B1 1 PC Ball Valve  
 GL Globe Valve B2 2 PC Ball Valve  
 YS Y-Strainer B3 3 PC Ball Valve  
 SC Swing Check Valve BL 3 Way Ball Valve L Port  
 VC Vertical Check Valve BT 3 Way Ball Valve T Port  
 WC Wafer Check Valve BMF Male x Female Mini Ball Valve  
 DD Dual Disk BU Butterfly Valve

**IV Connection Type**  
 SW S/W G BSPP  
 BW B/W N NPT  
 R BSPT F Flange End  
 W Wafer L Lug

**V Pressure**  
 200 200 PSI 2000 2000 PSI  
 300 300 PSI 150 ANSI 150# Flange Standard  
 600 600 PSI 10K JIS 10K Flange Standard  
 800 800 PSI PN16 PN 16 Flange Standard  
 1000 1000 PSI

### For Inch OD & Inch NB Sizes

**VI Size**

Size	1/8"	1/4"	5/16"	3/8"	1/2"	5/8"	3/4"	1"
Code	02	04	05	06	08	10	12	16
Size	1 1/4"	1 1/2"	2"	2 1/2"	3"	4"	5"	6"
Code	20	24	32	40	48	64	80	96

**VII Coating**  
 (None) No Additional Coating  
 NI Nickel Plating

**Dimension List (1000 WOG)**

NPS	Connection	Impa Code	Part No	d	L	H	W	Weight (Kg)
1/4"	BSPP	75 66 65	VL-S-B2-G-1000-04	10	53	45	100	0.21
3/8"	BSPP	75 66 66	VL-S-B2-G-1000-06	12	53	45	100	0.25
1/2"	BSPP	75 66 67	VL-S-B2-G-1000-08	15	62	49	104	0.30
3/4"	BSPP	75 66 68	VL-S-B2-G-1000-12	20	70	55	118	0.51
1"	BSPP	75 66 69	VL-S-B2-G-1000-16	25	81	67	145	0.75
1 1/4"	BSPP	75 66 70	VL-S-B2-G-1000-20	32	95	70	145	1.48
1 1/2"	BSPP	75 66 71	VL-S-B2-G-1000-24	38	105	80	177	1.72
2"	BSPP	75 66 72	VL-S-B2-G-1000-32	50	117	92	177	3.08
2 1/2"	BSPP	75 66 73	VL-S-B2-G-1000-40	65	163	113	224	4.85
3"	BSPP	75 66 74	VL-S-B2-G-1000-48	80	190	127	242	7.53
4"	BSPP	-	VL-S-B2-G-1000-64	96	227	180	280	13.5
1/4"	NPT	75 65 89	VL-S-B2-N-1000-04	10	53	45	100	0.21
3/8"	NPT	75 65 90	VL-S-B2-N-1000-06	12	53	45	100	0.25
1/2"	NPT	75 65 91	VL-S-B2-N-1000-08	15	62	49	104	0.30
3/4"	NPT	75 65 92	VL-S-B2-N-1000-12	20	70	55	118	0.51
1"	NPT	75 65 93	VL-S-B2-N-1000-16	25	81	67	145	0.75
1 1/4"	NPT	75 65 94	VL-S-B2-N-1000-20	32	95	70	145	1.48
1 1/2"	NPT	75 65 95	VL-S-B2-N-1000-24	38	105	80	177	1.72
2"	NPT	75 65 96	VL-S-B2-N-1000-32	50	117	92	177	3.08
2 1/2"	NPT	75 65 97	VL-S-B2-N-1000-40	65	163	113	224	4.85
3"	NPT	75 65 98	VL-S-B2-N-1000-48	80	190	127	242	7.53
4"	NPT	-	VL-S-B2-N-1000-64	96	227	180	280	13.5

**Part Number Reference (1000 WOG)**

Impa Code	Part No	Description
75 66 65	VL-S-B2-G-1000-04	1/4"BSPP SS316 2 PC BALL VALVE (1000 WOG)
75 66 66	VL-S-B2-G-1000-06	3/8"BSPP SS316 2 PC BALL VALVE (1000 WOG)
75 66 67	VL-S-B2-G-1000-08	1/2"BSPP SS316 2 PC BALL VALVE (1000 WOG)
75 66 68	VL-S-B2-G-1000-12	3/4"BSPP SS316 2 PC BALL VALVE (1000 WOG)
75 66 69	VL-S-B2-G-1000-16	1"BSPP SS316 2 PC BALL VALVE (1000 WOG)
75 66 70	VL-S-B2-G-1000-20	1 1/4"BSPP SS316 2 PC BALL VALVE (1000 WOG)
75 66 71	VL-S-B2-G-1000-24	1 1/2"BSPP SS316 2 PC BALL VALVE (1000 WOG)
75 66 72	VL-S-B2-G-1000-32	2"BSPP SS316 2 PC BALL VALVE (1000 WOG)
75 66 73	VL-S-B2-G-1000-40	2 1/2"BSPP SS316 2 PC BALL VALVE (1000 WOG)
75 66 74	VL-S-B2-G-1000-48	3"BSPP SS316 2 PC BALL VALVE (1000 WOG)
-	VL-S-B2-G-1000-64	4"BSPP SS316 2 PC BALL VALVE (1000 WOG)
75 65 89	VL-S-B2-N-1000-04	1/4"NPT SS316 2 PC BALL VALVE (1000 WOG)
75 65 90	VL-S-B2-N-1000-06	3/8"NPT SS316 2 PC BALL VALVE (1000 WOG)
75 65 91	VL-S-B2-N-1000-08	1/2"NPT SS316 2 PC BALL VALVE (1000 WOG)
75 65 92	VL-S-B2-N-1000-12	3/4"NPT SS316 2 PC BALL VALVE (1000 WOG)
75 65 93	VL-S-B2-N-1000-16	1"NPT SS316 2 PC BALL VALVE (1000 WOG)
75 65 94	VL-S-B2-N-1000-20	1 1/4"NPT SS316 2 PC BALL VALVE (1000 WOG)
75 65 95	VL-S-B2-N-1000-24	1 1/2"NPT SS316 2 PC BALL VALVE (1000 WOG)
75 65 96	VL-S-B2-N-1000-32	2"NPT SS316 2 PC BALL VALVE (1000 WOG)
75 65 97	VL-S-B2-N-1000-40	2 1/2"NPT SS316 2 PC BALL VALVE (1000 WOG)
-	VL-S-B1-N-1000-48	3"NPT SS316 1 PC BALL VALVE (1000 WOG)
-	VL-S-B1-N-1000-64	4"NPT SS316 1 PC BALL VALVE (1000 WOG)

**Dimension List (2000 WOG)**

NPS	Connection	Impa Code	Part No	d	L	H	W	Weight (Kg)
1/4"	BSPP	75 66 65	VL-S-B2-G-2000-04	10	55	42	95	0.21
3/8"	BSPP	75 66 66	VL-S-B2-G-2000-06	10	55	42	95	0.25
1/2"	BSPP	75 66 67	VL-S-B2-G-2000-08	15	62	51	108	0.30
3/4"	BSPP	75 66 68	VL-S-B2-G-2000-12	20	72	58	115	0.51
1"	BSPP	75 66 69	VL-S-B2-G-2000-16	25	84	77	135	0.75
1 1/4"	BSPP	75 66 70	VL-S-B2-G-2000-20	32	97	83	150	1.48
1 1/2"	BSPP	75 66 71	VL-S-B2-G-2000-24	38	104	97	175	1.72
2"	BSPP	75 66 72	VL-S-B2-G-2000-32	49	120	106	190	3.08
2 1/2"	BSPP	75 66 73	VL-S-B2-G-2000-40	63	150	122	220	4.85
3"	BSPP	75 66 74	VL-S-B2-G-2000-48	80	164	140	250	7.53
1/4"	NPT	75 65 89	VL-S-B2-N-2000-04	10	55	42	95	0.21
3/8"	NPT	75 65 90	VL-S-B2-N-2000-06	10	55	42	95	0.25
1/2"	NPT	75 65 91	VL-S-B2-N-2000-08	15	62	51	108	0.30
3/4"	NPT	75 65 92	VL-S-B2-N-2000-12	20	72	58	115	0.51
1"	NPT	75 65 93	VL-S-B2-N-2000-16	25	84	77	135	0.75
1 1/4"	NPT	75 65 94	VL-S-B2-N-2000-20	32	97	83	150	1.48
1 1/2"	NPT	75 65 95	VL-S-B2-N-2000-24	38	104	97	175	1.72
2"	NPT	75 65 96	VL-S-B2-N-2000-32	49	120	106	190	3.08
2 1/2"	NPT	75 65 97	VL-S-B2-N-2000-40	63	150	122	220	4.85
3"	NPT	75 65 98	VL-S-B2-N-2000-48	80	164	140	250	7.53

**Part Number Reference (2000 WOG)**

Impa Code	Part No	Description
75 66 65	VL-S-B2-G-2000-04	1/4"BSPP SS316 2 PC BALL VALVE (2000 WOG)
75 66 66	VL-S-B2-G-2000-06	3/8"BSPP SS316 2 PC BALL VALVE (2000 WOG)
75 66 67	VL-S-B2-G-2000-08	1/2"BSPP SS316 2 PC BALL VALVE (2000 WOG)
75 66 68	VL-S-B2-G-2000-12	3/4"BSPP SS316 2 PC BALL VALVE (2000 WOG)
75 66 69	VL-S-B2-G-2000-16	1"BSPP SS316 2 PC BALL VALVE (2000 WOG)
75 66 70	VL-S-B2-G-2000-20	1 1/4"BSPP SS316 2 PC BALL VALVE (2000 WOG)
75 66 71	VL-S-B2-G-2000-24	1 1/2"BSPP SS316 2 PC BALL VALVE (2000 WOG)
75 66 72	VL-S-B2-G-2000-32	2"BSPP SS316 2 PC BALL VALVE (2000 WOG)
75 66 73	VL-S-B2-G-2000-40	2 1/2"BSPP SS316 2 PC BALL VALVE (2000 WOG)
75 66 74	VL-S-B2-G-2000-48	3"BSPP SS316 2 PC BALL VALVE (2000 WOG)
75 65 89	VL-S-B2-N-2000-04	1/4"NPT SS316 2 PC BALL VALVE (2000 WOG)
75 65 90	VL-S-B2-N-2000-06	3/8"NPT SS316 2 PC BALL VALVE (2000 WOG)
75 65 91	VL-S-B2-N-2000-08	1/2"NPT SS316 2 PC BALL VALVE (2000 WOG)
75 65 92	VL-S-B2-N-2000-12	3/4"NPT SS316 2 PC BALL VALVE (2000 WOG)
75 65 93	VL-S-B2-N-2000-16	1"NPT SS316 2 PC BALL VALVE (2000 WOG)
75 65 94	VL-S-B2-N-2000-20	1 1/4"NPT SS316 2 PC BALL VALVE (2000 WOG)
75 65 95	VL-S-B2-N-2000-24	1 1/2"NPT SS316 2 PC BALL VALVE (2000 WOG)
75 65 96	VL-S-B2-N-2000-32	2"NPT SS316 2 PC BALL VALVE (2000 WOG)
75 65 97	VL-S-B2-N-2000-40	2 1/2"NPT SS316 2 PC BALL VALVE (2000 WOG)
75 65 98	VL-S-B2-N-2000-48	3"NPT SS316 2 PC BALL VALVE (2000 WOG)