

RoHS
Compliant



Specification

Rated Voltage	: 100V AC to 240V AC 50Hz/60Hz
Rated Current	: 0.08 A @ 100V AC 0.045 A @ 240V AC
Rated Power	: 3.6 W
Tolerance	: ±20% on Rated Power and Current
Rated Speed	: 3100 RPM ±10% in Free Air at Rated Voltage
Max. Airflow at Zero Static Pressure	: Nominal 90.1 / MIN. 77.9 CFM Nominal 153 / MIN. 132 m ³ /h
Max. Static Pressure at Zero Airflow	: Nominal 0.31 / MIN. 0.25 inch-H ₂ O Nominal 77 / MIN. 62 Pa
Acoustic Noise	: Nominal 40.2 dB(A) / MAX. 44 dB(A)
Insulation Class	: F
Ingress Protection	: IP55
Life Expectancy	: 70,000 Hours at 40°C, 15-65% RH.
Direction of Rotation	: Counter-Clockwise From Blade Side

Mechanical

Bearing System	: Ball Bearing System
Materials of Frame	: Thermoplastic PBT of UL 94V-0
Materials of Fan Blade	: Thermoplastic PPS of UL 94V-0
Impeller Balance Grade	: G6.3 Per ISO 1940-1:2003(E)
Weight	: 265 Grams

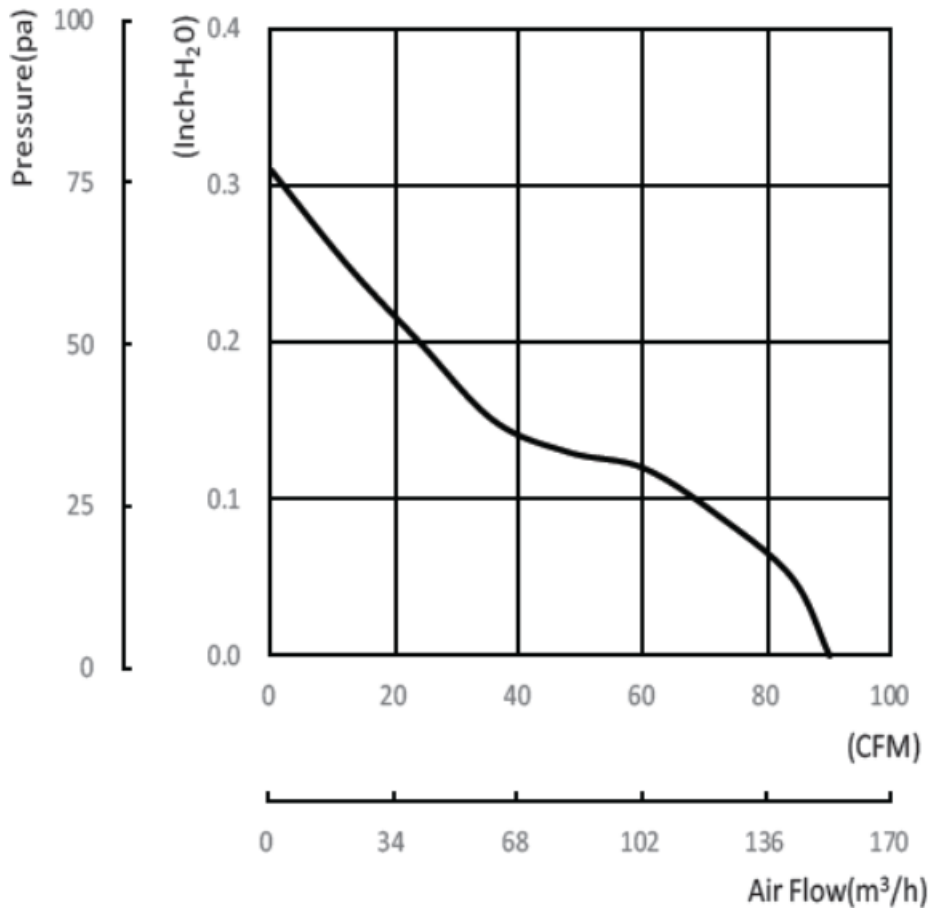
Environmental

Operating Temperature Range	: -25°C to +70°C
Storage Temperature Range	: -40°C to +70°C
Operating Humidity Range	: 5 to 90% RH
Storage Humidity Range	: 5 to 95% RH

Protection

- Automatic Restart
- Soft Start
- Over Load Protection
- Locked Rotor Protection

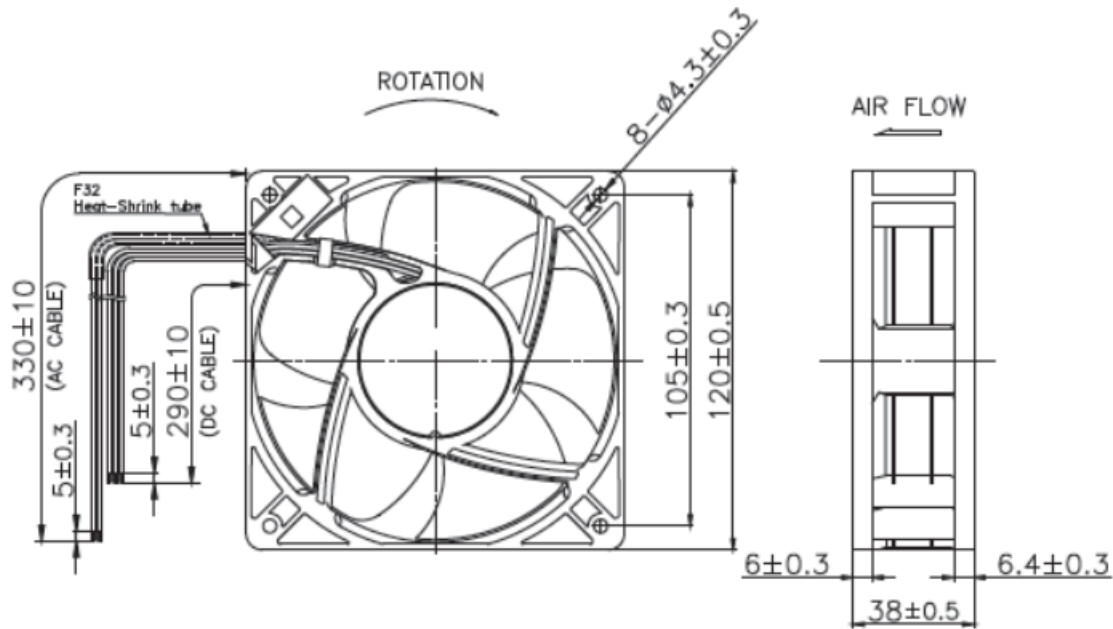
Air Flow & Static Pressure Curve



NOTE: The airflow and static pressure are measured with specific fixture.

Dimensions

Screw Type (Pan Head)	Torque	Screw Spec.	
		Size	Standard
Machine Screw	3~4 kgf-cm	M4	JIS B1111-1974



Item	Functions	Wire Type	Colour
AC Cable	L	UL 3266 #24AWG	Gray
	N	UL 3266 #24AWG	
DC Cable	ISO_GND	UL 1007 #24AWG	Black
	FG	UL 1007 #24AWG	Yellow
	PWM	UL 1007 #24AWG	Blue

Dimensions : Millimetres

Part Number Table

Description	Part Number
AC Axial Fan, 120mm × 38mm, 100V-240V AC, IP55	MP-CF4113MBL-10000-SB9

Important Notice : This data sheet and its contents (the "Information") belong to the members of the AVNET group of companies (the "Group") or are licensed to it. No licence is granted for the use of it other than for information purposes in connection with the products to which it relates. No licence of any intellectual property rights is granted. The Information is subject to change without notice and replaces all data sheets previously supplied. The Information supplied is believed to be accurate but the Group assumes no responsibility for its accuracy or completeness, any error in or omission from it or for any use made of it. Users of this data sheet should check for themselves the Information and the suitability of the products for their purpose and not make any assumptions based on information included or omitted. Liability for loss or damage resulting from any reliance on the Information or use of it (including liability resulting from negligence or where the Group was aware of the possibility of such loss or damage arising) is excluded. This will not operate to limit or restrict the Group's liability for death or personal injury resulting from its negligence. Multicomp Pro is the registered trademark of Premier Farnell Limited 2019.