



EN

## Datasheet

# RS PRO NYLON-INSULATED CORD END TERMINALS (FERRULES)

Stock number: **2069702**

MAXIMUM ELECTRIC CURRENT:

A.W.G.	4
AMP.	125

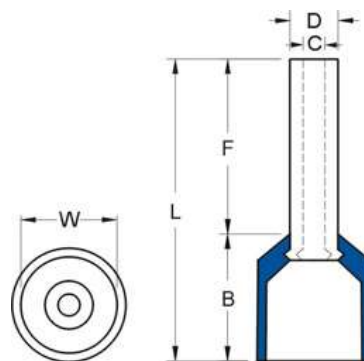
MAXIMUM ELECTRICAL RATING: 105°C 600 VOLTS MAX.

TERMINAL MATERIAL: COPPER TUBE

SURFACE TREATMENT: TIN PLATE

INSULATION MATERIAL: NYLON

INSULATION COLOR: BROWN



WIRE RANGE A.W.G. mm <sup>2</sup>	DIMENSION inch(mm)					
	F	L	W	B	D	C
4 A.W.G. 25 mm <sup>2</sup>	0.886 22	1.417 36	0.441 11.2	0.472 12	0.303 7.700	0.287 7.3