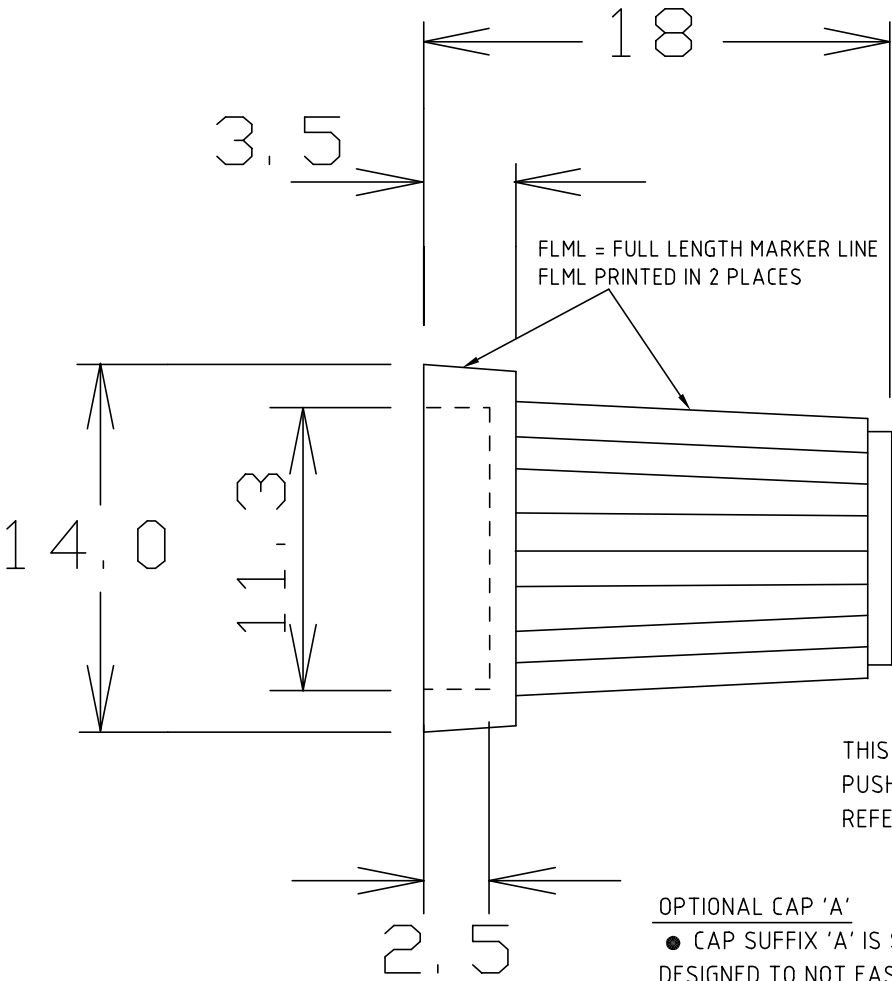
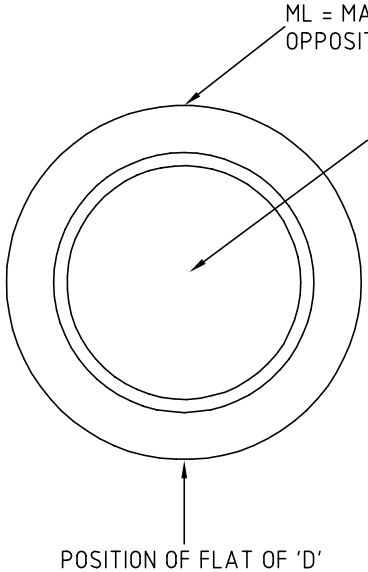


PART No.	DESCRIPTION
7296220,1722305	K85 BLACK 4mm D

ISS.	AMEND	DATE
1	1st DRAWN	14/08/91
2	'A' CAP ADD	28/07/93
3	CUSTOM NOTE	12/02/97
4	CL170976 WAS GREY1/4"D	16/04/13
5	CL170972 FLML ADD	16/05/13



THIS KNOB ONLY MADE FOR  
PUSH FIXING.  
REFER TO DATA FOR RSIZES.



CAP CAN BE PLACED IN ANY POSITION.  
CAP OPTIONS: PLAIN / DOT / MARKER LINE.  
CAP COLOURS: BLACK, WHITE, RED, BLUE, GREEN,  
YELLOW, GREY, ORANGE.  
PLEASE ENQUIRE FOR CUSTOM COLOURS OF CAPS  
AND MARKERS, SUBJECT TO MOQ.

**RoHS**  
COMPLIANT

**TOLERANCE**  
NO DEC. PLACE  $\pm 0.25$   
1 DEC. PLACE  $\pm 0.20$   
2 DEC. PLACE  $\pm$   
HOLE  $\varnothing \pm 0.10$   
ANGLES  $\pm 1/2^\circ$   
UNLESS  
OTHERWISE STATED



DIMENSIONS IN MILLIMETERS UNLESS OTHERWISE STATED. WORK TO DIMENSIONS. REMOVE ALL BURRS. IF IN DOUBT ASK.

3rd ANGLE PROJECTION:

DO NOT SCALE

MATERIAL: NYLON / ABS

TITLE: KNOB K85

FINISH: AS MOULDED - CLEAN

DRAWN: C.A.M.J.

APPROVED: R.W.T.

DRWG. No. 7296220 1722305

FORM: A4DRWGH