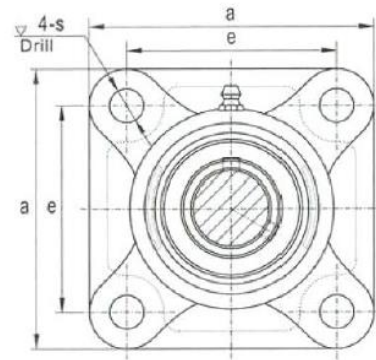
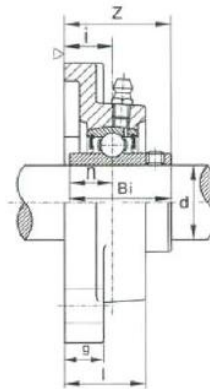


4 Bolt Flange Bearing unit - Metric



| RS Article no. | Bearing unit No. | Shaft Dia. d (mm) | Dimension (mm) | | | | | | | | | Bolt used (mm) | Bearing No. | Housing No. | Weight (kg) |
|----------------|------------------|-------------------------|----------------|-----|----|----|------|----|------|------|------|-------------------|-------------|-------------|-------------|
| | | | a | e | i | g | l | s | z | Bi | n | | | | |
| 7508762 | UCF201 | 12 | 86 | 64 | 15 | 12 | 25.5 | 12 | 33.3 | 31.0 | 12.7 | M10 | UC 201 | F 201 | 0.63 |
| 7508766 | UCF202 | 15 | 86 | 64 | 15 | 12 | 25.5 | 12 | 33.3 | 31.0 | 12.7 | M10 | UC 202 | F 202 | 0.63 |
| 7508775 | UCF203 | 17 | 86 | 64 | 15 | 12 | 25.5 | 12 | 33.3 | 31.0 | 12.7 | M10 | UC 203 | F 203 | 0.63 |
| 7508778 | UCF204 | 20 | 86 | 64 | 15 | 12 | 25.5 | 12 | 33.3 | 31.0 | 12.7 | M10 | UC 204 | F 204 | 0.63 |
| 7508781 | UCF205 | 25 | 95 | 70 | 16 | 14 | 27.0 | 12 | 35.7 | 34.0 | 14.3 | M10 | UC 205 | F 205 | 0.82 |
| 7508784 | UCF206 | 30 | 108 | 83 | 18 | 14 | 31.0 | 12 | 40.2 | 38.1 | 15.9 | M10 | UC 206 | F 206 | 1.1 |
| 7508788 | UCF207 | 35 | 117 | 92 | 19 | 16 | 34.0 | 14 | 44.4 | 42.9 | 17.5 | M12 | UC 207 | F 207 | 1.5 |
| 7508790 | UCF208 | 40 | 130 | 102 | 21 | 16 | 36.0 | 16 | 51.2 | 49.2 | 19.0 | M14 | UC 208 | F 208 | 1.9 |
| 7508794 | UCF209 | 45 | 137 | 105 | 22 | 18 | 38.0 | 16 | 52.2 | 49.2 | 19.0 | M14 | UC 209 | F 209 | 2.3 |
| 7508804 | UCF210 | 50 | 143 | 111 | 22 | 18 | 40.0 | 16 | 54.6 | 51.6 | 19.0 | M14 | UC 210 | F 210 | 2.5 |
| 7508801 | UCF211 | 55 | 162 | 130 | 25 | 20 | 43.0 | 19 | 58.4 | 55.6 | 22.2 | M16 | UC 211 | F 211 | 3.4 |
| 7508810 | UCF212 | 60 | 175 | 143 | 29 | 20 | 48.0 | 19 | 68.7 | 65.1 | 25.4 | M16 | UC 212 | F 212 | 4.4 |