

# Axial DC Fan

## Vapo Bearing, 60mm × 60mm × 20mm



### Mechanical Characteristics

Motor Design	: Single phase, 4-poles Brushless DC motor
Bearing System	: Vapo bearing system
Dimensions	: 60mm × 60mm × 20mm
Materials of Frame	: Thermoplastic PBT of UL94V-0
Materials of Fan Blade	: Thermoplastic PBT of UL94V-0
Direction of Rotation	: Counter-Clockwise viewed from front of fan blade
Mounting Holes	: Diameter 4.3mm in 4 Holes
Weight	: 50g

### Electrical Characteristics

Rated Voltage	: 24V DC
Rated Current	: 35mA / Max. 42mA
Rated Power Consumption	: 0.84W / Max. 1.01W
Safety Power Consumption	: 0.96W
Operating Voltage Range	: 8V DC to 27.6V DC
Starting Voltage	: 8V DC (25°C Power ON/OFF)
Operating Temperature Range	: -10°C to +70°C
Storage Temperature Range	: -40°C to +70°C

### Performance Characteristics

Rated Speed	: 4200 RPM ±15% at rated voltage
Air Flow	: 19 CFM
Static Pressure	: 0.16 Inch-H <sub>2</sub> O
Acoustic Noise	: 28 dB(A)
Insulation Class	: UL Class A
Insulation Resistance Plastic Housing	: 10MΩ @ 500V DC between Internal Stator and Lead Wire (+)
Dielectric Strength	: Applied AC 500V for one minute or AC 600V for 2 Seconds between Housing and Lead Wire (+)
Life Expectancy	: 60,000 hours @ 40°C, 65% humidity, 90% CL
Protection	: Automatic Restart Note: In a situation where the fan is locked by an external force while the electricity is on, an increase in coil temperature will be prevented by temporarily turning off the electrical power to the motor. The fan will automatically restart when the locked rotor condition is released. Polarity Protection

### Safety

UL	CUR	TUV	CE
E77551	E77551	✓	✓

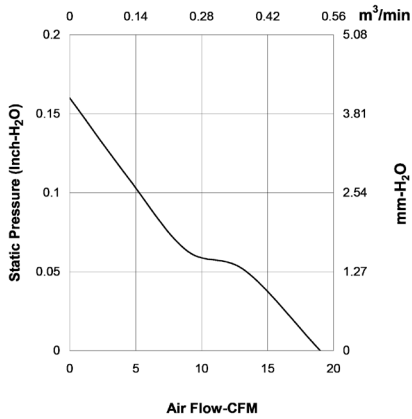


# Axial DC Fan

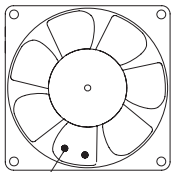
## Vapo Bearing, 60mm × 60mm × 20mm



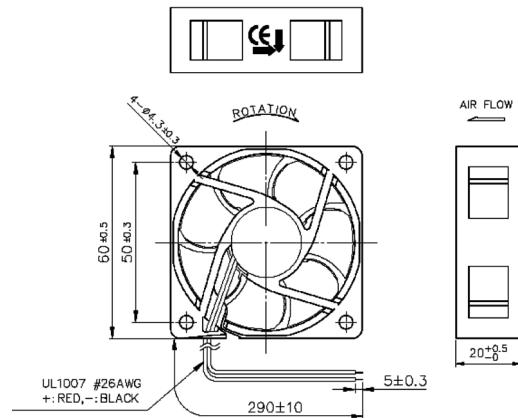
### Performance Curve



### Dimensions



Note: The glues on the impeller is for impeller balance. Please don't remove it.



Dimensions : Millimetres

### Part Number Table

Description	Dimensions	Part Number
Axial DC Fan, 24V, Vapo, 4200 RPM, 2 Wires	60mm×60mm×20mm	MC011529

**Important Notice :** This data sheet and its contents (the "Information") belong to the members of the AVNET group of companies (the "Group") or are licensed to it. No licence is granted for the use of it other than for information purposes in connection with the products to which it relates. No licence of any intellectual property rights is granted. The Information is subject to change without notice and replaces all data sheets previously supplied. The Information supplied is believed to be accurate but the Group assumes no responsibility for its accuracy or completeness, any error in or omission from it or for any use made of it. Users of this data sheet should check for themselves the Information and the suitability of the products for their purpose and not make any assumptions based on information included or omitted. Liability for loss or damage resulting from any reliance on the Information or use of it (including liability resulting from negligence or where the Group was aware of the possibility of such loss or damage arising) is excluded. This will not operate to limit or restrict the Group's liability for death or personal injury resulting from its negligence. Multicomp is the registered trademark of Premier Farnell Limited 2019.

Newark.com/exclusive-brands  
 Farnell.com/exclusive-brands  
 Element14.com/exclusive-brands

