



Datasheet

RS PRO Hermetically Sealed Enclosures

Stock number: 1862282

EN

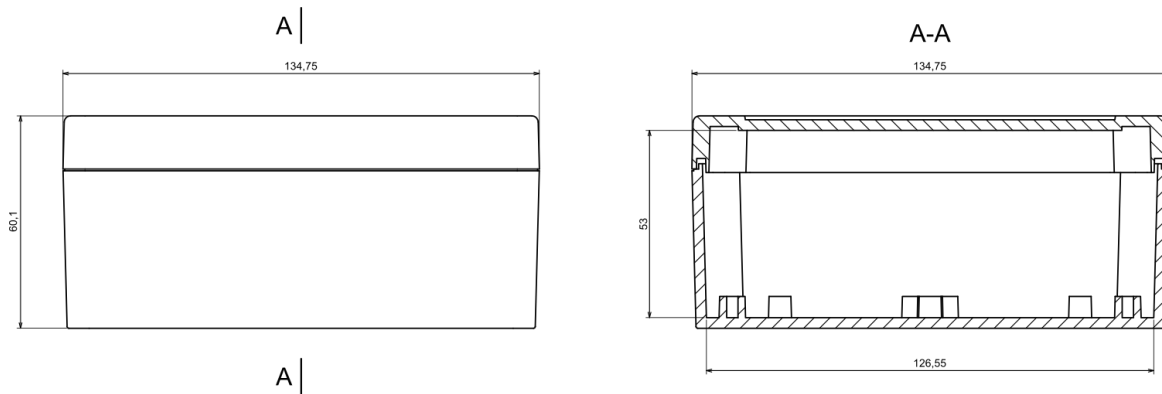


Product Details

Hermetic enclosure ideal for applications requiring protection against water ingress. The enclosure is manufactured with polyurethane gasket that provides IP67 rating. Lid manufactured with recess for membrane keypads and overlays. Threaded brass inserts ensures reliable assembly of the enclosure.

Features and Benefits

- Made of PC
- Available in light gray color
- Protection against liquids and solid objects: IP67 rating
- Protection against mechanical impacts: IK07 rating
- Supplied with silicon gasket and four screws
- Lid with recess for keypads and overlays
- Threaded brass inserts for reliable assembly.



Category	Hermetically sealed Enclosures
Type	Full
Material	PC
Variant	Hermetic (with polyurethane gascet) (S)
Height	60.0 mm
Width	135.0 mm
Length	135.0 mm
Color	Lightgray (J)
Protection level	IP67
Shock protection level	IK07
Standard Met	RoHS Compliant
Accessories	Screw M3/20: 4 pcs
Certificate number	CE/001/19



