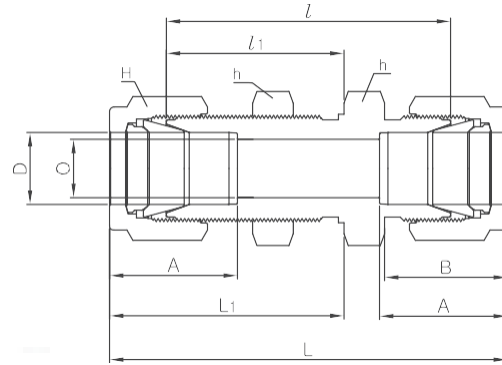
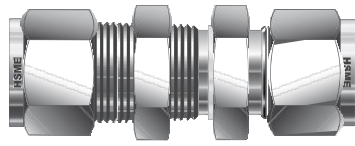


## Bulkhead Union

### AUB



Connects fractional tube

Part No.	Tube O.D. D		O Min.	Width Across Flat				A	B	I	I1	L	L1	Panel Hole Drill Size	Panel Max Thickness
	in	mm		h		H									
				In	mm	in	mm								
AUB-1	1/16	1.59	1.27	5/16	7.93	5/16	7.93	8.63	10.92	23.87	13.46	31.50	17.27	5.16	3.05
AUB-2	1/8	3.17	2.28	1/2	12.70	7/16	11.11	12.70	15.24	38.10	24.63	51.30	31.24	8.33	12.70
AUB-3	3/16	4.76	3.04	9/16	14.28	1/2	12.70	13.71	16.00	40.38	25.40	53.59	32.00	9.92	12.70
AUB-4	1/4	6.35	4.82	5/8	15.87	9/16	14.28	15.24	17.78	42.92	26.16	57.65	33.52	11.50	10.16
AUB-5	5/16	7.93	6.35	11/16	17.46	5/8	15.87	16.25	18.54	45.97	28.44	60.70	35.81	13.09	11.17
AUB-6	3/8	9.52	7.11	3/4	19.05	11/16	17.46	16.76	19.30	47.49	29.46	62.23	36.83	14.68	11.17
AUB-8	1/2	12.70	10.41	15/16	23.81	7/8	22.22	22.86	21.84	50.80	31.75	71.12	41.91	19.44	12.70
AUB-10	5/8	15.87	12.70	1-1/16	26.98	1	25.40	24.38	21.84	52.32	32.51	72.64	42.67	22.62	12.70
AUB-12	3/4	19.05	15.74	1-3/16	30.16	1-1/8	28.58	24.38	21.84	58.67	37.33	78.99	47.49	25.79	16.76
AUB-14	7/8	22.22	18.28	1-3/8	34.92	1-1/4	31.75	25.90	21.84	64.26	42.92	84.58	53.08	28.97	19.05
AUB-16	1	25.40	22.35	1-5/8	41.27	1-1/2	38.10	31.24	26.41	71.37	45.21	95.75	57.40	33.73	19.05
AUB-20	1-1/4	31.75	27.68	1-7/8	47.63	1-7/8	47.63	41.14	38.86	78.99	47.75	123.19	69.85	41.67	19.05
AUB-24	1-1/2	38.10	34.03	2-1/4	57.15	2-1/4	57.15	50.03	45.21	84.83	49.27	139.19	76.45	49.61	19.05
AUB-32	2	50.80	45.97	2-3/4	69.85	3	76.20	67.56	62.73	105.66	56.38	180.34	93.72	57.94	19.05

Connects metric tube

Part No.	Tube O.D. D	O Min	Width Across Flat		A	B	I	I1	L	L1	Panel Hole Drill Size	Panel Max Thickness
			h	H								
AUB-3M	3	2.4	14.0	12	12.9	15.3	38.1	24.6	51.3	31.2	8.3	12.7
AUB-4M	4	2.4	14.0	12	13.7	16.1	40.4	25.4	53.6	32.0	9.9	12.7
AUB-6M	6	4.8	16.0	14	15.3	17.7	42.9	26.2	57.7	33.6	11.5	10.2
AUB-8M	8	6.4	18.0	16	16.2	18.6	46.0	28.6	61.0	36.1	13.1	11.2
AUB-10M	10	7.9	22.0	19	17.2	19.5	48.5	29.4	63.7	37.0	16.2	11.2
AUB-12M	12	9.5	24.0	22	22.8	22.0	50.8	31.8	71.0	41.9	19.5	12.7
AUB-15M	15	11.9	27.0	25	24.4	22.0	52.3	32.5	72.5	42.6	22.8	12.7
AUB-16M	16	12.7	27.0	25	24.4	22.0	52.3	32.5	72.5	42.6	22.8	12.7
AUB-18M	18	15.1	30.0	30	24.4	22.0	58.7	37.3	78.9	47.4	26.0	16.8
AUB-20M	20	15.9	35.0	32	26.0	22.0	64.3	42.9	84.5	53.0	29.0	17.0
AUB-22M	22	18.3	35.0	32	26.0	22.0	64.3	42.9	84.5	53.0	29.0	19.1
AUB-25M	25	21.8	41.3	38	31.3	26.5	71.4	45.2	95.9	57.5	33.7	19.1
AUB-32M	32	28.6	50.0	50	42.0	41.6	82.3	49.5	128.3	72.5	42.5	19.0
AUB-38M	38	33.7	60.0	60	49.4	47.9	89.4	51.5	144.6	79.1	50.5	19.0