

## FEATURES

- Rated currents from 65A
- General purpose four-wire filtering
- Voltage rating 300 and 520VAC for world wide acceptance

## RS PRO Power Line Filters

RS Stock No.: 2378769, 2378770



RS Professionally Approved Products bring to you professional quality parts across all product categories. Our product range has been tested by engineers and provides a comparable quality to the leading brands without paying a premium price.

### Product Description

- Mainframe computer systems
- High power office equipment
  - UPS/SMPS
  - Automation equipment

### General Specifications

Protection against interference of voltage.  
 Used as a main input filter, YX91 filters can keep the system reliable by restrain the conducted interference.  
 Customized products according to customer's requirements

### Mechanical Specifications

size 260X170X100mm (L X W X H)  
 weight 25kgs

### Electrical Specifications

Rated Voltage Max. 300/520VAC,50/60Hz  
 Operating frequency 50/60Hz  
 Rated currents 65A@50°C  
 Hipot Rating L-N: 1600VDC, L/N-G: 4000VDC

### Protection Category

*according to IEC 60529 IP40*

### Classification

*eCl@ss (Version)*  
*UNSPSC (Version)*

**Approvals**

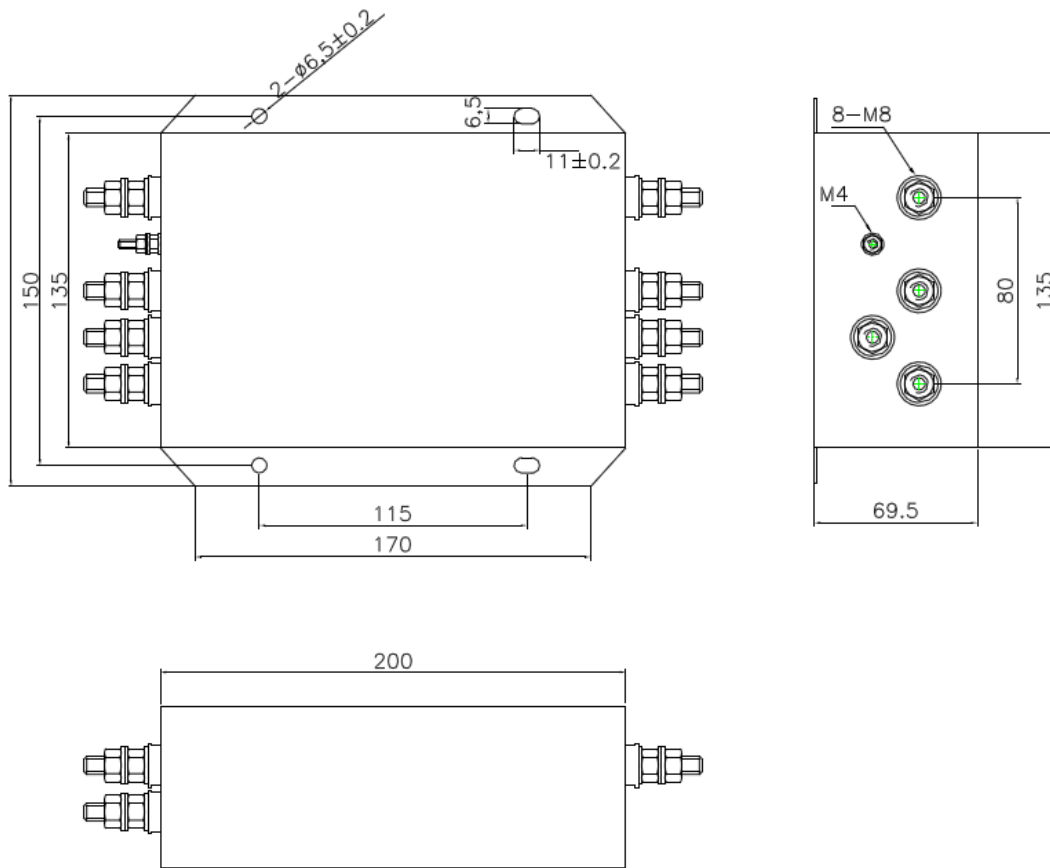
Declarations	CUL;TUV;CE
Hazardous Area Certification	
Standards Met	UL1283, CSA C22.2 No.8; IEC/EN 60939,;

**Similar Products**

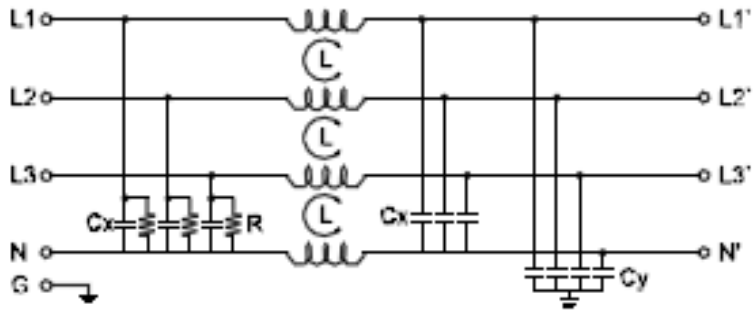
Stock No.	Brand	Product Name	Attribute 1	Attribute 2	Attribute 3
2378767, 2378768	2629934 / 1705037				
2378769, 2378770	7662658				

Connection Diagrams / Assembly Diagrams / Illustrations / Accessories

**Physical Dimensions:**



**Electrical Schematic:**



**Insertion loss table(In 50ohm system according IEC/CISPR No.17)**

———— Common mode      - - - - - Differential mode

65A

