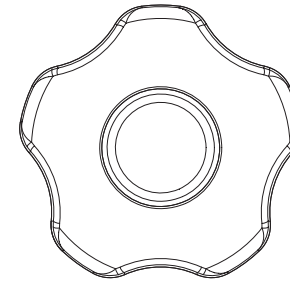
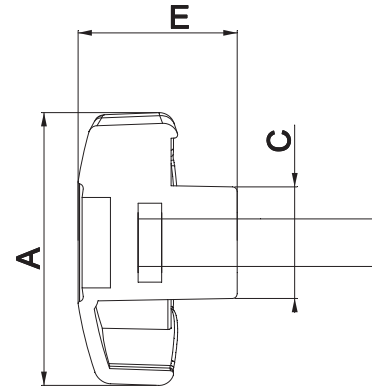
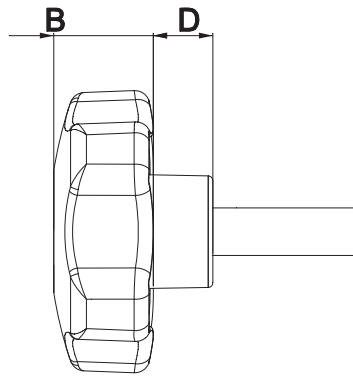


# MALE



RS Part No	thread/length	A	B	C	D	E	INSERT MAT.
7027579	M6 x 20	28	16	14	9	25	ZPS
7027572	M6 x 25	40	17	18	12	29	ZPS
7027576	M8 x 20	40	17	18	12	29	ZPS
7027585	M8 x 30	40	17	18	12	29	ZPS
7027588	M8 x 25	50	19	21	12	31	ZPS
7027582	M10 x 25	60	21	21	13	34	ZPS
7027591	M12 x 30	60	21	21	13	34	ZPS
7027627	M6 x 15	28	16	14	9	25	S/S
7027636	M6 x 20	28	16	14	9	25	S/S
7027639	M6 x 25	40	17	18	12	29	S/S
7027633	M8 x 20	40	17	18	12	29	S/S
7027642	M8 x 30	40	17	18	12	29	S/S
7027645	M8 x 25	50	17	18	12	29	S/S
7027649	M10 x 25	60	21	21	13	34	S/S
7027658	M12 x 30	60	21	21	13	34	S/S

## MALE STAR KNOBS REV.2

DATE:  
06/04/10

TITLE:

FINISH:

MATERIAL:  
POLYPROPYLENE

DWG NO.

5S-60 N

A3

SCALE:1:1

SHEET 1 OF 1

DO NOT SCALE DRAWING / THIRD ANGLE PROJECTION