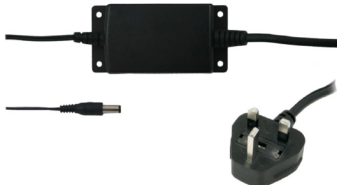


12W AC-DC Installation Power Supply

12V DC, 1A

multicomp PRO

**RoHS
Compliant**



Features

- Level VI
- Universal / Full range AC input
- Fixed AC mains lead (UK plug)
- Class II power (no earth)
- Small & Compact design

Description

This 12 Watt AC/DC Installation Power supplies are offered in a low profile compact enclosure with 4 mounting tabs, a fixed AC Input Cable and DC Output Cable, Single output voltage between 5V DC – 24V DC. These highly reliable power supplies can be used in many indoor applications such as CCTV, Access control and Building Management Systems.

Specifications

Voltage	12V DC
Current Max	1A
Power	12W
Line Regulation	±5%
Ripple & Noise	150mV
Protections	Over Voltage, Over Load, Short Circuit
Case Size	93.7mm (L) × 47.5mm (W) × 26.5mm (H)
Weight	250g
DC Cord	1.5m
DC Plug	Straight 2.1 C+ve
Rated Input Voltage	100 to 240V AC
Full Input Voltage Range	90 to 264V AC
Full Frequency Range	47Hz to 63Hz
Efficiency	82.96% Min. (CEC & DOE Level VI Compliant) 83.26% Min. (ErP Tier2 Compliant)
Input Current RMS Max	500mA
Inrush Current	No Damage
Leakage Current	<0.25mA
Input Power (No Load)	<0.1W (CEC & DOE Level VI Compliant) <0.075W (ErP Tier2 Compliant)
AC Mains Lead	1.8m UK plug
Hi-Pot	3000V AC 10mA 1Min.
Operating Temperature	0°C to +40°C
Storage Temperature	-10°C to +70°C
Operating Humidity	20% to 80%
Storage Humidity	10% to 90%
Safety Approvals	GS & CE
EMI Standards	FCC Class B, CE & VCCI-II
MTBF	50K

Newark.com/multicomp-pro
Farnell.com/multicomp-pro
Element14.com/multicomp-pro

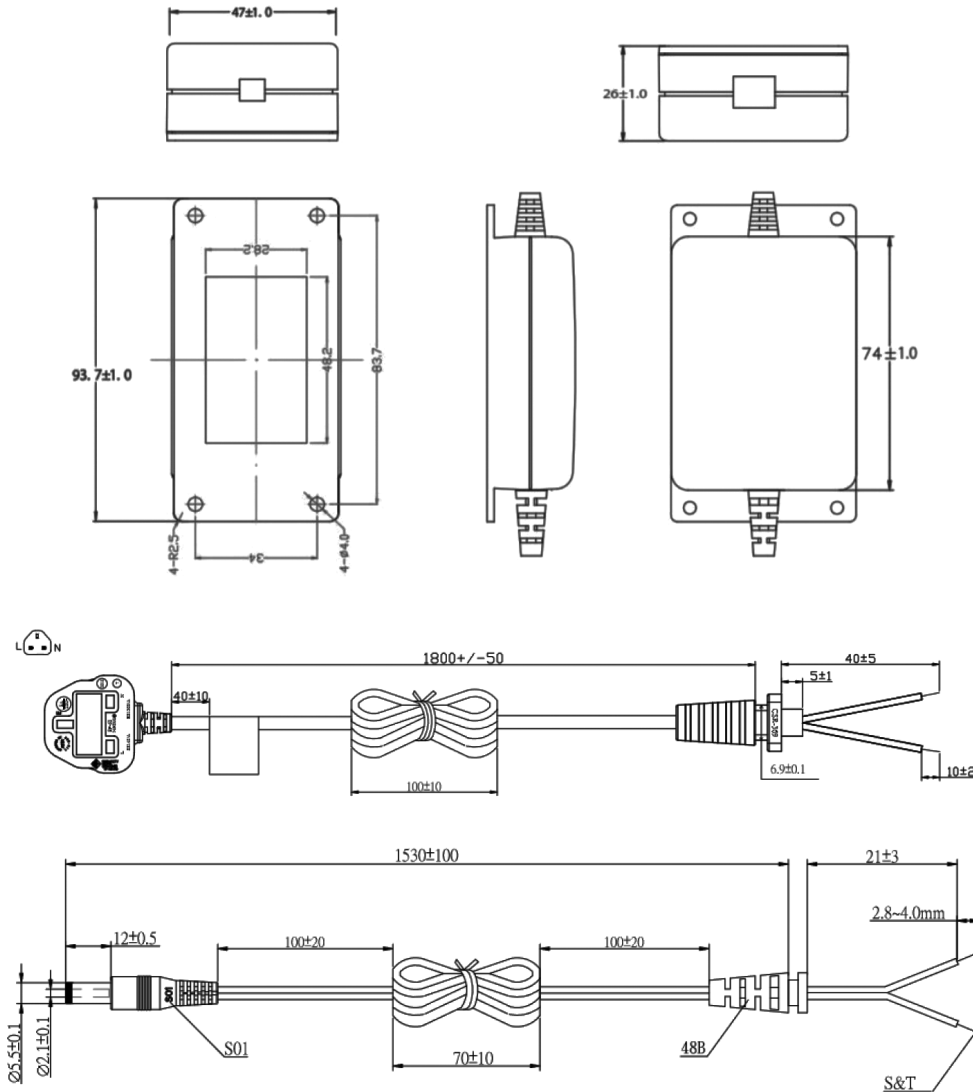
multicomp PRO

12W AC-DC Installation Power Supply

12V DC, 1A

multicomp PRO

Diagram



Dimensions : Millimetres

Part Number Table

Description	Part Number
Installation Power Supply, 12W, 12V DC, 1A, UK Plug	MP001984

Important Notice : This data sheet and its contents (the "Information") belong to the members of the AVNET group of companies (the "Group") or are licensed to it. No licence is granted for the use of it other than for information purposes in connection with the products to which it relates. No licence of any intellectual property rights is granted. The Information is subject to change without notice and replaces all data sheets previously supplied. The Information supplied is believed to be accurate but the Group assumes no responsibility for its accuracy or completeness, any error in or omission from it or for any use made of it. Users of this data sheet should check for themselves the Information and the suitability of the products for their purpose and not make any assumptions based on information included or omitted. Liability for loss or damage resulting from any reliance on the Information or use of it (including liability resulting from negligence or where the Group was aware of the possibility of such loss or damage arising) is excluded. This will not operate to limit or restrict the Group's liability for death or personal injury resulting from its negligence. Multicomp Pro is the registered trademark of Premier Farnell Limited 2019.

Newark.com/multicomp-pro
Farnell.com/multicomp-pro
Element14.com/multicomp-pro

multicomp PRO