



ENGLISH

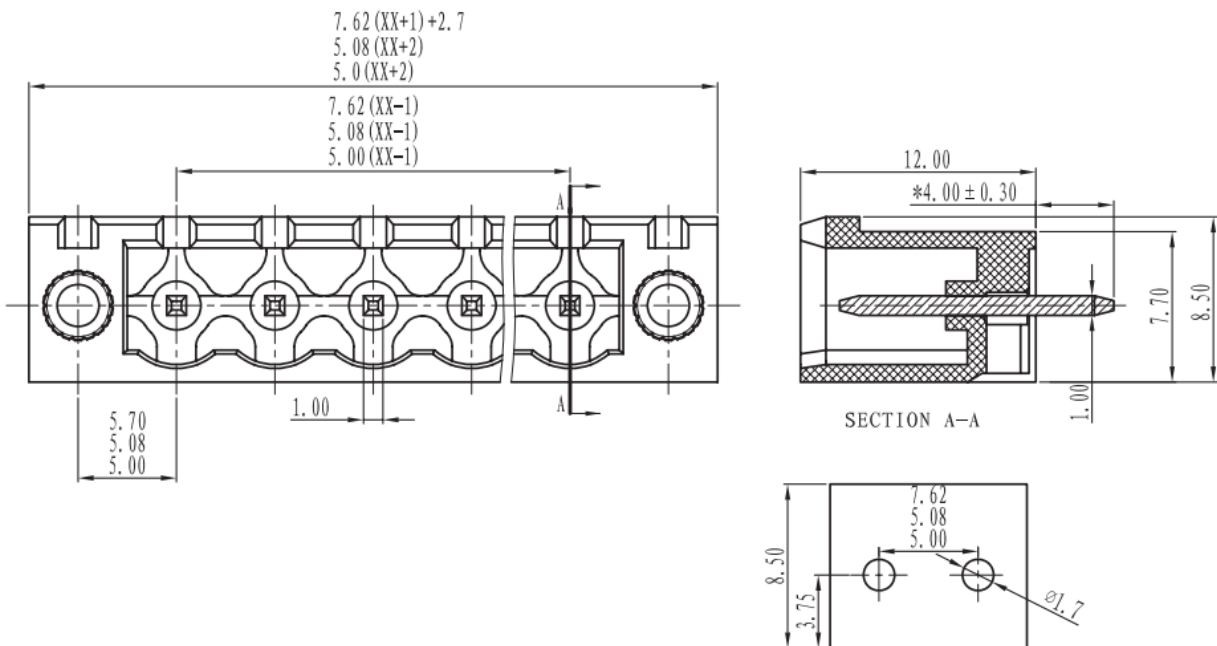
Datasheet

New 5.0mm Header Horizontal with Flanges 15A

RS Stock 874-4981



Dimensions: (mm)





Specifications

Electrical

Standard: UL IEC
 Rated voltage: 300V 320V
 Rated current: 15A 20A
 Contact resistance: 20mΩ
 Withstanding voltage: AC2000V/1Min
 Insulation resistance: 500MΩ/DC500V

Mechanical

Temp.Range: -40° C~+105° C
 MAX Soldering: +250° C, for 5 Sec

Dimensions

Pitch: 5.00mm, 5.08mm, 7.62mm
 Poles: 2P-24P

Material

Housing: PA66, UL94V-0
 Pin header: Brass, Tin plated
 Nut: M2.5 Brass

Tolerances Except As Noted

| | linear dimension | | | | | fillet | chamfer | | ∠ short angle sid | | | | ≡ | — | □ | // | ⊥ |
|----------------|------------------|--------------|----------------|-----------------|-------------|--------|---------|-----------|-------------------|---------------|----------------|-------------|-----|-------|--------------|----------------|-------------|
| | to | over | over | over | over | | to | over | to | to | to | to | | | | | |
| variable range | to 6 | over 6 to 30 | over 30 to 120 | over 120 to 480 | over 480 to | all | to 6 | over 6 to | to 10 | over 10 to 50 | over 50 to 120 | over 120 to | all | to 5 | over 5 to 30 | over 30 to 120 | over 120 to |
| tolerance | ±0.1 | ±0.2 | ±0.3 | ±0.5 | ±0.9 | ±0.2 | ±0.5 | ±1 | 1' | 30' | 20' | 10' | 0.5 | 0.025 | 0.06 | 0.12 | 0.4 |