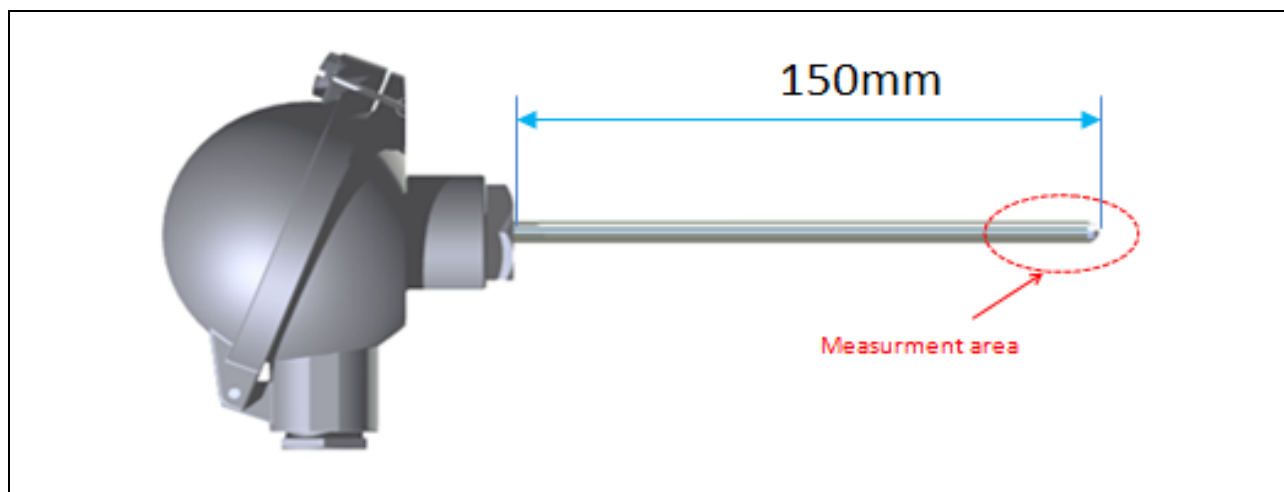


Data sheet

CSOT6

ENGLISH

RS Stock No.547-7607



RANGE :

- -50 /250°C

USE :

- Universal

KEY POINT :

- Small and high accuracy

SPECIFICATIONS :

- PT100Ω probe B Class – 1x3 wires
- Ceramic terminal block BLS3 type
- NA 12 Aluminium whit painting epoxy IP 54

DIMENSIONS :

- Sheath length = 150mm
- Thermic element diameter = 6mm

METROLOGICAL DATA :

- As per IEC 751
- Standard tolerance PT100 B class : $\pm 0.30 + 0.005 \cdot [t^{\circ}c]$

Other type:

Diameter		6mm
Length		
150mm	547-7607	
250mm	547-7562	