

Door Latches

Features

- Flush fitting paddle latch
- Spring loaded
- Manufactured from black polyester powder-coated steel with a zinc-plated steel tongue
- Key lockable with a spring-loaded keyway shutter
- Keyed alike and supplied with two keys

RS PRO Steel, Lockable, Spring-Loaded Paddle Latch, 127 x 101.5 x 52.5 mm

RS Stock No: 136-3610



RS PRO Professionally Approved Products bring to you professional quality parts across all product categories. Our product range has been tested by engineers and provides a comparable quality to the leading brands without paying a premium price.

Door Latches

Product Description

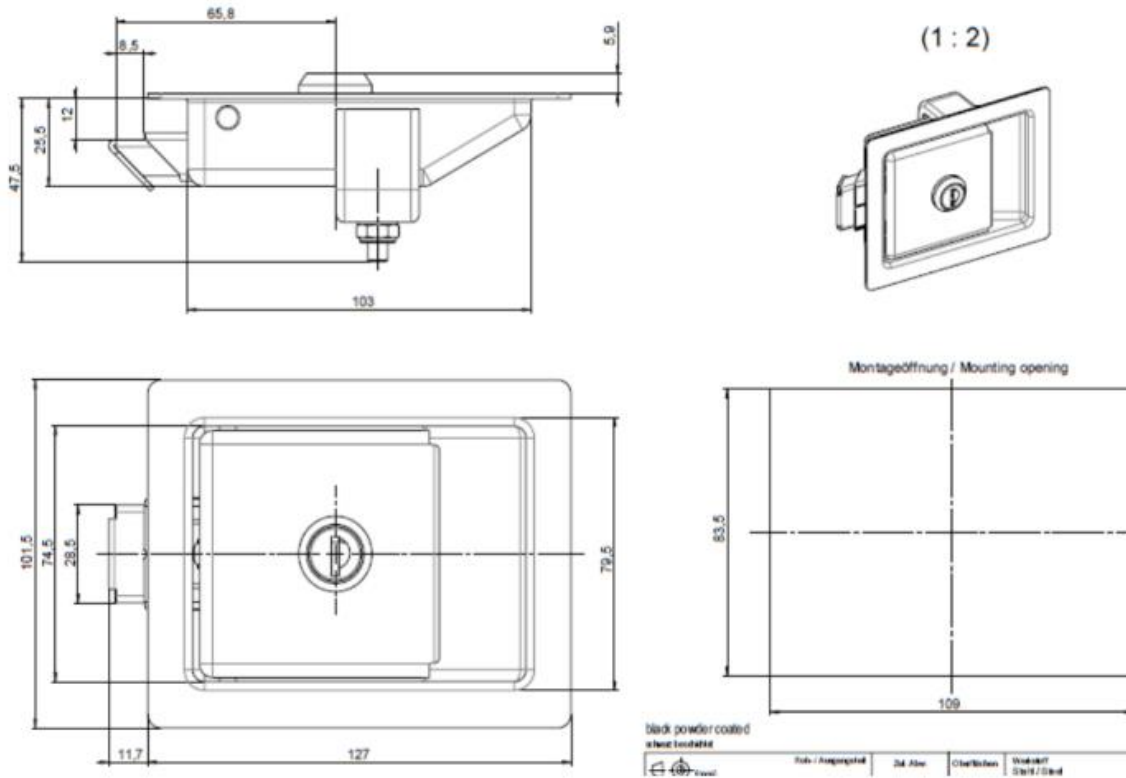
If you are looking for a paddle latch solution, then consider the options we have available for you from the trusted brand RS PRO. Our paddle locks are made from high-quality steel with black polyester powder coating and offer a flush fitting which minimises the risk of damage to the latch.

These paddle locks are compatible with enclosures and doors and have a spring-loaded action which ensures the latch remains flush when unlatched. For added security, they are lockable with a spring-loaded keyway shutter. Keyed alike and supplied with two keys.

General Specifications

Type	Paddle Latch
Finish	Black Powder Coating
Material	Steel
Spring Loaded	Yes
Lockable	Yes
Dimensions	127 x 101.5 x 52.5 mm
Weight	1.046 Kg

Door Latches



Similar Products

Stock No.	Brand	Product Name	Dimensions
136-3621	RS PRO	RS PRO Steel, Lockable, Spring - Loaded Paddle Latch	84 x 68 x 41mm
136-3622	RS PRO	RS PRO Steel, Lockable, Spring-Loaded Paddle Latch	127 x 101.5 x 52.5 mm