

FEATURES

- 12VDC Supply Voltage
- Sintered bronze bearings
- Spur gear head
- All ratios with 4mm output shaft RE280, RE280/1 and RE280/5 motors available
- Maximum 2° no load backlash

RS PRO, 12 V dc, 15 Ncm, Brushed DC Geared Motor, Output Speed 8 rpm

RS Stock No.: 420-647



RS Professionally Approved Products bring to you professional quality parts across all product categories. Our product range has been tested by engineers and provides a comparable quality to the leading brands without paying a premium price.

Product Description

This miniature gearbox is of steel and brass construction with brass gears and is mounted on a 1mm thickness steel bracket. It incorporates high quality three pole motor with sleeved bearings. The design and construction of the unit make it suitable for a host of model and light industrial applications

General Specifications

DC Motor Type	Brushed
Output Speed (No Load)	8rpm
Gearhead Type	Spur
Application	Power tools, Water pumps, Camera Systems, Adjusting devices, Robotics, Fans

Electrical Specifications

Power Rating	1.31W
Supply Voltage	12VDC
Current Rating (No Load)	190mA
Maximum Output Torque	1500g.cm

Reduction Table RPM Supply Voltage	6V	12V	18V	24V
Speed	4rpm	8rpm	97rpm	129rpm

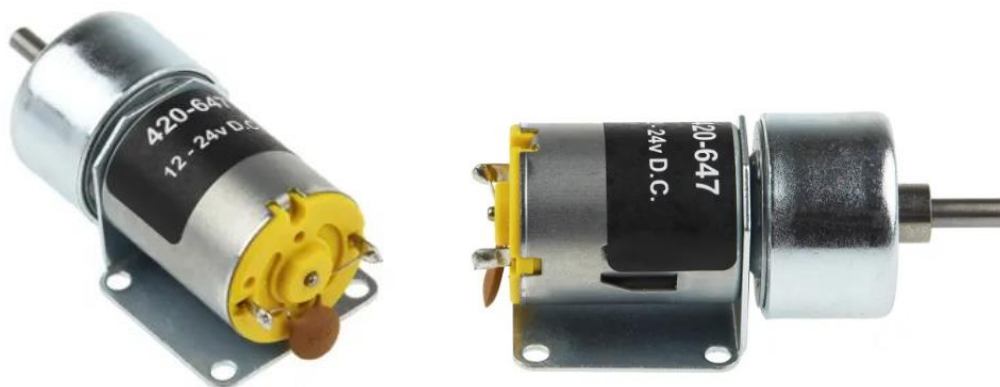
Mechanical Specifications

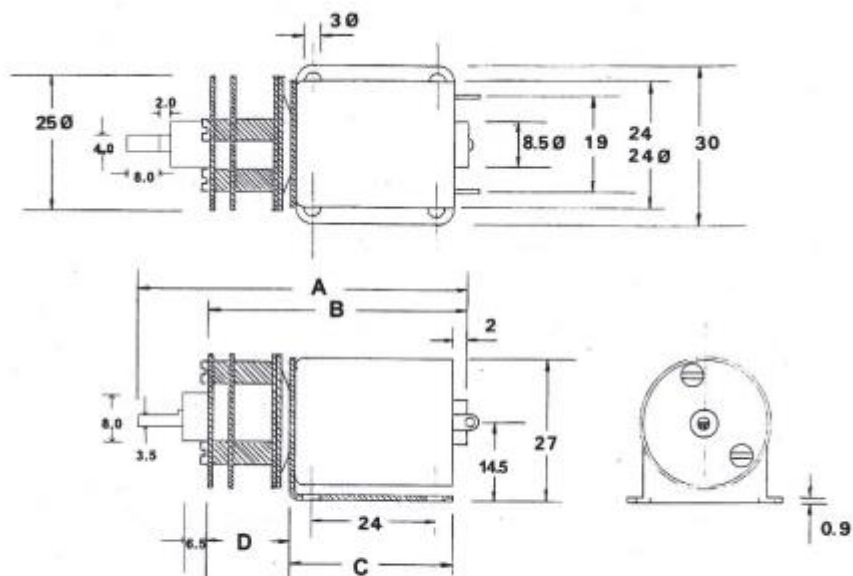
Shaft Diameter	6mm
Core Construction	Iron Core
Length	53.7mm
Width	27mm
Weight	89g

Gearbox Housing Material	Metal
Backlash at No-Load	< 2°
Bearing at Output	Sleeve bearings
Radial Load (10mm from flange)	< 0.3kgf
Shaft Axial Load	< 0.2kgf
Shaft Press Fit Force Max.	< 2kgf
Radial Play of Shaft	< 0.05mm
Thrust Play of Shaft	< 0.3mm

Approvals

Compliance/Certifications	2011/65/EU and 2015/863
Standards Met	ANSI/ESD S20.20:2014 and BS EN 61340-5-1:2007





Operating relative humidity 20% ~ 85%
 Operating temperature range -10°C ~ +60°C

Ratio	A	B	C	D
1024:1	69.5mm	53.3mm	33.5mm	19.3mm