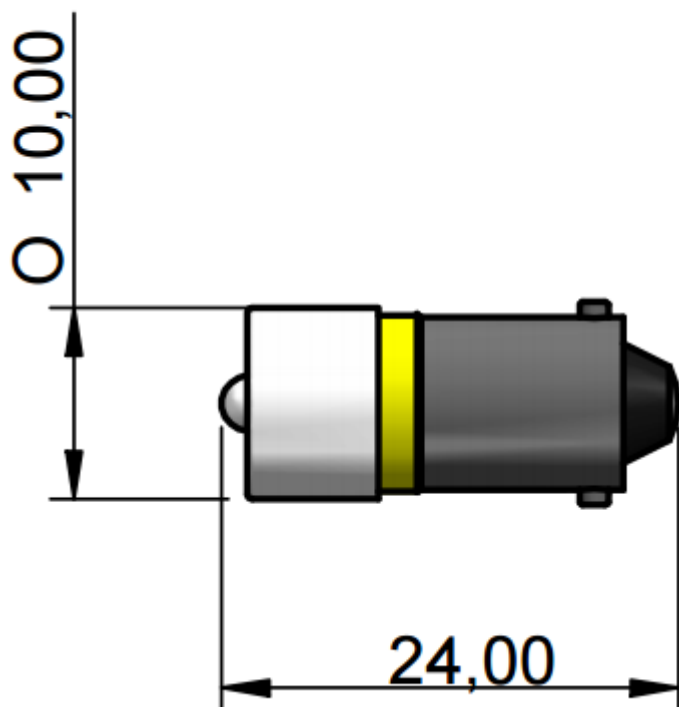


# Datasheet

## LED Indicator Lamp

RS ITEM NO 207-551



LED/Multiled	LED	Optimum voltage (V)	6Vac/dc	Intensity	630mcd
Mounting Size	10x25mm	Rectifier	Half Wave		
Mounting Finish		AC current	9mA		
Protection		DC current	17mA (max)		
Mount Holder	Ba9s	Voltage Tolerance(%)	10%		
Chip Qty	1	Optimum temperature (°C)	-30°C...+60°C		
Indicator colour	Yellow	Storage temperature (°C)	-30°C...+60°C		
Wavelength (nm)	587	Contact Tab x 2	Ba9s Cap		



Dimension in mm (typical), not to scale.  
We reserve the right to make changes without further notice to this product to improve reliability, function or design.