

## Datasheet

# RS PRO VINYL SLEEVE

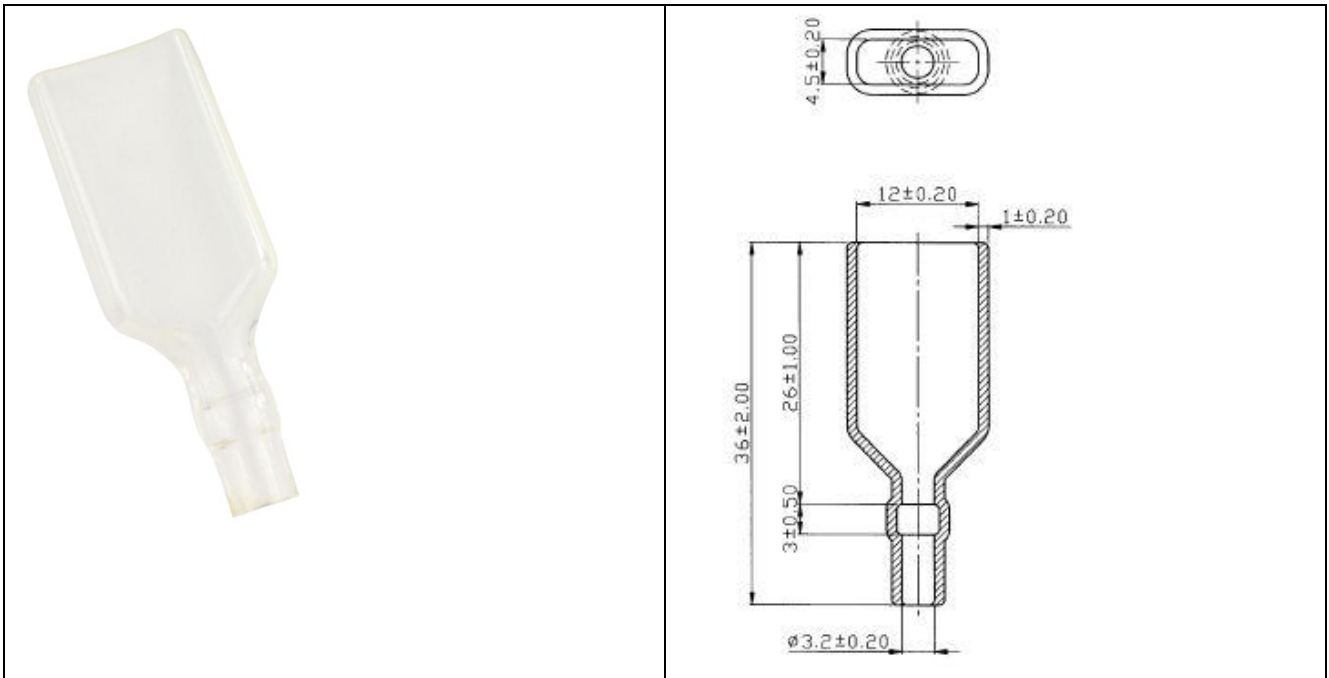
Stock number: 178-7170

MATERIAL: PVC

TEMPERATURE RANGE: UNDER 80 ° C

MELTING: 160 ° C

MAX. VOLTAGE: 500V



**MATCHING:** TAB 0.250" (6.35MM) OPEN BARREL FEMALE DISCONNECTORS (178-7176,178-7177,178-7178)

