

MAX16161/MAX16162

nanoPower Supply Supervisors with Glitch-Free Power-Up

General Description

The MAX16161/MAX16162 are ultra-low current, single-channel supervisory ICs. The devices monitor the power supply voltage and assert a reset when the input voltage falls below the reset threshold. After the monitoring voltage rises above the factory-set threshold voltage (V_{TH}), the reset output remains asserted for the reset timeout period and then deasserts, allowing the target microcontroller or microprocessor to leave the reset state and begin operating.

Unlike conventional supervisors, which are unable to control the reset output state when V_{CC} is very low, the MAX16161/MAX16162 reset output is guaranteed to remain asserted until after a valid V_{CC} is achieved. This is especially important to avoid low-voltage cores leaving the reset state during power-up or power-down. This also improves performance when using the MAX16161/MAX16162 as simple power supply sequencers, because the devices will never cause a transient enable of a downstream power supply due to output glitches.

The MAX16161 features a manual reset (MR) input that asserts a reset when it receives an appropriate input signal, which may be either active-low or active-high, depending on the option. The MAX16162 has no MR input. Instead, it has separate V_{CC} and V_{IN} pins, allowing threshold voltages as low as 0.6V. The reset output is active-low open-drain, and the MAX16161/MAX16162 offer multiple available reset timeout period options.

The MAX16161/MAX16162 are specified over the -40°C to $+125^{\circ}\text{C}$ temperature range and are available in tiny, 1.06mm x 0.73mm, 4-bump WLP and 4-pin SOT23 packages.

Applications

- Low-Voltage Microcontrollers and Microprocessors
- Portable/Battery-Powered Equipment
- e-Readers/Tablets
- Wearable/Portable Accessories
- Smart Phones

Benefits and Features

- No Powerup Glitch: (See [Reliable Supervisor for Low-Voltage Processor Cores](#))
- 825nA (typ) Quiescent Current Extends Battery Life
- Positive and Negative Level-Triggered MR Input Options (MAX16161)
- MR Debounce Circuitry (MAX16161)
- Separate V_{CC} and V_{IN} Inputs (MAX16162)
- Multiple Available Reset Timeout Periods
- Threshold Voltage Options
 - 1.7V to 4.85V (MAX16161)
 - 0.6V to 4.85V (MAX16162)
- 4-Bump WLP and 4-Pin SOT23 Packages
- -40°C to $+125^{\circ}\text{C}$ Operating Temperature Range

Typical Application Circuit

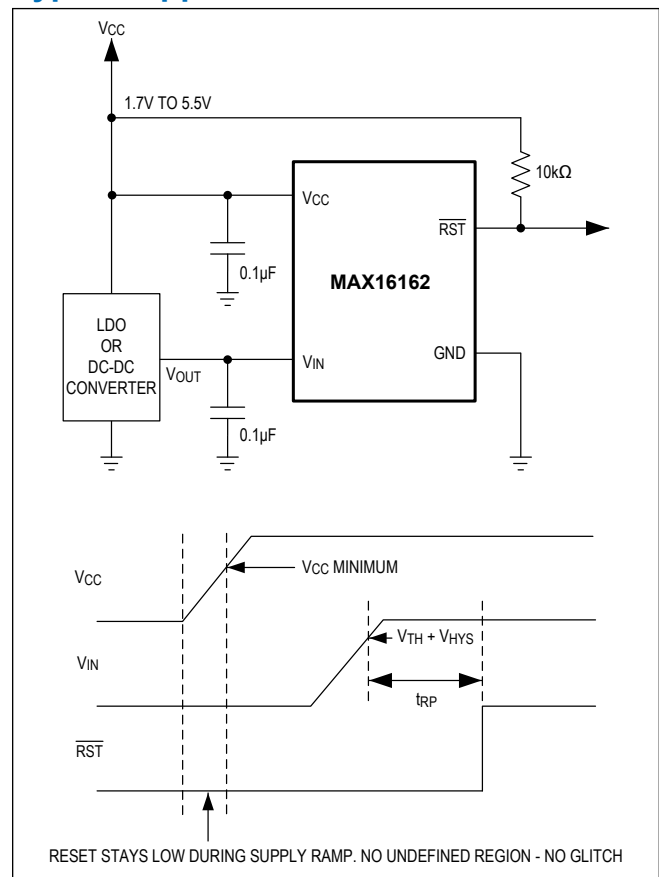


TABLE OF CONTENTS

General Description	1
Applications	1
Benefits and Features	1
Typical Application Circuit	1
Absolute Maximum Ratings	5
Package Information	5
WLP	5
SOT23	5
Electrical Characteristics	5
Typical Operating Characteristics	7
Pin Configurations	10
MAX16161 4-Bump WLP	10
MAX16161 4-Pin SOT23	10
MAX16162 4-Bump WLP	10
MAX16162 4-Pin SOT23	10
Pin Description	11
Functional Diagrams	11
Detailed Description	12
MAX16161 V_{CC} Threshold	12
MAX16161 Manual Reset Input	12
Manual Reset Input Configurations	12
MAX16162 V_{IN} Threshold	13
Reset Output	13
Glitch-Free Power-Up/-Down	13
Applications Information	14
Power Supply Bypassing and Grounding	14
Configuration Tables	14
Selector Guide	16
Typical Application Circuits	17
Typical Application Circuit	17
Reliable Supervisor for Low-Voltage Processor Cores	17
Simple Power Supply Sequencer	18
Ordering Information	18
Revision History	19

LIST OF FIGURES

Figure 1. Active-Low Reset Response to V_{CC} Falling and Rising Edges	12
Figure 2. Active-High-Triggered Manual Reset Input Behavior	12
Figure 3. Active-Low-Triggered Manual Reset Input Behavior	13
Figure 4. Power Supply Bypassing/Input Filter	14
Figure 5. Selector Guide	16
Figure 6. Typical Application Circuit (MAX16161)	17
Figure 7. Low-Voltage Processor Core Application (MAX16162)	17
Figure 8. MAX16161 as a Simple Power Supply Sequencer	18

LIST OF TABLES

Table 1. Reset Timeout Period Options 14
Table 2. Manual Reset Input Options 14
Table 3. Threshold Voltage Options 15

Absolute Maximum Ratings

V_{CC} to GND.....	-0.3V to +6V	Continuous Power Dissipation (Multilayer Board) ($T_A = +70^\circ\text{C}$, SOT23 (derate 3.40mW/ $^\circ\text{C}$ above $+70^\circ\text{C}$))	275.90mW
MR, RST to GND.....	-0.3V to +6V	Operating Temperature Range	-40°C to $+125^\circ\text{C}$
Continuous Sink/Source Current (All Pins)	-20mA to +20mA	Junction Temperature	$+150^\circ\text{C}$
Continuous Power Dissipation (Multilayer Board) ($T_A = +70^\circ\text{C}$, 4-Pump WLP (derate 9.58mW/ $^\circ\text{C}$ above $+70^\circ\text{C}$)).....	766mW	Soldering Temperature (reflow)	$+300^\circ\text{C}$
		Storage Temperature Range	-65°C to $+150^\circ\text{C}$

Note 1: Package thermal resistances were obtained using the method described in JEDEC specification JESD51-7 using a four-layer board. For detailed information on package thermal considerations see <http://www.maxim-ic.com/thermal-tutorial>

Stresses beyond those listed under "Absolute Maximum Ratings" may cause permanent damage to the device. These are stress ratings only, and functional operation of the device at these or any other conditions beyond those indicated in the operational sections of the specifications is not implied. Exposure to absolute maximum rating conditions for extended periods may affect device reliability.

Package Information

WLP

Package Code	N40C1+1
Outline Number	21-100478
Land Pattern Number	Refer to Application Note 1891
Thermal Resistance, Four-Layer Board:	
Junction to Ambient (θ_{JA})	104.41 $^\circ\text{C}/\text{W}$
Junction to Case (θ_{JC})	N/A

SOT23

Package Code	U4+1C
Outline Number	21-0052
Land Pattern Number	90-0183
Thermal Resistance, Four-Layer Board:	
Junction to Ambient (θ_{JA})	290 $^\circ\text{C}/\text{W}$
Junction to Case (θ_{JC})	100 $^\circ\text{C}/\text{W}$

For the latest package outline information and land patterns (footprints), go to www.maximintegrated.com/packages. Note that a "+", "#", or "-" in the package code indicates RoHS status only. Package drawings may show a different suffix character, but the drawing pertains to the package regardless of RoHS status.

Package thermal resistances were obtained using the method described in JEDEC specification JESD51-7, using a four-layer board. For detailed information on package thermal considerations, refer to www.maximintegrated.com/thermal-tutorial.

Electrical Characteristics

($V_{CC} = 1.7\text{V}$ to 5.5V , $T_A = T_J = -40^\circ\text{C}$ to $+125^\circ\text{C}$, unless otherwise noted. Typical values are at $T_A = +25^\circ\text{C}$.)

PARAMETER	SYMBOL	CONDITIONS	MIN	TYP	MAX	UNITS
INPUT VOLTAGE						
Input Voltage Range	V_{CC}	Operating range	1.7		5.5	V
		Reset output is guaranteed to be in a known state (Note 2) (Note 3)	0		5.5	
Maximum Pullup Voltage	V_{PU_MAX}	$V_{CC} \leq 2\text{V}$			1.8 x V_{CC}	V
		$V_{CC} > 2\text{V}$			3.6V	

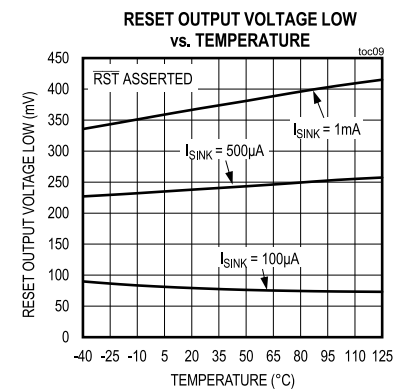
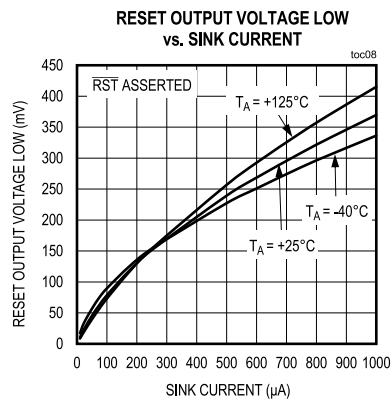
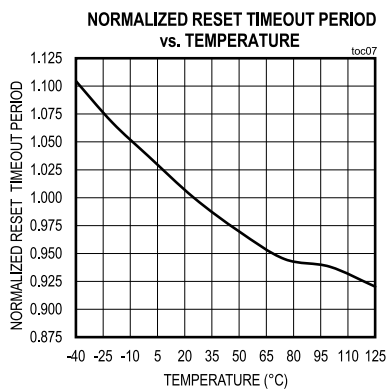
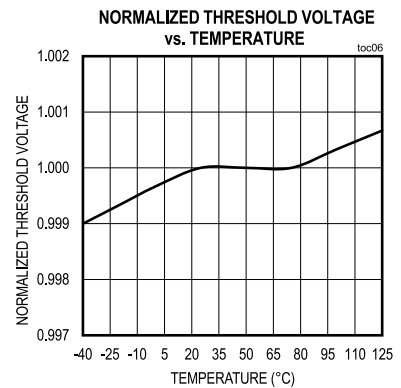
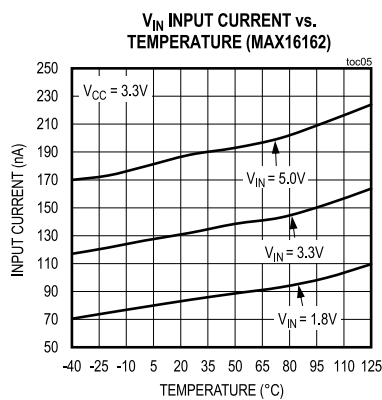
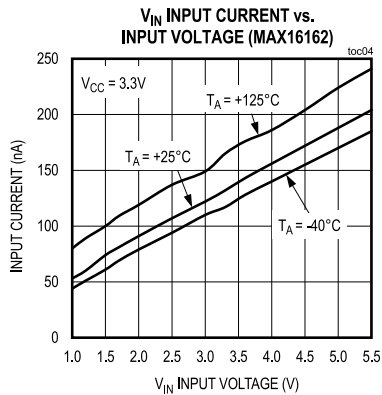
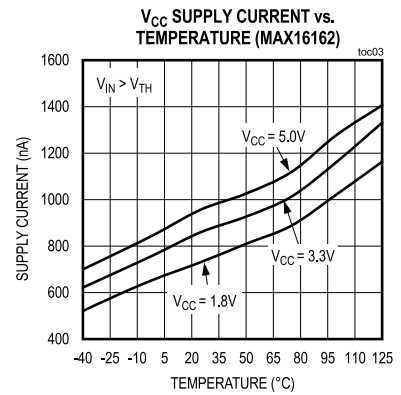
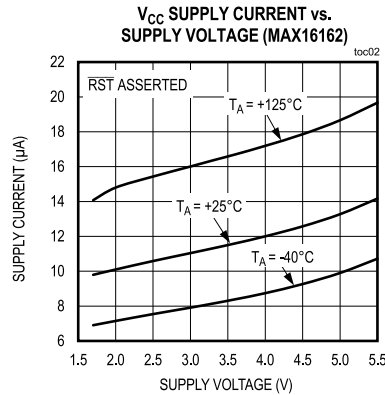
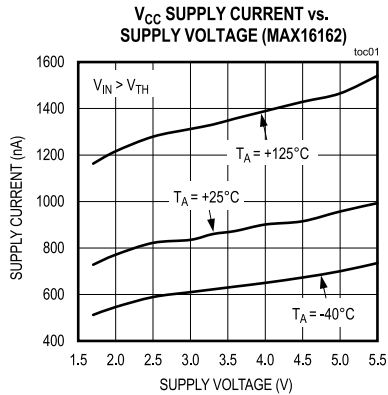
Electrical Characteristics (continued)(V_{CC} = 1.7V to 5.5V, T_A = T_J = -40°C to +125°C, unless otherwise noted. Typical values are at T_A = +25°C.)

PARAMETER	SYMBOL	CONDITIONS	MIN	TYP	MAX	UNITS
Supply Current	I _{CC}	V _{CC} = 3.3V, T _A = -40°C to +85°C, reset not asserted (MAX16161)		920	1800	nA
		Over full supply range, T _A = -40°C to +125°C (MAX16161)			2400	
		V _{CC} = 3.3V, T _A = -40°C to +85°C, reset not asserted (MAX16162)		825	1550	
		Over full supply range, T _A = -40°C to +125°C (MAX16162)			2300	
		V _{CC} = 3.3V, reset asserted (MAX16162)			12	μA
Threshold Voltage Range	V _{TH}	MAX16161	1.7		4.85	V
		MAX16162	0.6		4.85	
Threshold Voltage Accuracy	V _{TH_ACC}	V _{CC} falling (MAX16161), V _{IN} falling (MAX16162)	-1.5		+1.5	%V _{TH}
Threshold Voltage Resolution				50		mV
Threshold Voltage Hysteresis	V _{TH_HYS}	V _{CC} rising (MAX16161), V _{IN} rising (MAX16162)		1		%V _{TH}
RESET OUTPUT						
Reset Output Delay	t _D	Measured with 2.5% threshold overdrive below V _{TH}		50		μs
Reset Timeout Period Accuracy	t _{RP_ACC}	Measured from the time when the monitoring voltage crosses above V _{TH} + V _{HYS} (Note 4)	-25		+25	%
Reset Output Voltage Low	V _{OL}	V _{PU} = 3.3V, R _{PU} = 10kΩ			0.4	V
Reset Output Leakage Current					1	μA
MANUAL RESET (MAX16161)						
MR Debounce Period	t _{DB}	Level-triggered MR input		20		ms
MR Input Voltage Low	V _{IL}				0.33 x V _{CC}	V
MR Input Voltage High	V _{IH}		0.69 x V _{CC}			V
MR Internal Pullup Resistor		Active-low MR input		50		kΩ
MR Internal Pulldown Resistor		Active-high MR input		50		kΩ

Note 2: V_{CC} slew rate must be greater than 0.004mV/μs for slower power cycles.**Note 3:** For V_{CC} blackout conditions, slew rate should be less than 10mV/μs.**Note 4:** The reset timeout period is affected by the V_{CC} rise time during power-up. For a V_{CC} rise time of 10μs or faster, the additional t_{RP} is about 2ms (typ).

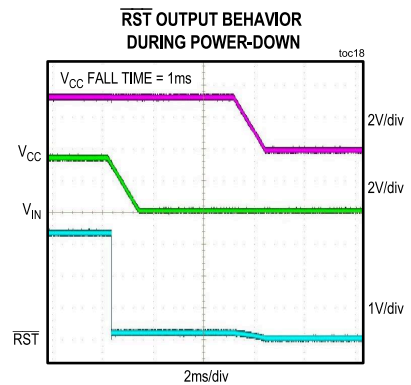
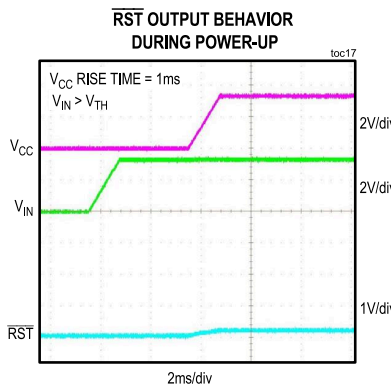
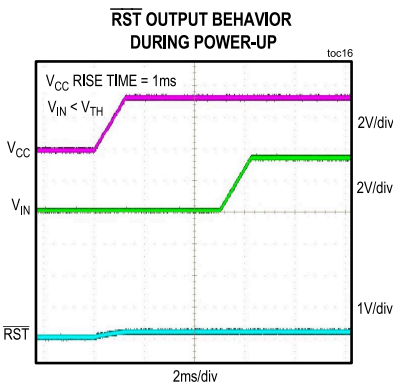
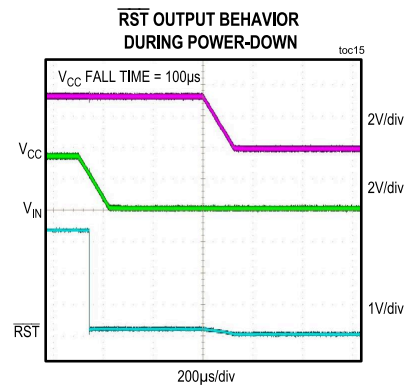
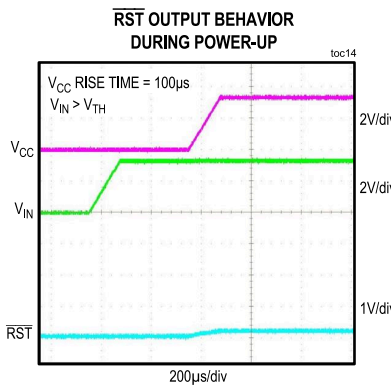
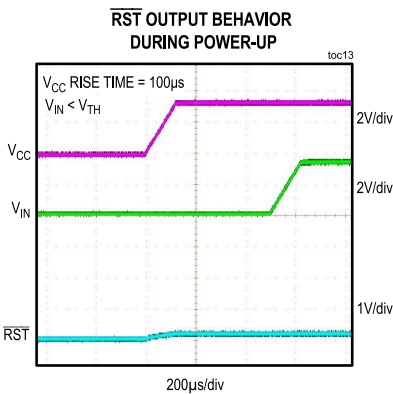
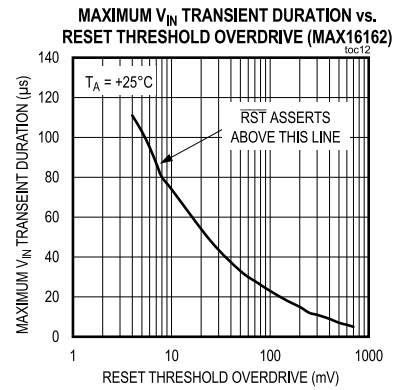
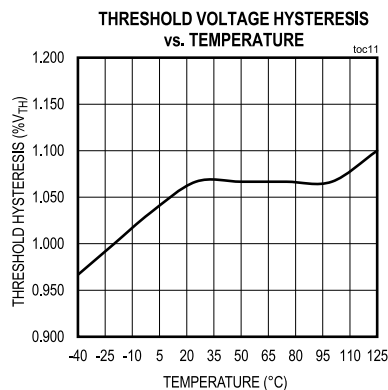
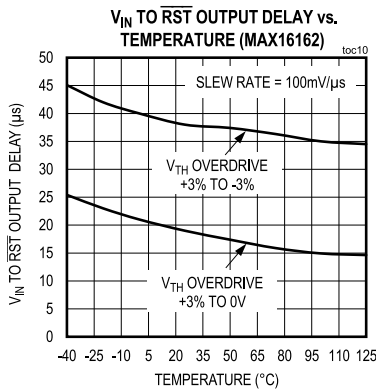
Typical Operating Characteristics

($V_{CC} = 3.3V$, $V_{IN} = 3.3V$, $V_{PU} = V_{CC}$, $T_A = -40^{\circ}C$ to $+125^{\circ}C$, $R_{PU} = 10k\Omega$ unless otherwise noted. Normalized values are with respect to $+25^{\circ}C$.)



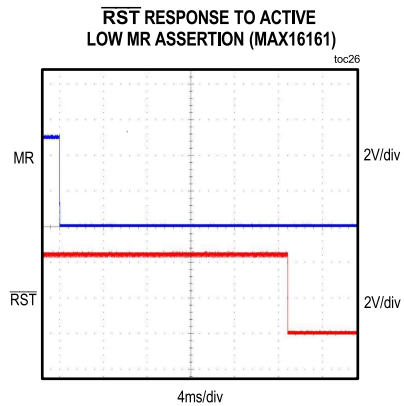
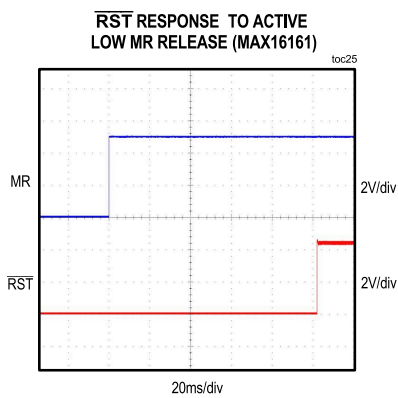
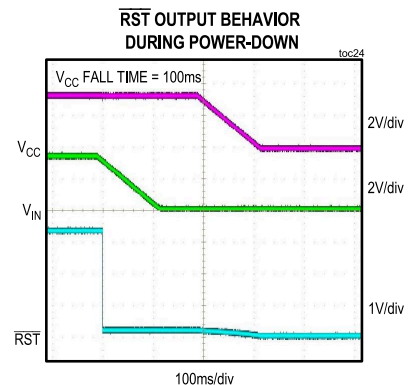
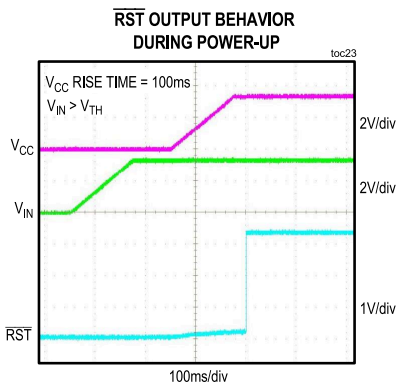
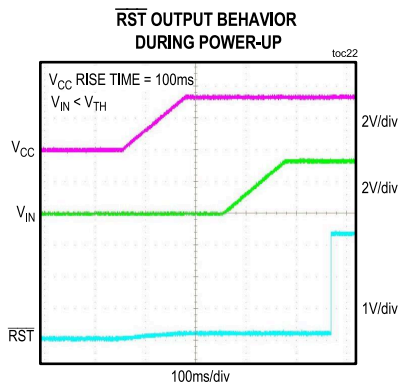
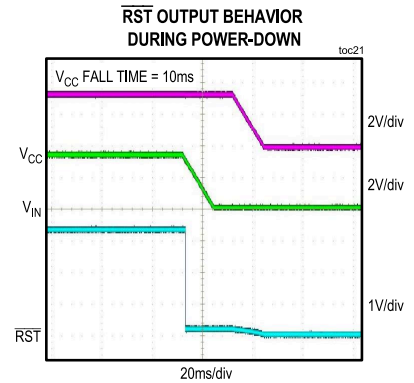
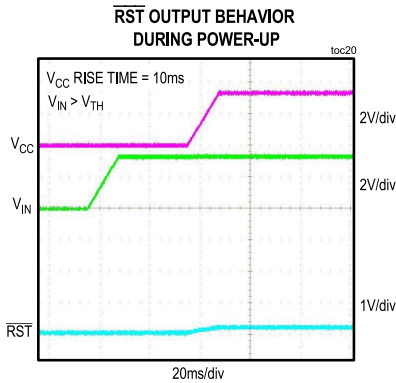
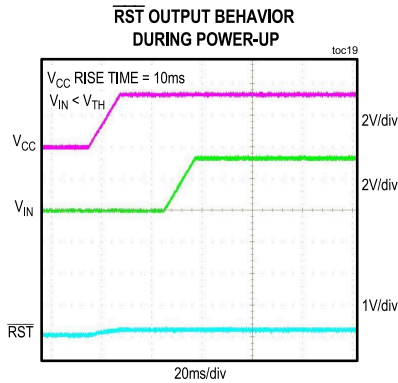
Typical Operating Characteristics (continued)

($V_{CC} = 3.3V$, $V_{IN} = 3.3V$, $V_{PU} = V_{CC}$, $T_A = -40^{\circ}C$ to $+125^{\circ}C$, $R_{PU} = 10k\Omega$ unless otherwise noted. Normalized values are with respect to $+25^{\circ}C$.)



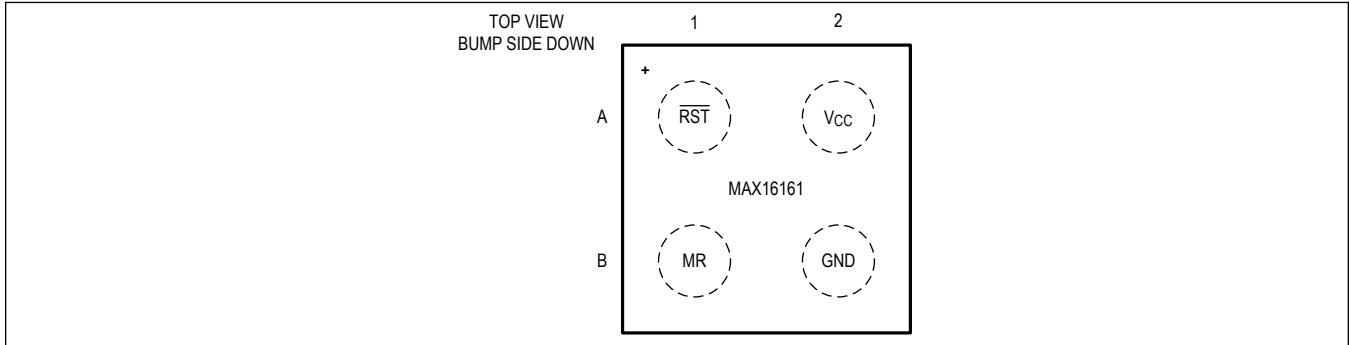
Typical Operating Characteristics (continued)

($V_{CC} = 3.3V$, $V_{IN} = 3.3V$, $V_{PU} = V_{CC}$, $T_A = -40^{\circ}C$ to $+125^{\circ}C$, $R_{PU} = 10k\Omega$ unless otherwise noted. Normalized values are with respect to $+25^{\circ}C$.)

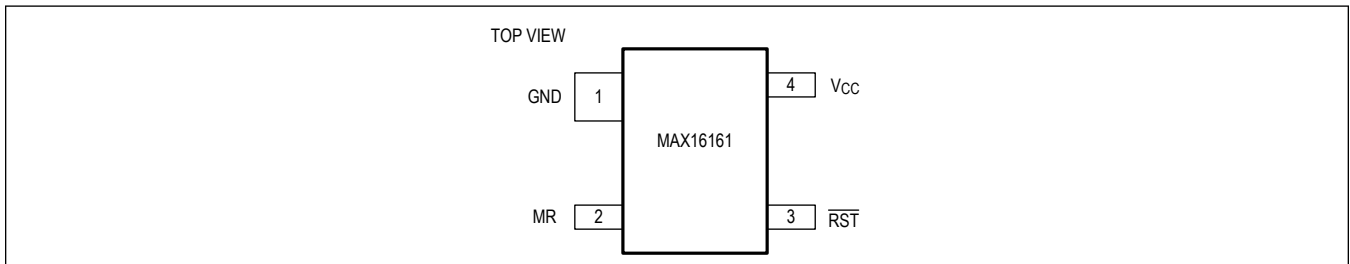


Pin Configurations

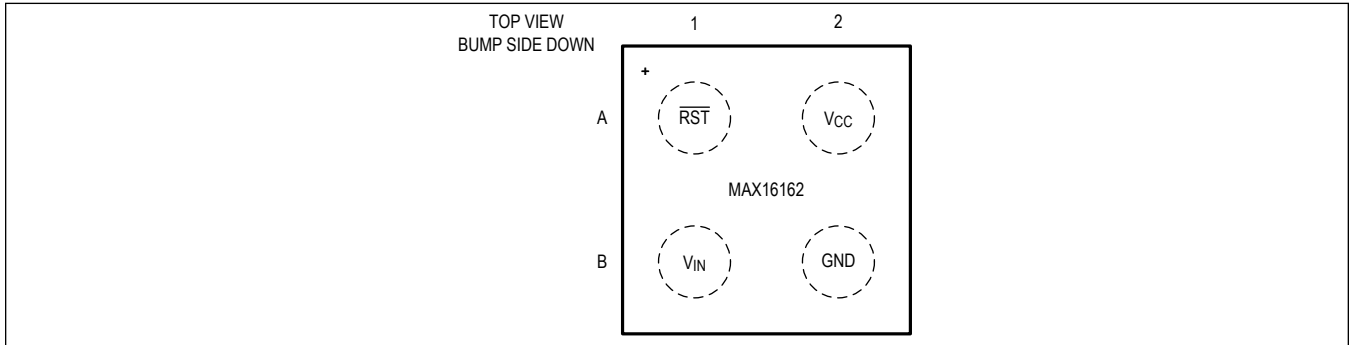
MAX16161 4-Bump WLP



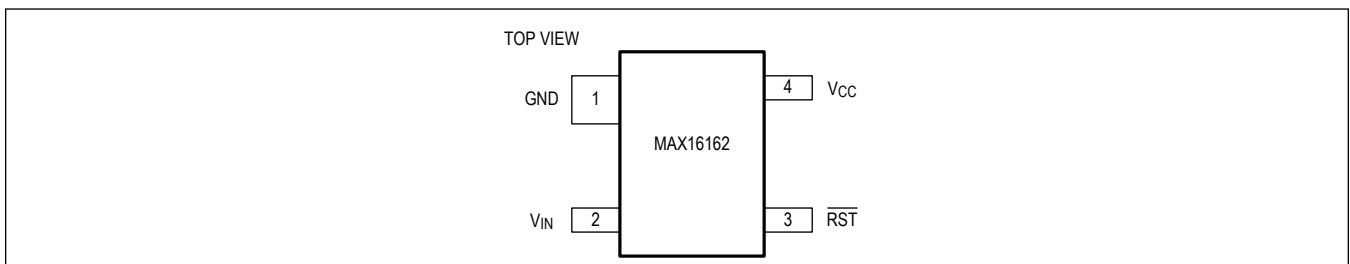
MAX16161 4-Pin SOT23



MAX16162 4-Bump WLP



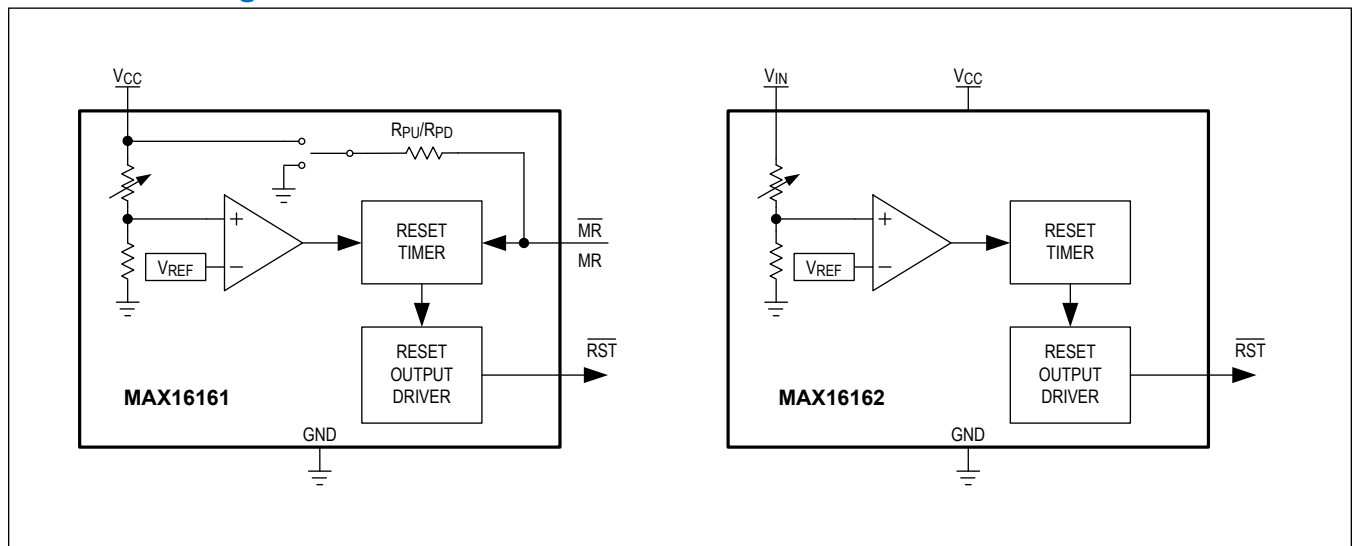
MAX16162 4-Pin SOT23



Pin Description

PIN				NAME	FUNCTION
MAX16161 4-Bump WLP	MAX16161 4-Pin SOT23	MAX16162 4-Bump WLP	MAX16162 4-Pin SOT23		
A1	3	A1	3	$\overline{\text{RST}}$	Reset Output. $\overline{\text{RST}}$ asserts when $V_{\text{CC}}/V_{\text{IN}}$ drops below the threshold voltage or when MR receives a valid input signal. $\overline{\text{RST}}$ is an active-low open-drain output and requires a pullup resistor.
A2	4	A2	4	V_{CC}	Supply Voltage. For the MAX16161, it is also the monitored voltage. Bypass V_{CC} with a 0.1 μF ceramic capacitor to GND.
B1	2	—	—	MR	Manual Reset Input. See the MAX16161 Manual Reset Input section for further details.
—	—	B1	2	V_{IN}	Monitored Voltage Input. When V_{CC} is 1.7V or greater, the MAX16162 monitors the voltage at this pin to generate a reset output.
B2	1	B2	1	GND	Ground

Functional Diagrams



Detailed Description

The MAX16161 is an ultra-low-current supervisor IC that monitors the V_{CC} voltage from 1.7V to 4.85V. It also features a manual reset input to assert the reset output using a low or high level-trigger input. The MAX16162 has separate V_{CC} and V_{IN} inputs, and it monitors the input voltage from 0.6V to 4.85V.

During normal operation when the monitored voltage falls below the factory-set threshold, the reset output asserts and remains asserted for the reset timeout period after the voltage rises above the threshold voltage.

MAX16161 V_{CC} Threshold

The MAX16161 monitors V_{CC} from 1.7V to 4.85V. The reset output asserts when V_{CC} falls below V_{TH} . Note that, unlike typical supervisors, the reset output never deasserts when the supply voltage is less than the minimum operating voltage. It always remains asserted until the correct supply voltage has been applied.

After V_{CC} rises above $V_{TH} + V_{HYST}$, the reset output remains asserted until the reset timeout period has elapsed, at which point the reset output deasserts. See the timing diagram in [Figure 1](#), which shows the behavior of an active-low reset output. Note that there is no glitch or undetermined region when the supply voltage is low.

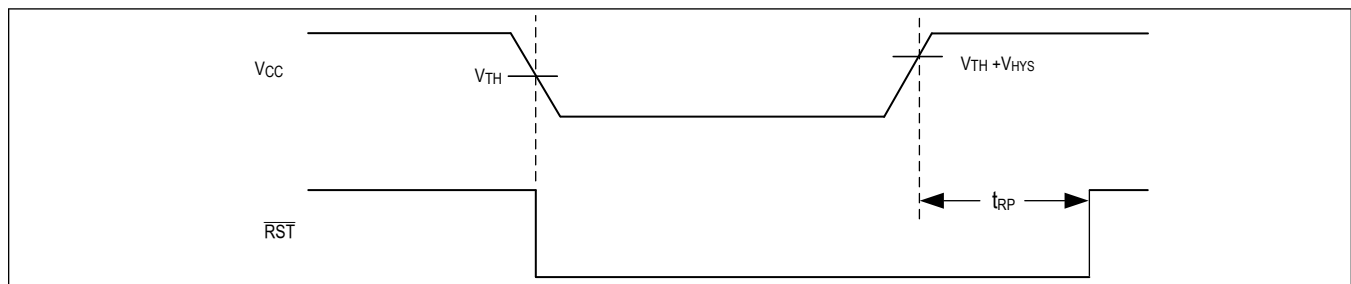


Figure 1. Active-Low Reset Response to V_{CC} Falling and Rising Edges

MAX16161 Manual Reset Input

Many systems require manual reset capability, which allows an operator, test technician, or logic signal to initiate a reset. Two manual reset input polarities are available, as shown in [Table 2](#).

The MAX16161 asserts the reset output after MR stays in the active state longer than the debounce period (t_{DB}). Once MR becomes inactive, the reset output deasserts after the reset timeout period has elapsed. See [Figure 2](#) and [Figure 3](#) for more details.

Manual Reset Input Configurations

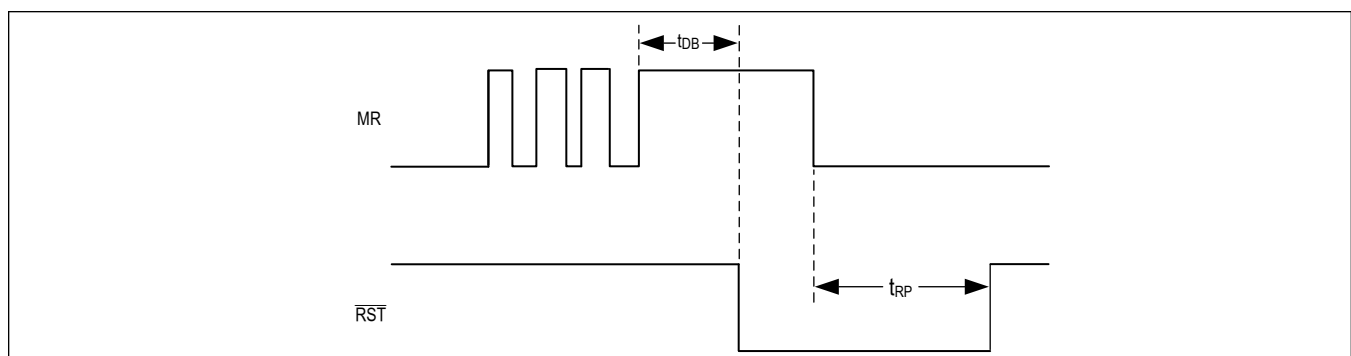


Figure 2. Active-High-Triggered Manual Reset Input Behavior

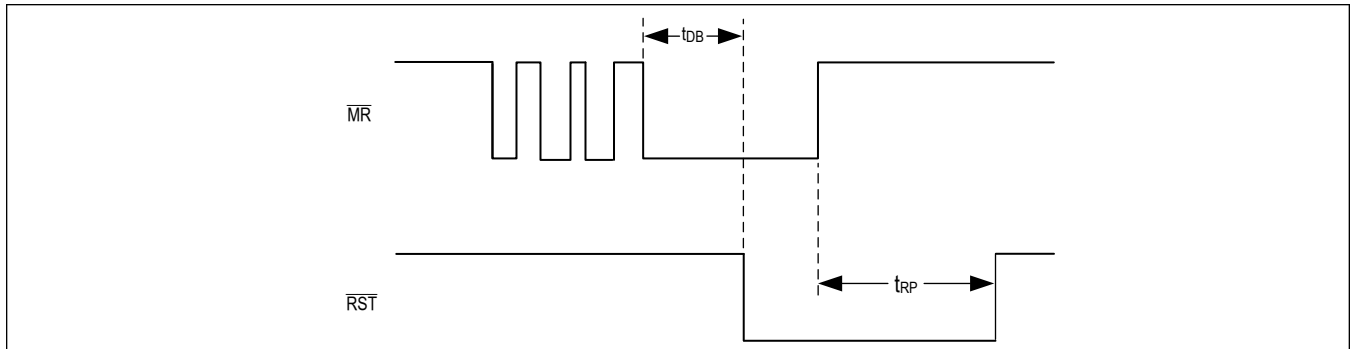


Figure 3. Active-Low-Triggered Manual Reset Input Behavior

MAX16162 V_{IN} Threshold

The MAX16162's operating supply voltage range is from 1.7V to 5.5V. V_{IN} can be connected to V_{CC} to monitor the MAX16162's supply voltage, or it can be connected to a separate supply voltage for monitoring. The threshold voltage (V_{TH}) range is from 0.6V to 4.85V. The reset output asserts when V_{IN} falls below V_{TH} . Note that, unlike typical supervisors, the reset output never deasserts to an invalid reset voltage level when the supply voltage is less than the minimum operating voltage. It always remains in a valid logic state until the correct supply voltage has been applied and the input voltage rises above the threshold.

After V_{IN} rises above $V_{TH} + V_{HYST}$, the reset output remains asserted until the reset timeout period has elapsed, at which point the reset output deasserts. See the timing diagram in the [Typical Application Circuit](#), which shows the behavior of an active-low reset output. Note that there is no glitch or undetermined region when the supply voltage is low.

Reset Output

When the supply voltage is less than the internal threshold voltage, the MAX16161/MAX16162 supervisors assert the reset output (RST) to prevent code execution errors during power-up, power-down, and brownout conditions. In contrast to conventional supervisors, which cannot guarantee the correct reset output state when the input voltage is low, the MAX16161/MAX16162 reset output state is correct for supply voltages as low as ground. Note that the reset output voltage depends on the sink current. When using a pullup resistor, ensure that its value is large enough that the reset sink current is sufficiently low to maintain the reset output voltage (V_{OL}) below the threshold voltage of the following logic input. A 100k Ω pullup resistor limits the current sufficiently to keep the output low voltage below 400mV.

When V_{CC} is below 2.0V, the reset pullup voltage (V_{PU}) is limited to $1.8 \times V_{CC}$; when V_{CC} is above 2.0V, the reset pullup voltage (V_{PU}) is limited to 3.6V. Select a pullup supply properly to avoid high current flow through the pullup resistor.

Eight different reset timeout period options are available with nominal values ranging from from 310 μ s to 2s. See [Table 1](#) for available options. See the [Selector Guide](#) for more details.

Glitch-Free Power-Up/Down

Conventional voltage supervisors require a minimum supply at V_{CC} to guarantee the correct state of RESET. Below the minimum supply, RESET voltage tracks V_{CC} voltage and causes a power-up glitch at RESET. The MAX16161/MAX16162 can sink the current through the RESET pin even if V_{CC} is 0V; this assures the valid state of RESET at a zero supply voltage and provides glitch-free power-up/down operation.

Applications Information

Power Supply Bypassing and Grounding

Bypass V_{CC} to ground with a $0.1\mu\text{F}$ capacitor as close to the device as possible. The bypass capacitor improves transient immunity. For fast transients ($>3\text{mV}/\mu\text{s}$) with a large voltage excursion ($>500\text{mV}$), a filter resistor in series with the bypass capacitor is recommended for proper device operation. See [Figure 4](#) for more detail.

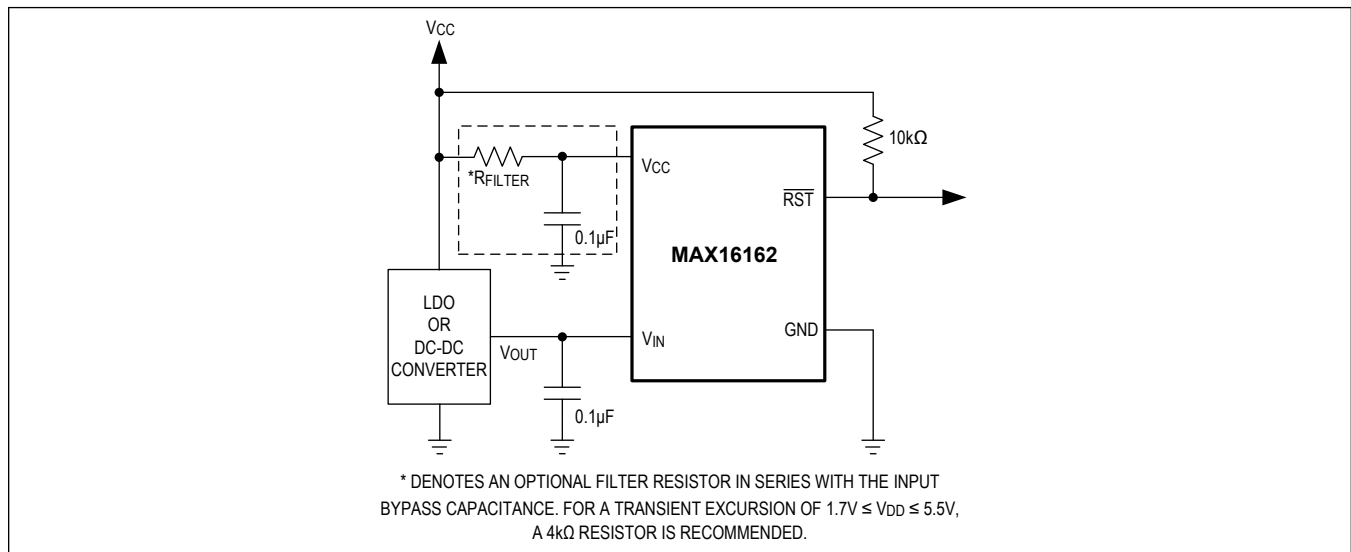


Figure 4. Power Supply Bypassing/Input Filter

Configuration Tables

Table 1. Reset Timeout Period Options

SUFFIX	RESET TIMEOUT PERIOD			UNITS
	$T_A = +25^\circ\text{C}$	$T_A = -40^\circ\text{C to } +125^\circ\text{C}$		
	TYP	MIN	MAX	
A	0.31	0.24	0.39	ms
B	10	7.50	12.5	ms
C	50	38.5	62.5	ms
D	100	75.0	125	ms
E	250	187.5	312.5	ms
F	500	375	625	ms
G	1000	750	1250	ms
H	2000	1500	2500	ms

Table 2. Manual Reset Input Options

SUFFIX	MR TRIGGER INPUT
K	Active Low
L	Active High

Table 3. Threshold Voltage Options

SUFFIX	V _{TH} (V)	SUFFIX	V _{TH} (V)	SUFFIX	V _{TH} (V)
060	0.60	210	2.10	360	3.60
065	0.65	215	2.15	365	3.65
070	0.70	220	2.20	370	3.70
075	0.75	225	2.25	375	3.75
080	0.80	230	2.30	380	3.80
085	0.85	235	2.35	385	3.85
090	0.90	240	2.40	390	3.90
095	0.95	245	2.45	395	3.95
100	1.00	250	2.50	400	4.00
105	1.05	255	2.55	405	4.05
110	1.10	260	2.60	410	4.10
115	1.15	265	2.65	415	4.15
120	1.20	270	2.70	420	4.20
125	1.25	275	2.75	425	4.25
130	1.30	280	2.80	430	4.30
135	1.35	285	2.85	435	4.35
140	1.40	290	2.90	440	4.40
145	1.45	295	2.95	445	4.45
150	1.50	300	3.00	450	4.50
155	1.55	305	3.05	455	4.55
160	1.60	310	3.10	460	4.60
165	1.65	315	3.15	465	4.65
170	1.70	320	3.20	470	4.70
175	1.75	325	3.25	475	4.75
180	1.80	330	3.30	480	4.80
185	1.85	335	3.35	485	4.85
190	1.90	340	3.40	—	—
195	1.95	345	3.45	—	—
200	2.00	350	3.50	—	—
205	2.05	355	3.55	—	—

Selector Guide

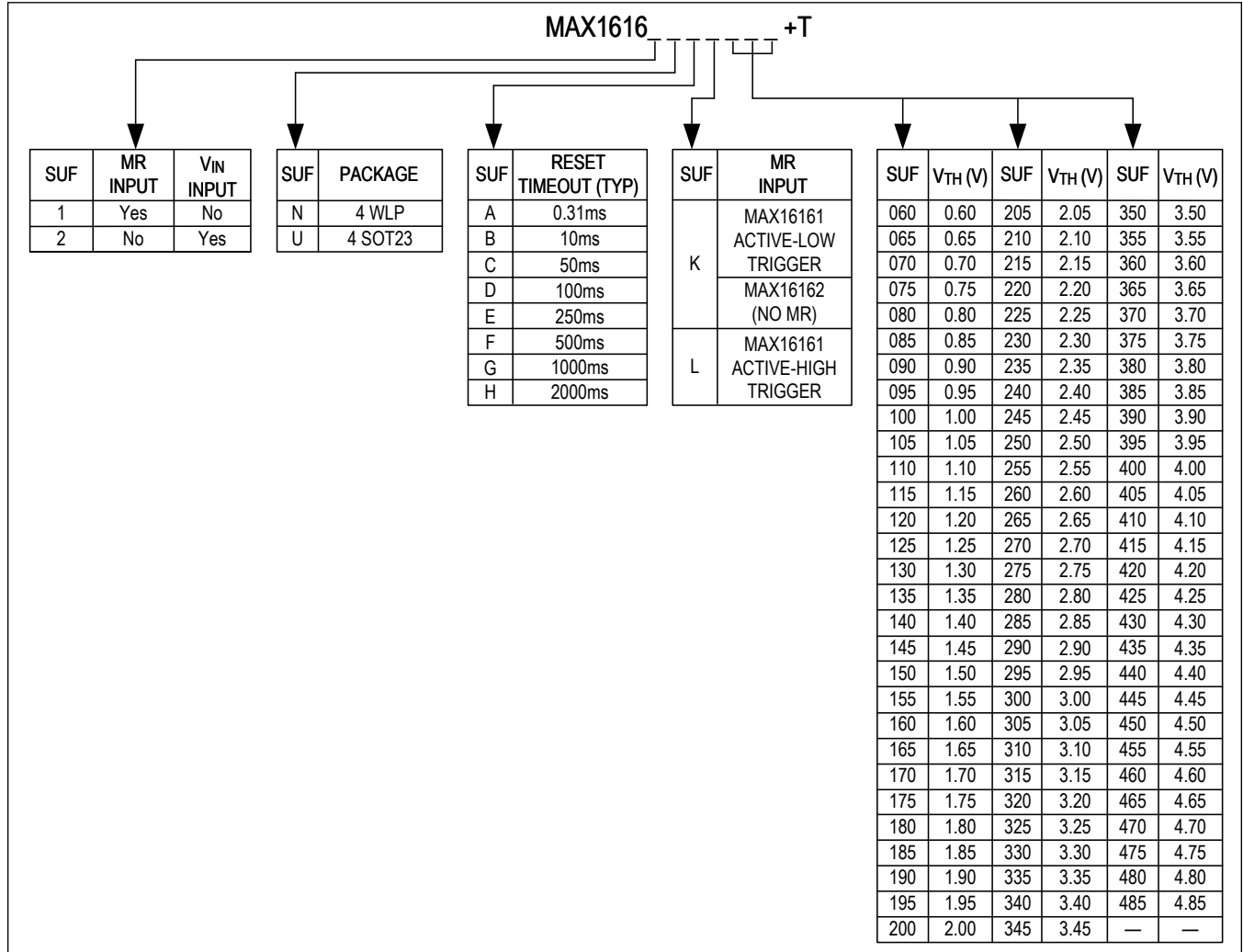


Figure 5. Selector Guide

Typical Application Circuits

Typical Application Circuit

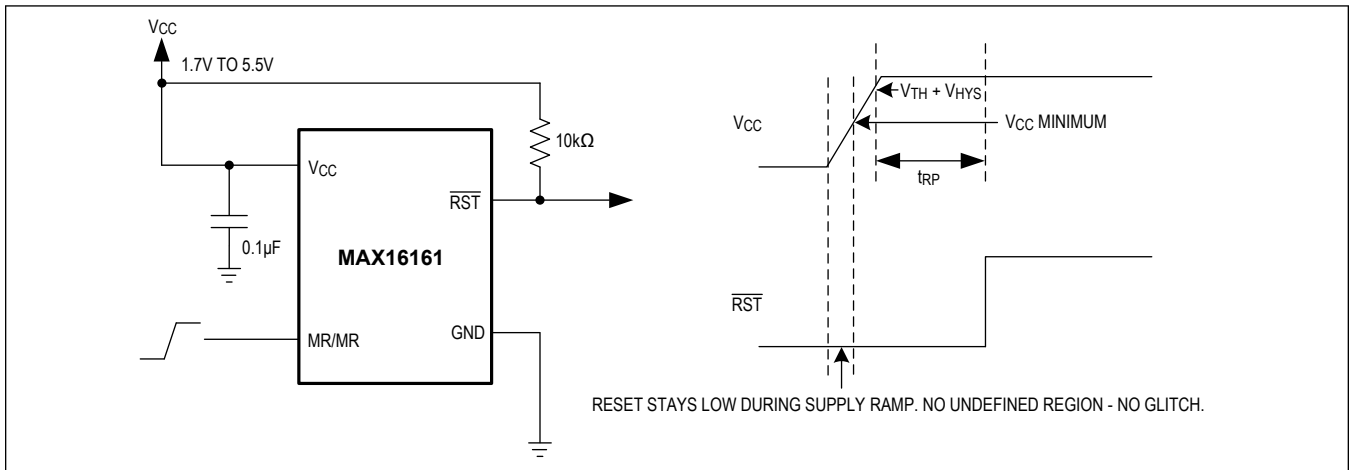


Figure 6. Typical Application Circuit (MAX16161)

Reliable Supervisor for Low-Voltage Processor Cores

The MAX16162 is capable of monitoring supply voltages from 0.6V to 4.85V. In the [Figure 7](#) typical application diagram, the MAX16162 is used to monitor the core voltage of low-power microcontrollers or FPGAs, where glitch-free power-up is necessary for reliable operation. Conventional supervisors cannot guarantee the correct reset output state when the supply voltage is low.

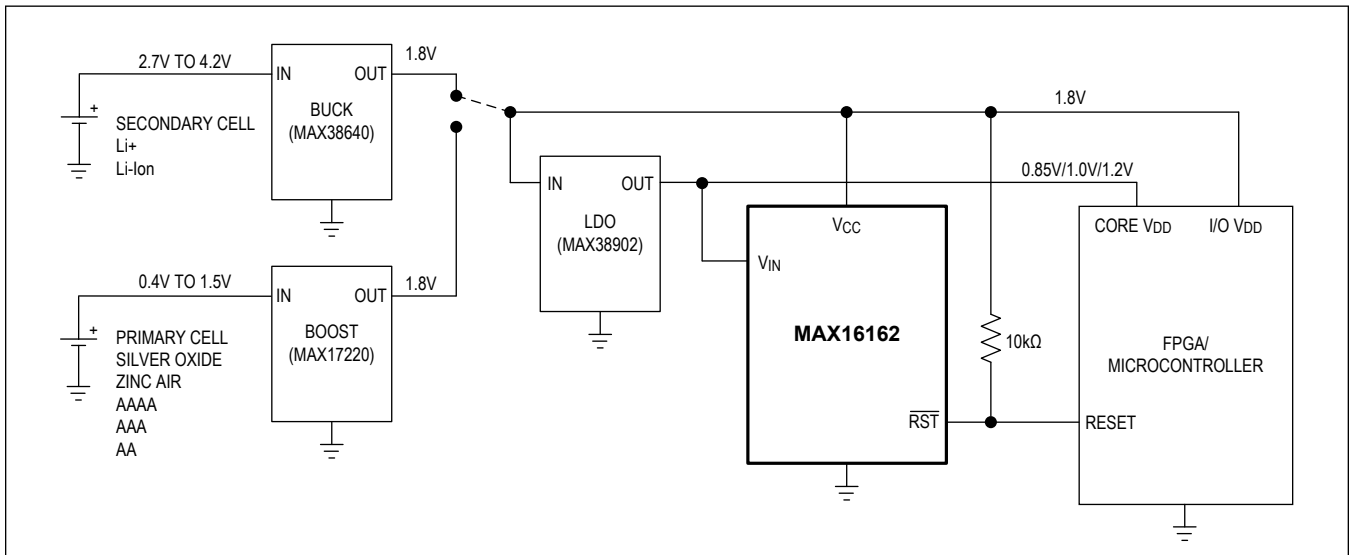


Figure 7. Low-Voltage Processor Core Application (MAX16162)

Typical Application Circuits (continued)

Simple Power Supply Sequencer

After the output voltage of the first regulator becomes valid, the MAX16161/MAX16162 insert a delay and generate the enable signal for the second regulator after the reset timeout period. Because the MAX16161/MAX16162 never deassert $\overline{\text{RST}}$ until the supply voltage is correct, the controlled supply is never incorrectly enabled. A typical application circuit is shown in [Figure 8](#).

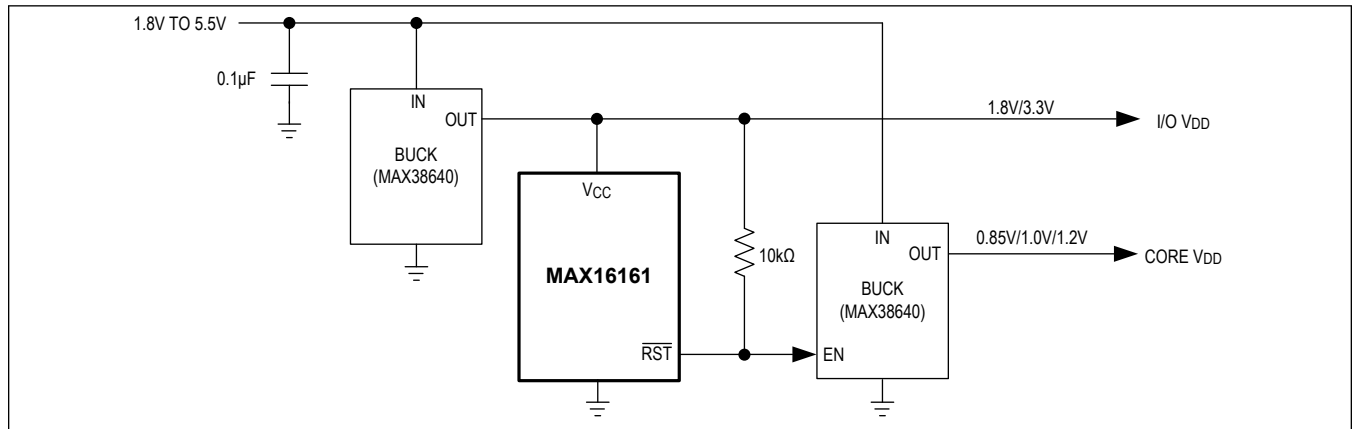


Figure 8. MAX16161 as a Simple Power Supply Sequencer

Ordering Information

PART NUMBER	TEMPERATURE RANGE	PIN-PACKAGE
MAX16162NDK300+T	-40°C to +125°C	4 WLP
MAX16162NGK190+T	-40°C to +125°C	4 WLP
MAX16162NGK175+T	-40°C to +125°C	4 WLP
MAX16161NDK300 +T	-40°C to +125°C	4 WLP
MAX16161U _____+T*	-40°C to +125°C	4 SOT23
MAX16162N _____+T*	-40°C to +125°C	4 WLP
MAX16162U _____+T*	-40°C to +125°C	4 SOT23

Minimum Order Quantity: 5k

+Denotes a lead(Pb)-free/RoHS-compliant package.

T Denotes tape-and-reel.

*Future product—contact factory for availability.

Revision History

REVISION NUMBER	REVISION DATE	DESCRIPTION	PAGES CHANGED
0	4/21	Initial release	—
1	6/21	Updated <i>Ordering Information</i> table	19
2	12/21	Updated <i>Ordering Information</i> table and <i>Typical Operating Characteristics</i>	9,18