



Datasheet

RS PRO Two-Part Enclosures Template

Stock number: 1920759

EN



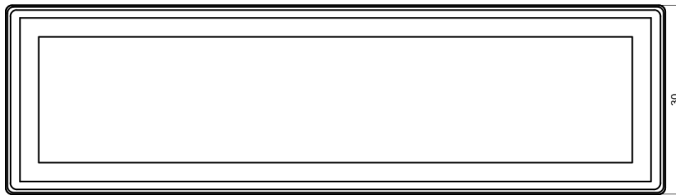
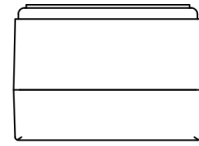
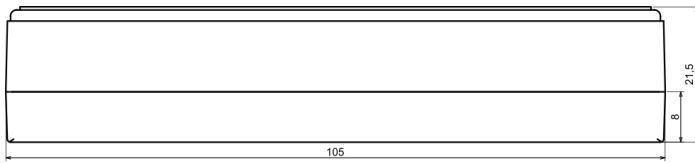
Product Details

Two-part enclosure is made of black ABS. The enclosure provides IK04 rating it is ideal for applications that doesn't require hermetic seal.

Features and Benefits

- Made of ABS
- Available in black color
- Shock protection level: IK04 rating

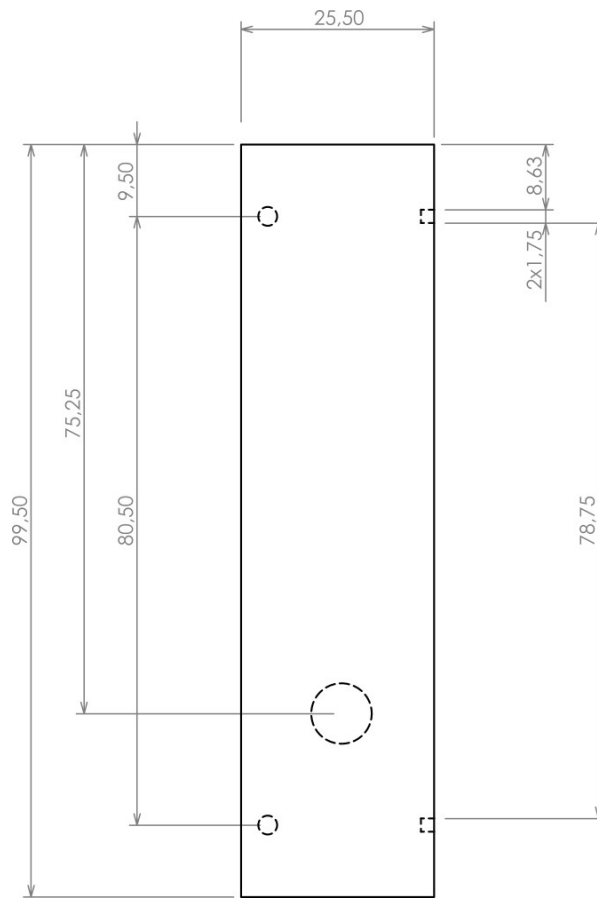
rspro.com



Category	Two-part Enclosures
Type	Full
Material	ABS
Option	Without gasket
Height	21.0 mm
Width	30.0 mm
Length	105.0 mm
Colour	Black
Property class	IK04
Standards Met	RoHS Compliant
Certificate number	CE/031/18



Max PCB size



Dashed line shows outline of the mounting boss under PCB board
Recommended mounting holes diameter $\varnothing 3,5\text{mm}$
All dimensions are given within $\pm 0,5\text{mm}$ tolerance