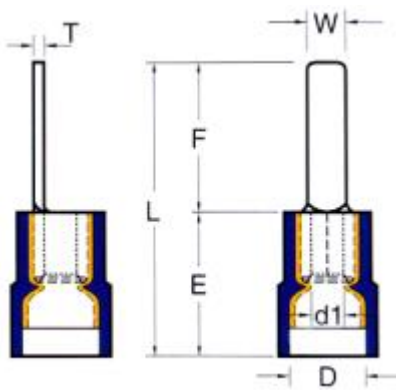


Datasheet

Insulated Crimp Blade Terminal

RS Stock number [267-4467](#)

Dimensions: (mm)



Specifications

- Maximum Electric Current: 22-16 AWG : 19 Ampere
- Maximum Electrical Rating: 105cXC 600 Volts Max
- Insulation Material: Nylon
- Terminal Material: Copper