



Datasheet

RS PRO 1.5m D15 to D15 M-F Serial Cable

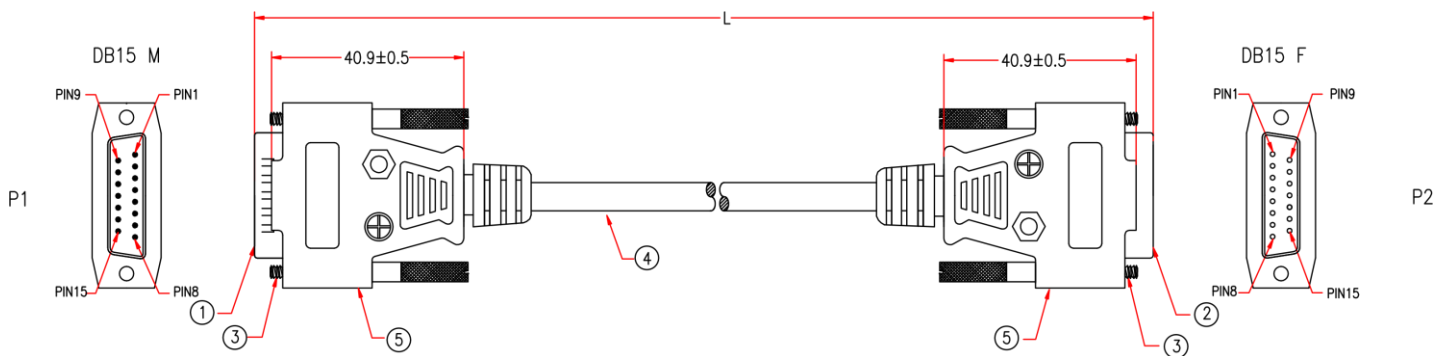
Stock number: 2369144

EN

The RS PRO 1.5m D15 Male to D15 Female Serial cable has all 15 pins connected in a straight-through configuration using grey cable.

The connector hoods are made of metal and have a strain relief on the end of the hood to support the cable and to stop the cable from splitting around the hood.

- DB15
- Thumbscrews
- All pins connected
- 28 AWG
- Shield and Drain
- Gold flashed contacts
- Pin to Pin straight through configuration



RoHS / REACH / CE / UKCA

rspro.com