



EN

Datasheet

RS PRO NYLON-INSULATED CORD END TERMINALS (FERRULES)

Stock number: **2069701**

MAXIMUM ELECTRIC CURRENT:

A.W.G.	4/0
AMP.	360

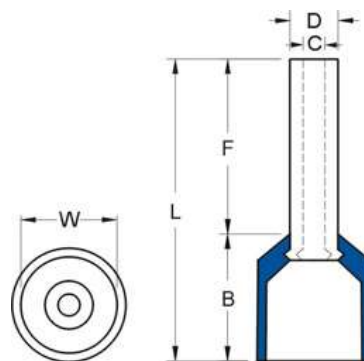
MAXIMUM ELECTRICAL RATING: 105°C 600 VOLTS MAX.

TERMINAL MATERIAL: COPPER TUBE

SURFACE TREATMENT: TIN PLATE

INSULATION MATERIAL: NYLON

INSULATION COLOR: BLUE



WIRE RANGE A.W.G. mm ²	DIMENSION inch(mm)					
	F	L	W	B	D	C
4/0	1.063	1.874	0.799	0.811	0.697	0.657
A.W.G.	27	47.6	20.3	20.6	17.700	16.7
120						
mm ²						