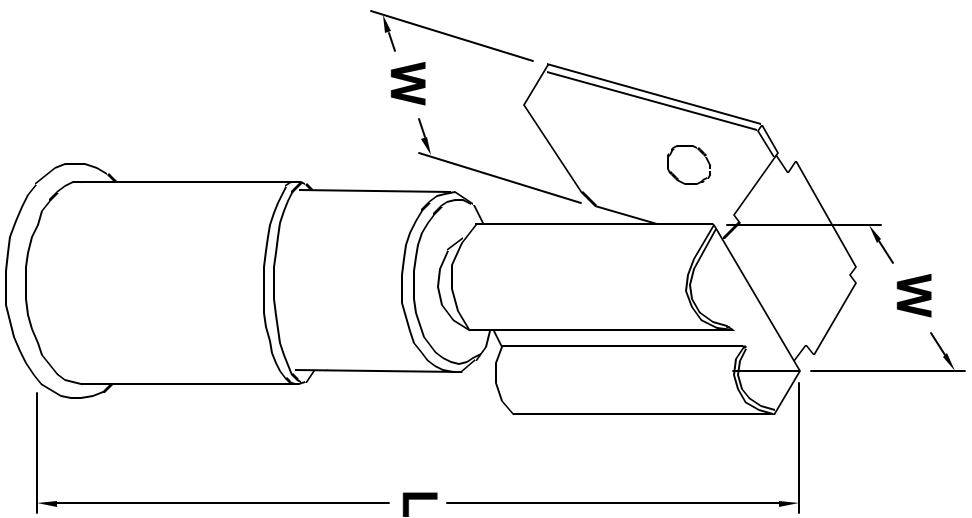


ALL RIGHTS RESERVED. NO PORTION OF THIS PUBLICATION, WHETHER IN WHOLE OR IN PART CAN BE REPRODUCED WITHOUT THE EXPRESS WRITTEN CONSENT OF SPC TECHNOLOGY.

REVISIONS		DOC. NO.	SPC-F005	Effective:	12/21/98	Doc No.	880
DCP #	REV	DESCRIPTION	DRAWN	DATE	CHECKD	DATE	APPRVD
1199	A	RELEASED	JWM	01/03/01	HO	3/4/02	DJC

- NOTES:**
1. Material: Tin-plated Copper
  2. Vinyl (PVC) Insulated
  3. Butted Seams
  4. Operating Temp: -40°F to 221°F [-40°C~105°C]
  5. UL listed and CSA certified for 600V building wire and 1,000V signs and lighting fixtures (luminaries).



SPC Type No.	Wire Range (AWG)	Mates with Female & Male Width (W) x Thickness	L	Barrel Length	Barrel I.D.	Max. Insulation Diameter	Color
CBR-TV-1416	16 ~ 14	.250 x .032	0.87	0.23	.070	.145	Blue
CBR-TV-1822	22 ~ 18				.090	.170	Red

**DISCLAIMER**  
 ALL STATEMENTS AND TECHNICAL INFORMATION CONTAINED HEREIN ARE BASED UPON INFORMATION AND/OR TESTS WE BELIEVE TO BE ACCURATE AND RELIABLE. SINCE CONDITIONS OF USE ARE BEYOND OUR CONTROL, THE USER SHALL DETERMINE THE SUITABILITY OF THE PRODUCT FOR THE INTENDED USE AND ASSUME ALL RISK AND LIABILITY WHATSOEVER IN CONNECTION THEREWITH.



E58918

LR22190M6

Tolerances: Unless Otherwise Specified:		DATE:
X = ±.015	JEFF McVICKER	01/03/01
.XX = ±.010	CHECKED BY:	DATE:
.XXX = ±.005	Hinsam Odiah	3/4/02
	APPROVED BY:	DATE:
	Daniel Carey	3/4/02



**SPC TECHNOLOGY**

DRAWING TITLE:		DRAWING NO.		ELECTRONIC FILE		REV
Multi-Stack Disconnect Terminals		TA-478		TA-478.dwg		A
SCALE:	NTS	U.O.M.:	INCHES [mm]	SHEET:	1	OF 1