

## Datasheet

### Sub-Miniature Toggle Switch

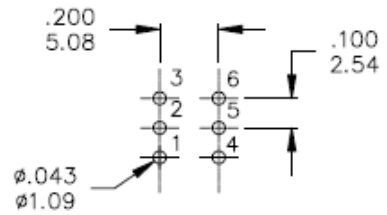
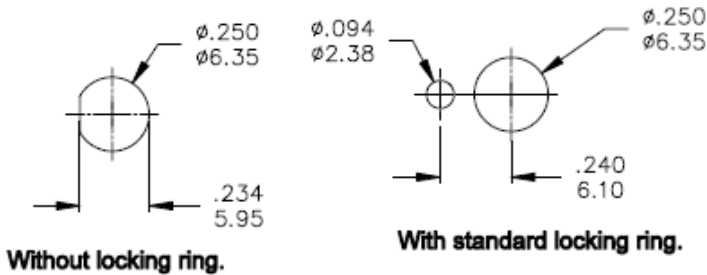
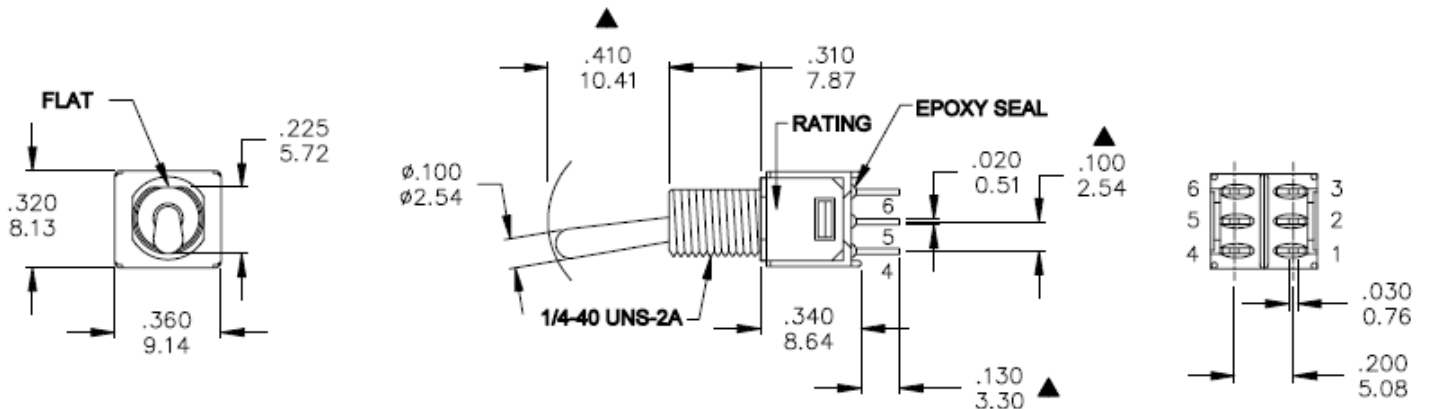
RS Stock number 734-7191



#### Specifications:

MECHANICAL LIFE:	30,000 make-and-break cycles.
CONTACT RESISTANCE:	20m $\Omega$ max. initial @ 2-4VDC 100mA for both silver and gold plated contacts
INSULATION RESISTANCE:	1000M $\Omega$ min.
DIELECTRIC STRENGTH:	1,000Vrms min. @ sea level.
OPERATING TEMPERATURE:	-30°C to 85°C.
CASE:	Diallyl Phthalate (DAP) (UL94v-0)
ACTUATOR:	Brass, chrome plated
BUSHING:	Brass, nickel plated
HOUSING:	Stainless Steel
CONTACT/TERMINAL:	Brass, with silver or gold plated copper
SWITCH SUPPORT:	Brass, tin plated

**Dimensions – inch  
mm**



**PANEL MOUNTING**

**P.C. MOUNTING**

Model No.	POS.1	POS.2	POS.3
2MD1	ON	NONE	ON
Term. Comm.	2-3,5-6	N/A	2-1,5-4
SCHEMATIC			

**SWITCH FUNCTION**