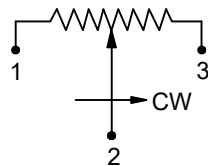
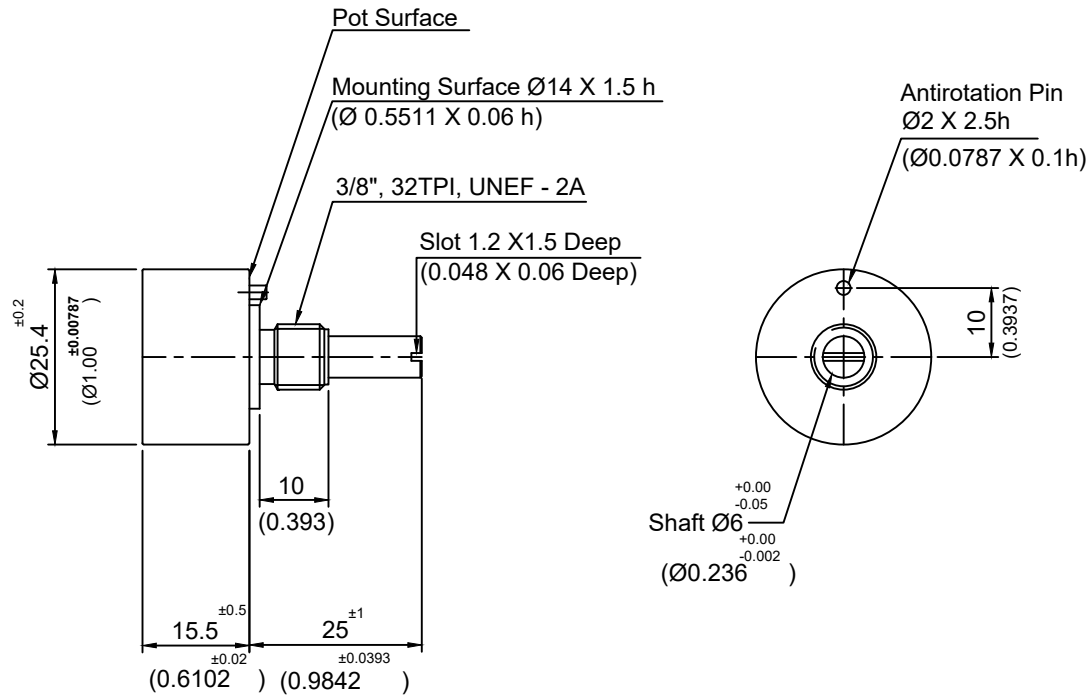
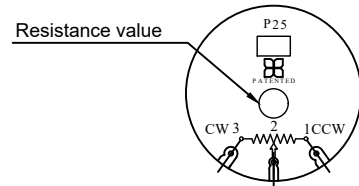


Dimensions :- Metric (Inch)



Electrical Schematic Diagram



Rear Side View

ELECTRICAL CHARACTERISTICS	UNITS	VALUE
Resistance Element...	--	Wire Wound
Resistance value...	Ohms	50,100, 500, 1k,2k,5k,10k. Other values upto 100k
Standard Resistance Tolerances....	%	±10
Standard Independent Linearity Tolerances..(IEC 393)...	%	± 1
Electrical angle...(Smaller angles optional)	Degrees	270° ± 5°
Equivalent Noise Resistances...	Ohms	<100
Resolution...	--	As per turns
Temperature Coefficient of Resistance (TCR)...	ppm/deg C	± 50 Up to 1k ohms ±150 for other values.
Power Rating @ 70° C...	Watts	1
Insulation Resistance @ 500 Vdc...	M Ohms	1000
Dielectric Strength @ 50 Hz...	V ac	500
Maximum Wiper current...	mAmps	1
Short time wiper current 10 sec. ...	mAmps	10
End Resistance...	%	< 0.1 OR 5 Ohms which is higher

MECHANICAL CHARACTERISTICS :-

Rotation (Mechanical Angle) With stop...	Degrees	285° ± 5°
Bearing Type...	--	Sleeve
Torque... Starting...	Nmm (Oz inch)	15 (2.124)
Torque... Running...	Nmm (Oz inch)	10 (1.41)
Axial Play...	m.m.(inch)	0.2 (0.00787)
Radial Play...	m.m.(inch)	0.2 (0.00787)

ENVIRONMENTAL CHARACTERISTICS :-

Operating Temperature...	Degrees C	- 40 to +105
--------------------------	-----------	--------------

PERFORMANCE :-

Rotational Life (shaft Revolutions).....	Nos.	100,000
--	------	---------

MATERIALS OF CONSTRUCTION:-

Housing...	--	Engineering Plastics
Shaft...	--	Brass nickel plated
Terminals...	--	Brass Silver plated
Mounting Hardware ...	--	Lock Washer-steel + Nut-Brass, A/F 14 X 3 mm,both Nickel plated
Bushing...	--	Brass Nickel Plated

Soldering Recommendation :- Use soldering Iron at 350° C for 3 second maximum.

Clean the soldered pads with Isopropyl alcohol after soldering. Continuous improvements are being made for enhancing performance for customer benefit in product design & process. The product supplied may be slightly different than described by above specifications

SINGLE TURN POTENTIOMETER WIRE WOUND

MODEL P25 (255)

REV - 00

SHEET

1 of 1

