

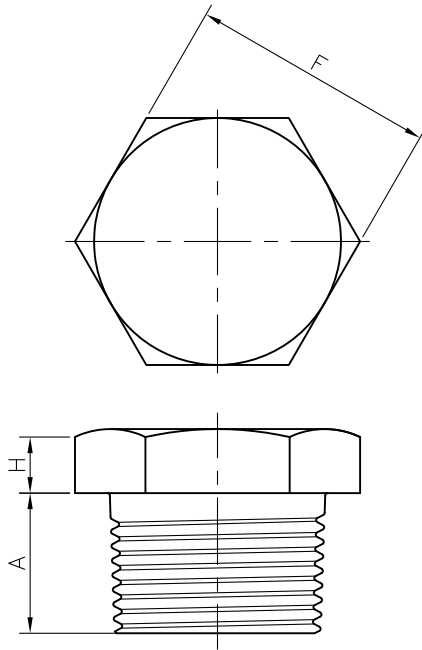
Product Datasheet

High Pressure Fitting



Hex Head Plug

ASME B16.11



3000 LB								
RS Code	Size		A(Min)		F		H(Min)	
	DN	NPS	mm	in	mm	in	mm	in
826-7021	8	1/4"	11	0.43	15.88	0.63	6	0.24
826-7024	10	3/8"	13	0.51	17.46	0.69	8	0.31
826-7028	15	1/2"	14	0.55	22.23	0.88	8	0.31
826-7037	20	3/4"	16	0.63	26.99	1.06	10	0.39
826-7030	25	1"	19	0.75	34.93	1.38	10	0.39
826-7034	32	1-1/4"	21	0.83	44.45	1.75	14	0.55
826-7043	40	1-1/2"	21	0.83	50.8	2	16	0.63
826-7046	50	2"	22	0.87	63.5	2.5	18	0.71