

FEATURES

- 12 V dc Supply Voltage
- Sintered bronze bearings
- Spur gear head
- Five pole armature with VDR suppression

RS PRO, 12 V dc, 30 Ncm DC Geared Motor, Output Speed 5 rpm

RS Stock No.: 258-8372



RS Professionally Approved Products bring to you professional quality parts across all product categories. Our product range has been tested by engineers and provides a comparable quality to the leading brands without paying a premium price.

Product Description

From RS PRO, this DC geared motor is ideal for low speed applications that require high starting torque. The brushed motor ensures a low cost and simplified design, while offering versatility and reliability. A robust unit with a high quality five pole armature, this DC motor is fitted with an all metal gearhead with sintered iron gears running on hardened steel shafts. With a spur gearbox, the output shaft runs in sintered bronze bearings that facilitate high torque transfer from the motor through the gearbox. The gear motor features a durable construction, and is designed for most low voltage applications, providing a 5 rpm no-load speed.

General Specifications

Output Speed (No Load)	5rpm
Gearhead Type	Spur
Power Rating	1.718 W
Applications	Vending machines, Magnetic card readers, Printer mechanisms, Actuators, All types of coin control systems

Electrical Specifications

Supply Voltage	12V dc
Current at Max. Torque	30Ncm
Maximum Output Torque	5Nm

Mechanical Specifications

Shaft Diameter	5mm
Core Construction	Iron Core
Dimensions	68.8mm x 27.7mm
Length	68.8mm
Width	27.7mm

DC Geared Motors

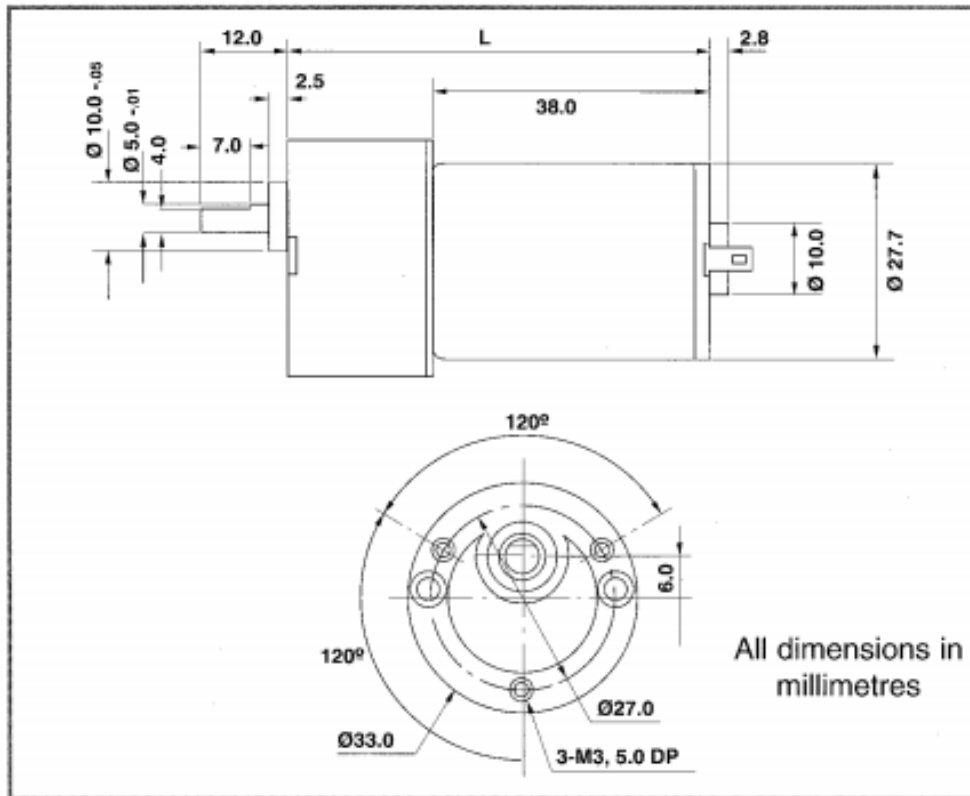
Weight	140g
---------------	------

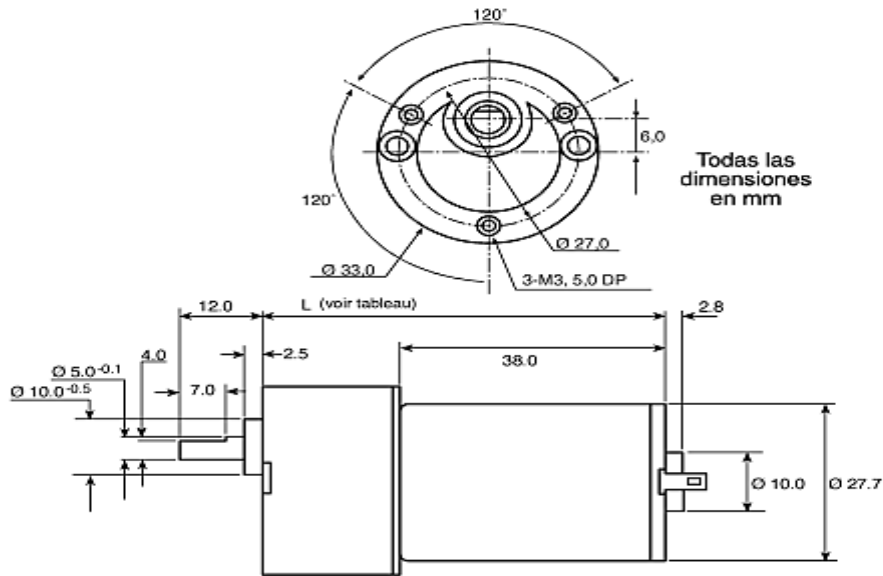
Gearbox Housing Material	Metal
Radial Load (10mm from flange)	50N
Shaft Axial Load	33N
Radial Play of Shaft	0.08mm
Thrust Play of Shaft	0.50mm

Approvals

Compliance/Certifications	2011/65/EU and 2015/863
Standards Met	ANSI/ESD S20.20:2014 and BS EN 61340-5-1:2007







Type	Voltage(V)	Ratio	*Output Rotation	Length (L) (mm)	Maximum Torque (mNm)	Nominal No load speed rev/min	Nominal No load current mA
0132-0008	12	8:1	CCW	57.8	50	700	70
0196-0008	12					460	50
0267-0008	24					680	50
0380-0008	24					475	30
0132-0020	12	20:1	CW	57.8	100	280	70
0196-0020	12					180	50
0267-0020	24					270	50
0380-0020	24					190	30
0132-0050	12	50:1	CCW	57.8	200	110	70
0196-0050	12					70	50
0267-0050	24					105	50
0380-0050	24					75	30
0132-0125	12	125:1	CW	62.3	300	44	70
0196-0125	12					29	50
0267-0125	24					43	50
0380-0125	24					30	30
0132-0312	12	312:1	CCW	62.3	300	18	70
0196-0312	12					11	50
0267-0312	24					17	50
0380-0312	24					12	30
0132-0781	12	781:1	CW	66.8	300	7	70
0196-0781	12					5	50
0267-0781	24					7	50
0380-0781	24					5	30
0132-1953	12	1953:1	CCW	66.8	300	3	70
0196-1953	12					2	50
0267-1953	24					3	50
0380-1953	24					2	30

* The motors are bidirectional; the rotation listed is achieved with positive supply connected to +ve terminal on motor.

